



170.IU0.LFS.0C0

05/2004



- USER MANUAL
- MANUEL DE SERVICE
- BEDIENUNGSANLEITUNG
- ISTRUZIONI D'USO

LFS

INDEX

MOUNTING REQUIREMENTS	1
OUTLINE AND CUT OUT DIMENSIONS	2
CONNECTION DIAGRAMS	3
PRELIMINARY HARDWARE SETTINGS	9
CONFIGURATION PROCEDURE	10
OPERATIVE MODE	18
Display function	18
Indicators	18
Pushbutton function during operating mode	19
Enable/disable the control output	20
SP/SP2 selection	20
OUT 1 failure detection function	20
Direct access to the set point	20
Manual function	21
Serial link	21
Lamp test	22
SMART function	22
OPERATIVE PARAMETERS	23
ERROR MESSAGES	26
GENERAL INFORMATION	28
MAINTENANCE	32
DEFAULT PARAMETERS	A.1

INDEX

MONTAGE	1
DIMENSIONS ET PERCAGE	2
RACCORDEMENTS ELECTRIQUES	3
MISE AU POINT PRELIMINAIRE	9
PROCEDURES DE CONFIGURATION	10
DIALOGUE UTILISATEUR	18
Fonctionnement de l'indicateur	18
Indicateurs	18
Fonctionnement des touches pendant le dialogue utilisateur	19
Autorisation/invalidation de la sortie de régulation	20
Sélection consigne principale ou auxiliaire	20
Alarme d'anomalie de la sortie 1	20
Modification directe du point de consigne	20
Fonctionnement manuel	21
Liaison numérique	21
Lamp Test	22
Fonction SMART	22
PARAMETRES DE FONCTIONNEMENT	23
MESSAGES D'ERREUR	26
CARACTERISTIQUES TECHNIQUES	28
ENTRETIEN	32
DEFAULT PARAMETERS	A.1

INHALTSVERZEICHNIS **D**

MONTAGE	1
ABMESSUNGEN UND FRONTTAFELAUSSCHNITT	2
ELEKTRISCHE ANSCHLÜSSE	3
HARDWAREEINSTELLUNGEN	9
KONFIGURATION	10
BETRIEBSMODUS	18
Funktionen des Display	18
Anzeiger	18
Auswirkung der Betätigung der Tasten während des Betriebs	19
Aktivierung/Deaktivierung des Regelausgangs	20
Umschaltung Sollwert 1 / Sollwert 2	20
Alarmstörung an Ausgang 1	20
Direkte Änderung des Sollwerts	20
Manueller Betrieb	21
Serielle Schnittstelle	21
Lampen Test	22
SMART-Funktion	22
BETRIEBSPARAMETER	23
FEHLERMELDUNGEN	26
TECHNISCHE MERKMALE	28
WARTUNG	32
DEFAULT PARAMETERS	A.1

INDICE **I**

MONTAGGIO	1
DIMENSIONI E FORATURA	2
COLLEGAMENTI ELETTRICI	3
IMPOSTAZIONI HARDWARE PRELIMINARI	9
PROCEDURE DI CONFIGURAZIONE	10
MODO OPERATIVO	18
Funzionalità del visualizzatore	18
Indicatori	18
Operatività dei tasti durante il modo operativo	19
Abilitazione/disabilitazione dell'uscita regolante	20
Selezione del set point operativo	20
Allarme di anomalia sull'uscita 1	20
Modifica diretta del set point	20
Funzionamento in modo MANUALE	21
Interfaccia seriale	21
Lamp Test	22
Funzione SMART	22
PARAMETRI OPERATIVI	23
MESSAGGI DI ERRORE	26
CARATTERISTICHE TECNICHE	28
MANUTENZIONE	32
DEFAULT PARAMETERS	A.1



MOUNTING REQUIREMENTS

Select a location, for instrument mounting, where minimum vibrations are present and the ambient temperature is within 0 and 50 °C (32 and 122°F). The instrument can be mounted on a panel up to 15 mm thick with a square cutout of 45 x 45 mm. For outline and cutout dimensions refer to Fig. 2. The surface texture of the panel must be better than 6,3 µm.

The instrument is shipped with rubber panel gasket (50 to 60 Sh).

To assure the IP65 and NEMA 4 protection, insert the panel gasket between the instrument and the panel as show in fig. 1.

While holding the instrument against the panel proceed as follows:

- 1) insert the gasket in the instrument case;
- 2) insert the instrument in the panel cutout;
- 3) pushing the instrument against the panel, insert the mounting bracket;
- 4) with a screwdriver, turn the screws with a torque between 0.3 and 0.4 Nm.

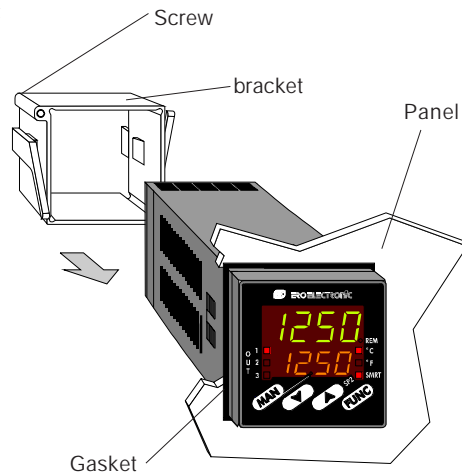


Fig. 1

GB 1



OUTLINE AND CUT OUT DIMENSIONS

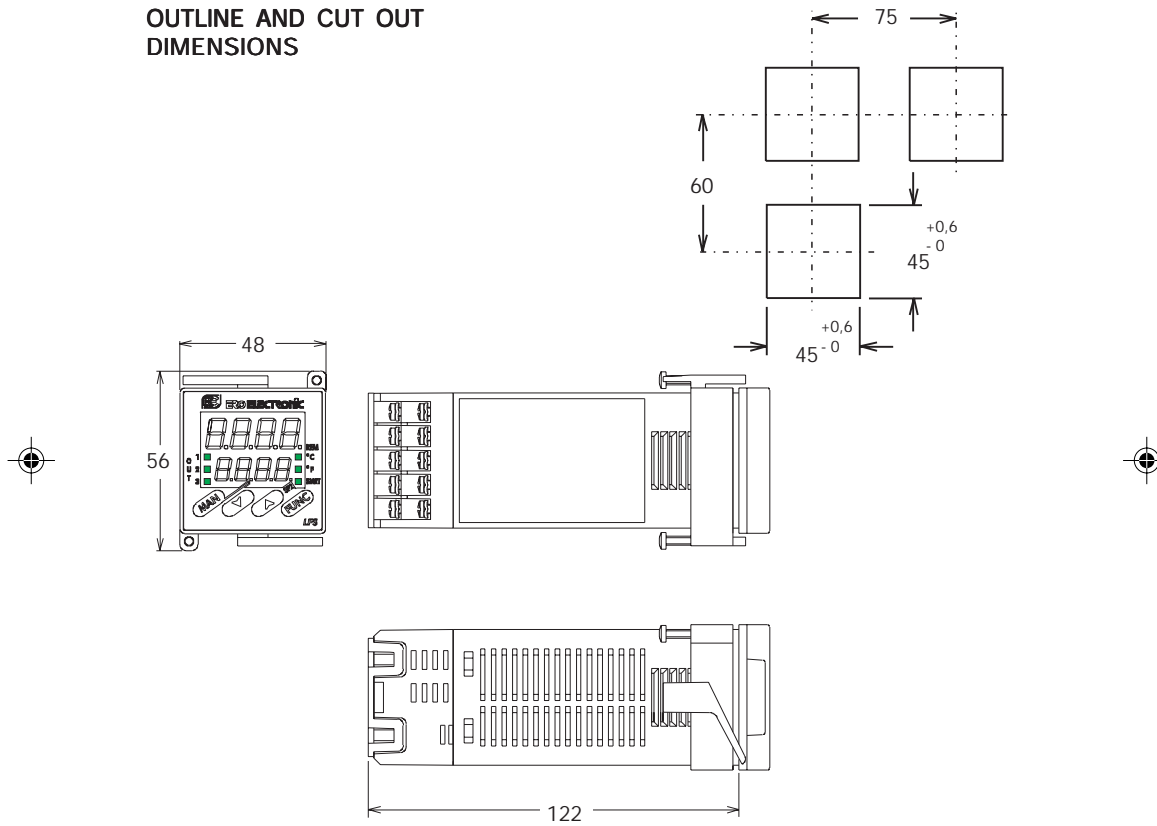


Fig. 2 OUTLINE AND CUT-OUT DIMENSIONS

GB 2





CONNECTION DIAGRAMS

Connections are to be made with the instrument housing installed in its proper location.

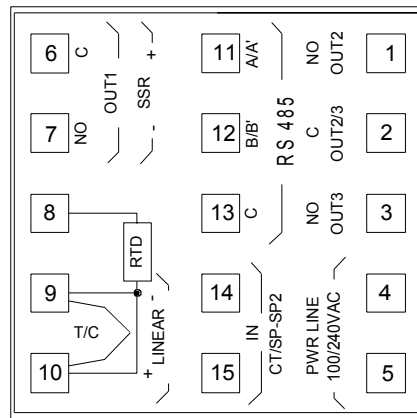


Fig. 3 REAR TERMINAL BLOCK

A) MEASURING INPUTS

NOTE: Any external component (like zener barriers etc.) connected between sensor and input terminals may cause errors in measurement due to excessive and/or not balanced line resistance or possible leakage currents.

TC INPUT

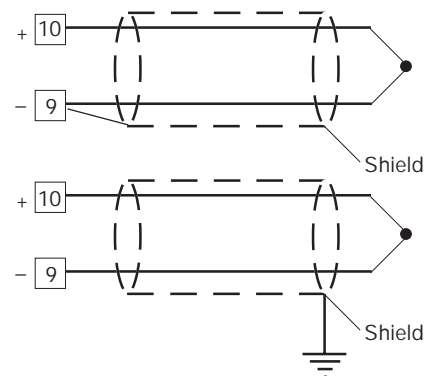


Fig. 4 THERMOCOUPLE INPUT WIRING

NOTE:

- 1) Don't run input wires together with power cables.
- 2) For TC wiring use proper compensating cable preferable shielded.
- 3) When a shielded cable is used, it should be connected at one point only.





RTD INPUT

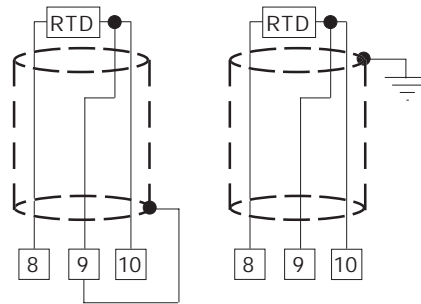


Fig. 5 RTD INPUT WIRING

NOTE:

- 1) Don't run input wires together with power cables.
- 2) Pay attention to the line resistance; a high line resistance may cause measurement errors.
- 3) When shielded cable is used, it should be grounded at one side only to avoid ground loop currents.
- 4) The resistance of the 3 wires must be the same.

LINEAR INPUT

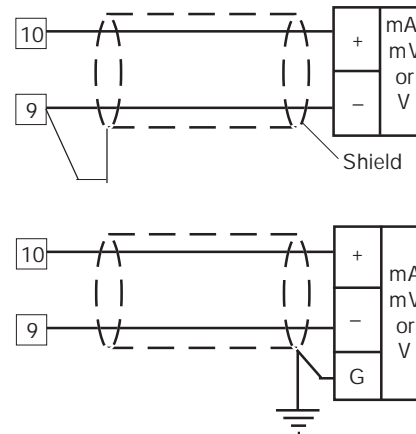


Fig. 6 mA, mV AND V INPUTS WIRING

NOTE:

- 1) Don't run input wires together with power cables.
- 2) Pay attention to the line resistance; a high line resistance may cause measurement errors.
- 3) When shielded cable is used, it should be grounded at one side only to avoid ground loop currents.
- 4) The input impedance is equal to:
 - < 5 Ω for 20 mA input
 - > 1 M Ω for 60 mV input
 - > 200 k Ω for 5 V input
 - > 400 k Ω for 10 V input



B.1) LOGIC INPUT

This instrument can use the input "IN CT/SP-SP2" (connections 14 and 15) as current transformer input or logic input.

Safety note:

- 1) Do not run logic input wiring together with power cables.
- 2) Use an external dry contact capable of switching 0.5 mA, 5 V DC.
- 3) The instrument needs 100 ms to recognize a contact status variation.
- 4) The logic inputs are **NOT** isolated by the measuring input.
- 5) This feature excludes the current transformer input.



Fig. 7 - LOGIC INPUT WIRING

When the logic input is selected, it is used to switch, by an external contact, from main set point to second set point and viceversa.

logic input	op. set point
open	SP
close	SP2

B.2) CURRENT TRANSFORMER INPUT

This instrument can use the input "IN CT/SP-SP2" (connections 14 and 15) as current transformer input or logic input.

Safety note:

- 1) Do not run current transformer input wiring together with AC power cables.
- 2) The minimum active period to perform this measurement is equal to 400 ms.
- 3) This feature excludes the logic input function.
- 4) The input impedance is equal to 10 Ω .

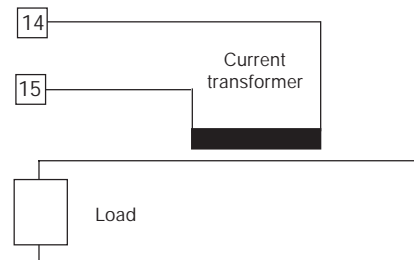


Fig. 8 - CURRENT TRANSFORMER INPUT WIRING

This input allows to measure and display the current running in the load driven by the OUTPUT1 during the ON and OFF period of the OUT 1 cycle time. By this feature it is also available the "OUT 1 failure detection" function (see page 20).





C) RELAY OUTPUTS

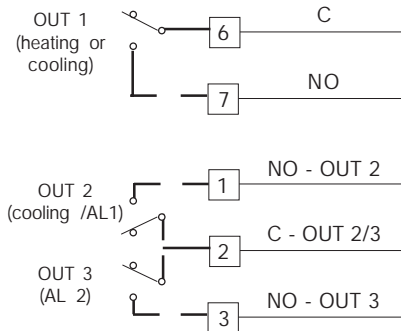


Fig. 9 RELAY OUTPUTS WIRING

The contact rating of the OUT 1 is 3A/250V AC on resistive load.
 The contact rating of the OUT 2 and 3 is 2A/250V on AC resistive load.
 The number of operations is 1×10^5 at specified rating.

- NOTES**
- 1) To avoid electrical shock, connect power line at the end of the wiring procedure.
 - 2) For power connections use No 16 AWG or larger wires rated for at least 75 °C.
 - 3) Use copper conductors only.
 - 4) Don't run input wires together with power cables.

All relay contacts are protected by varistor against inductive load with inductive component up to 0.5 A.

The following recommendations avoid serious problems which may occur, when using relay output for driving inductive loads.

INDUCTIVE LOADS

High voltage transients may occur switching inductive loads.
 Through the internal contacts these transients may introduce disturbances which can affect the performance of the instrument.
 For all the outputs, the internal protection (varistor) assures a correct protection up to 0.5 A of inductive component.

The same problem may occur when a switch is used in series with the internal contacts as shown in Fig. 10.

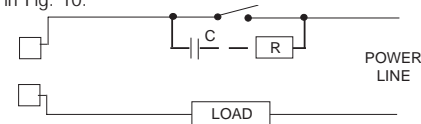


Fig. 10 EXTERNAL SWITCH IN SERIES WITH THE INTERNAL CONTACT

In this case it is recommended to install an additional RC network across the external contact as shown in Fig. 10

The value of capacitor (C) and resistor (R) are shown in the following table.

LOAD (mA)	C (μF)	R (Ω)	P. (W)	OPERATING VOLTAGE
<40 mA	0.047	100	1/2	260 V AC
<150 mA	0.1	22	2	260 V AC
<0.5 A	0.33	47	2	260 V AC

The cable involved in relay output wiring must be as far away as possible from input or communication cables.



**VOLTAGE OUTPUTS FOR SSR DRIVE
(For LFS-relay only)**

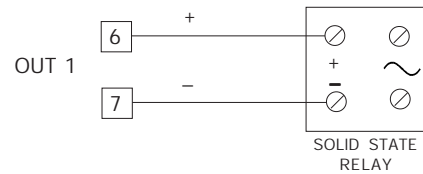


Fig. 11 SSR DRIVE OUTPUT WIRING

It is a time proportioning output.

Logic level 0: $V_{out} < 0.5 \text{ V DC}$.

Logic level 1:

- 14 V + 20 % @ 20 mA

- 24 V + 20 % @ 1 mA.

Maximum current = 20 mA.

NOTE: This output is not isolated. A double or reinforced isolation between instrument output and power supply must be assured by the external solid state relay.

SERIAL INTERFACE

RS-485 interface allows to connect up to 30 devices with one remote master unit.

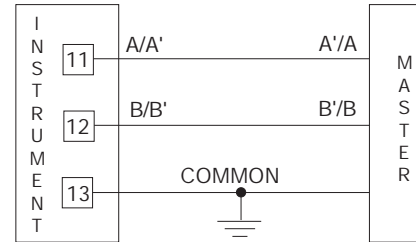


Fig. 12 - RS-485 WIRING

The cable length must not exceed 1.5 km at 9600 BAUD.

NOTE: 1) This is an RS485 isolated interface.

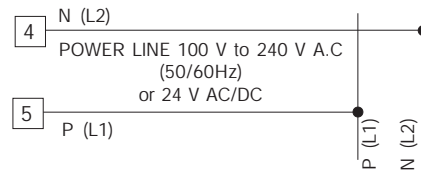
2) The following report describes the signal sense of the voltage appearing across the interconnection cable as defined by EIA for RS-485.

a) The " A " terminal of the generator shall be negative with respect to the " B " terminal for a binary 1 (MARK or OFF) state.

b) The " A " terminal of the generator shall be positive with respect to the " B " terminal for a binary 0 (SPACE or ON)



D) POWER LINE WIRING



and within easy reach of the operator;
- it shall be marked as the disconnecting device for the equipment.
NOTE: a single switch or circuit-breaker can drive more than one instrument.
9) When a neutral line is present, connect it to terminal 4

Fig. 13 POWER LINE WIRING

NOTES:

- 1) Before connecting the instrument to the power line, make sure that line voltage corresponds to the description on the identification label.
- 2) To avoid electrical shock, connect power line at the end of the wiring procedure.
- 3) For supply connections use No 16 AWG or larger wires rated for at least 75 °C.
- 4) Use copper conductors only.
- 5) Don't run input wires together with power cables.
- 6) For 24 V DC the polarity is a do not care condition.
- 7) The power supply input is **NOT** fuse protected. Please, provide it externally.

Power supply	Type	Current	Voltage
24 V AC/DC	T	500 mA	250 V
100/240 V AC	T	125 mA	250 V

When fuse is damaged, it is advisable to verify the power supply circuit, so that it is necessary to send back the instrument to your supplier.

- 8) The safety requirements for Permanently Connected Equipment say:
 - a switch or circuit-breaker shall be included in the building installation;
 - It shall be in close proximity to the equipment



PRELIMINARY HARDWARE SETTINGS

- 1) Remove the instrument from its case.
- 2) It is necessary to set J106 according to the desired input type as shown in the following figure.

INPUT TYPE	J106				
	1-2	3-4	5-6	7-8	9-10
TC-RTD	open	close	open	open	open
60 mV	open	close	open	open	open
5 V	close	open	close	open	open
10 V	open	open	close	open	open
20 mA	open	open	open	close	close

NOTE : the not used jumper can be positioned on pin 7-9

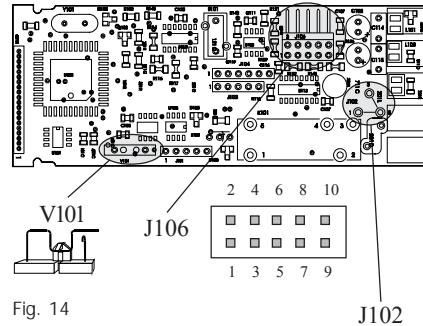


Fig. 14

- 3) Select the output 1 contact : NO (standard) or NC by setting J102 according to the following table:

Contact	NO (standard)	NC
J102	1 - 2	2 - 3

OPEN INPUT CIRCUIT

This instrument is able to identify the open circuit for TC and RTD inputs.

The open input circuit condition for RTD input is shown by an "overrange" indication.

For TC input, it is possible to select overrange indication (standard) or underrange indication setting the CH101 and SH101 according to the following table:

Overrange (STD)	CH101 = close	SH101 = open
Underrange	CH101 = open	SH101 = close

Both pads are located on the soldering side of the CPU card

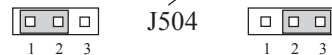
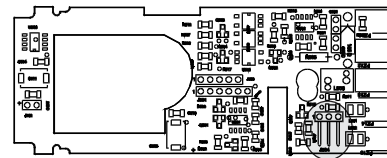


Fig. 15



SELECTION OF THE "IN CT/SP-SP2" FUNCTION

This instrument can use the input "IN CT/SP-SP2" (connections 14 and 15) as current transformer input or a logic input. The current transformer input allows to measure and display the current running in the load driven by the OUTPUT1 during the ON and OFF period of the OUT 1 cycle time. By this feature it is also available the "OUT 1 failure detection" function (see page 20). The logic input is used to switch, by an external contact, from main set point to second set point and viceversa. To select the desired input type, set J504 as detailed in the figure shown below:



Current transformer input Logic input

Fig. 16

GENERAL NOTES for configuration.

- FUNC = This will memorize the new value of the selected parameter and go to the next parameter (increasing order).
- MAN = This will scroll back the parameters without memorization of the new value.
- ▲ = This will increase the value of the selected parameter
- ▼ = This will decrease the value of the selected parameter.

CONFIGURATION PROCEDURE

- 1) Remove the instrument from its case.
- 2) Set the dip switch V101 to the open condition (see fig. 14).
- 3) Re-insert the instrument.
- 4) Switch on the instrument.

The display will show CONf.

NOTE : If "CAL" indication is displayed, press immediately the ▲ pushbutton and return to the configuration procedure.

- 5) Push the FUNC pushbutton.

SEr1 = Serial interface protocol

- OFF = No serial interface
- Ero = Polling/selecting ERO
- nbUS = Modbus
- jbUS = Jbus

SEr2 = Serial link device address

Not available when SEr1 = OFF
From 1 to 95 for ERO protocol.
From 1 to 255 for all the other protocols.

NOTE: the electrical characteristic of the RS 485 serial interface will allow the connection of 31 devices maximum.



SEr3 = Baud rate for serial link

Not available when SER1 = OFF

From 600 to 19200 baud.

NOTE: 19200 baud is shown on display as 19.20.

SEr4 = Byte format for serial link

Not available when SER1 = OFF

7E = 7 bits + even parity (For ERO protocol only)

7O = 7 bits + odd parity (For ERO protocol only)

8E = 8 bits + even parity

8O = 8 bits + odd parity

8 = 8 bits no parity

P1 - Input type and standard range

0 = TC type L range 0 / +400.0°C

1 = TC type L range 0 / +900 °C

2 = TC type J range -100.0 / +400.0 °C

3 = TC type J range -100 / +1000 °C

4 = TC type K range -100.0 / +400.0 °C

5 = TC type K range -100 / +1370 °C

6 = TC type N range -100 / +1400 °C

7 = TC type R range 0 / +1760 °C

8 = TC type S range 0 / +1760 °C

9 = RTD type Pt 100 range -199.9 / +400.0 °C

10 = RTD type Pt 100 range -200 / +800 °C

11 = mV Linear range 0 / 60 mV

12 = mV Linear range 12 / 60 mV

13 = mA Linear range 0 / 20 mA

14 = mA Linear range 4 / 20 mA

15 = V Linear range 0 / 5 V

16 = V Linear range 1 / 5 V

17 = V Linear range 0 / 10 V

18 = V Linear range 2 / 10 V

19 = TC type L range 0 / +1650 °F

20 = TC type J range -150 / +1830 °F

21 = TC type K range -150 / +2500 °F

22 = TC type N range -150 / +2550 °F

23 = TC type R range 0 / +3200 °F

24 = TC type S range 0 / +3200 °F

25 = RTD type Pt 100 range -199.9 / +400.0 °F

26 = RTD type Pt 100 range -330 / +1470 °F

27 = TC type T range -199.9 / +400.0 °C

28 = TC type T range -330 / +750 °F

NOTE: selecting P1 = 0, 2, 4, 9, 25 or 27, the instrument set automatically P36 = FLtr. For all the remaining ranges it will set P36 = nOFL. If a different selection is desired, P36 may be modified.

P2 = Decimal point position

This parameter is available only when a linear input is selected (P1 = 11, 12, 13, 14, 15, 16, 17 or 18).

----. = No decimal figure.

---.- = One decimal figure.

--. -- = Two decimal figures.

-. --- = Three decimal figures.

P3 = Initial scale value

For linear inputs it is programmable from -1999 to 4000.

For TC and RTD input it is programmable within the input range.

When this parameter is modified, rL parameter will be re-aligned to it.

P4 = Full scale value

For linear inputs it is programmable from -1999 to 4000.

For TC and RTD input it is programmable within the input range.

When this parameter is modified, rH parameter will be re-aligned to it.



The initial and full scale values determine the input span which is used by the PID algorithm, the SMART and the alarm functions.

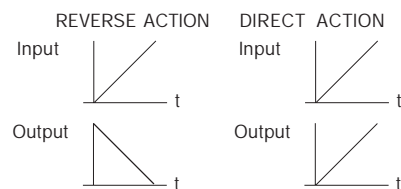
NOTE: the minimum input span ($S = P4 - P3$), in absolute value, should be set as follows:
 For linear inputs, $S > 100$ units.
 For TC input with °C readout, $S > 300$ °C.
 For TC input with °F readout, $S > 550$ °F.
 For RTD input with °C readout, $S > 100$ °C.
 For RTD input with °F readout, $S > 200$ °F.

P5 = Output 1 type

rEL = Relay [the cycle time (Cy1) will be forced to 15 s]
 SSr = SSR [the cycle time (Cy1) will be forced to 4 s]

P6 = Output 1 action.

This parameter is skipped if $P7 = 4$
 rEV = Reverse action (Heating action)
 dir = Direct action (Cooling action)



P7 = Output 2 function.

0 = output not used.
 1 = it is used as alarm 1 output and the alarm 1 is programmed as process alarm.

2 = it is used as alarm 1 output and the alarm 1 is programmed as band alarm.
 3 = it is used as alarm 1 output and the alarm 1 is programmed as deviation alarm.
 4 = it is used as second control output (Cooling output).

NOTE: setting $P7 = 4$, the $P6$ parameter is forced to "rEV".

P8 = Cooling media.

Available only when $P7 = 4$
 Air = Air is used as cooling media.
 OIL = Oil is used as cooling media.
 H2O = Direct water is used as cooling media.
 Changing $P8$ parameter, the instrument forces the cycle time and relative cooling gain parameter to the default value related with the chosen cooling media
 When $P8 = \text{Air}$ - $\text{Cy}2 = 10$ s and $\text{rC} = 1.00$
 $P8 = \text{OIL}$ - $\text{Cy}2 = 4$ s and $\text{rC} = 0.80$
 $P8 = \text{H}2\text{O}$ - $\text{Cy}2 = 2$ and $\text{rC} = 0.40$

P9 = Alarm 1 operating mode

Available only when $P7$ is equal to 1, 2 or 3.
 H.A. = High alarm (outside for band alarm) with automatic reset.
 L.A. = Low alarm (inside for band alarm) with automatic reset.
 H.L. = High alarm (outside band) with manual reset (latched).
 L.L. = low alarm (inside band) with manual reset (latched).

P10 = Option feature (see also "Display function" and "OUT 1 failure detection")

OFF = No option
 SP2 = Digital input for SP / SP2 selection.
 n.O. = Set $P10$ to n.O. when the load is



energized during the ON status of the instrument output (relay energized or SSR output status 1).

n.C. = Set P10 to n.C. when the load is energized during the OFF status of the instrument output (relay de-energized or SSR output status 0).

P11 = Current transformer range

This parameter is present only if P10 is different from OFF or SP2 and it is programmable from 10 to 100 A.

P12 = Output 3 function

- 0 = Output not used for alarm 2.
- 1 = it is used as alarm 2 output and the alarm 2 is programmed as process alarm.
- 2 = it is used as alarm 2 output and the alarm 2 is programmed as band alarm.
- 3 = it is used as alarm 2 output and the alarm 2 is programmed as deviation alarm.

NOTE : The output 3 relay operates as a logic OR between the alarm 2 and the "OUT 1 failure detection" function.

P13 = Alarm 2 operating mode & OUT 1 failure detection reset

Available only when P12 is different from 0 or P10 is equal to n.O or n.C.

- H.A. = High alarm (outside for band alarm) with automatic reset.
- L.A. = Low alarm (inside for band alarm) with automatic reset.
- H.L. = High alarm (outside band) with manual reset (latched).
- L.L. = Low alarm (inside band) with manual reset (latched).

NOTE:The "Out 1 failure detection" function assumes only the selected reset type (manual or automatic).

P14 = Programmability of the alarm 2 threshold and hysteresis values

Available only when P12 is different from 0.

- OPrt = Alarm 2 threshold and hysteresis are programmable in the operating mode.
- COnF = Alarm 3 threshold and hysteresis are programmable in configuration mode.

P15 = Alarm 2 threshold value

Available only when P12 is different from 0 and P14 is equal to "COnF".

- Range: For process alarm - within the range limits.
- For band alarm - from 0 to 500 units.
- For deviation alarm - from -500 to 500 units.

P16 = Alarm 2 hysteresis value

Available only when P12 is different from 0 and P14 is equal to "COnF".

- Range: from 0.1% to 10.0 % of the range selected with P3 and P4 parameters or 1 LSD.

P17 = Threshold of the "Soft Start" function.

Threshold value in eng. units to initiate the "Soft start" function (output power limiting) at start up.

- Range : within the readout span.
- NOTE:** This threshold value will not be taken into account when tOL = InF.





P18 = Safety lock

- 0 = No parameter protection. The device is always in unlock condition and all parameters can be modified.
- 1 = The device is always in lock condition and no parameter (exception made for the set points [SP/SP2] and alarm manual reset) can be modified (for SMART status see P27).
- From 2 to 4999 = This combination number is a secret value to be used, in run time (see nnn parameter) to put device in lock/unlock condition.
For SP, SP2 and manual reset of the alarms, the lock/unlock condition has no effect (for SMART status see P27).
- From 5000 to 9999 = This combination number is a secret value to be used, in run time (see nnn parameter) to put device in lock/unlock condition.
For SP, SP2, manual reset of the alarm, AL1, AL2, Hbd and SCA, the lock/unlock condition has no effect (for SMART status see P27).

NOTE: when safety lock is selected, the secret value can not be displayed again and the display will show 0, 1, Sft.A (when P18 is encompassed between 2 and 4999) or Sft.b (when P18 is encompassed between 5000 and 9999)

- The configuration procedure is completed and the instrument shows " - . - . - . - . " on both displays. If no other setting is necessary, push the FUNC pushbutton, the display returns to show "COnF". Otherwise access to the advanced configuration parameter proceeding as follows:
- 1) using ▲ and ▼ pushbutton to set the 234 code on the display.
 - 2) push the FUNC pushbutton.

P19 = Alarm 1 action

- Available only when P7 is different from 0 or 4.
- dir = direct action (relay energized in alarm condition)
 - rEV = reverse action (relay deenergized in alarm condition)

P20 = alarm 1 stand-by function

- Available only when P7 is different from 0 or 4.
- OFF = stand-by function disabled
 - On = stand-by function enabled

NOTE: If the alarm is programmed as band or deviation alarm, this function masks the alarm condition after a set point change or at the instrument start-up until the process variable reaches the alarm threshold plus or minus hysteresis. If the alarm is programmed as a process alarm, this function masks the alarm condition at instrument start-up until process variable reaches the alarm threshold plus or minus hysteresis.

P21 = Action of the alarm 2 and "OUT 1 failure detection" function

- Available only when P12 is different from 0 or P10 is equal to "n.O" or "n.C".
- dir = direct action (relay energized in alarm condition)
 - rEV = reverse action (relay de-energized in alarm condition)

P22 = Alarm 2 stand-by function

- Available only when P12 is different from 0.
- OFF = Stand-by function disabled
 - On = Stand-by function enabled

NOTE: for more details on stand-by function, see P20 parameter.



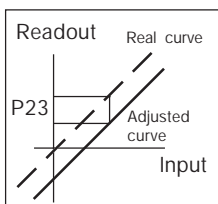


P23 = OFFSET adjustment added to the measured value

This parameter allows to set a constant OFFSET throughout the readout range.

It is skipped for linear inputs

- For readout ranges with decimal figure, P23 is programmable from -19.9 to 19.9.
- For readout ranges without decimal figure, P23 is programmable from -199 to 199.



P28 = Relative cooling gain calculated by SMART function.

This parameter is present only if P7 = 4 and P27 is different from 0.

OFF = SMART algorithm does not calculate the rC parameter value

On = SMART algorithm calculates the rC parameter value.

P29 = Maximum value of the proportional band calculated by the SMART algorithm.

This parameter is present only if P27 is different from 0.

This parameter is programmable from P30 or P31 value to 100.0 %.

P24 = NOT AVAILABLE

P25 = Displayable protected parameters

This parameter is skipped when P18 = 0.

OFF = Protected parameters cannot be displayed.

On = Protected parameter can be displayed.

P26 = MANUAL function

OFF = manual function is disabled

On = manual function can be enabled/disabled by MAN pushbutton.

P27 = SMART function

0 = SMART function disabled.

1 = SMART function in NOT protected by safety lock.

2 = SMART function is under safety lock protection.

P30 = Minimum value of the proportional band calculated by the SMART algorithm when the instrument has two control outputs.

This parameter is available only when P7 = 4 and P27 is different from 0.

It is programmable from 1.5% to P29 value.

P31 = Minimum value of the proportional band calculated by the SMART algorithm when the instrument has one control output.

This parameter is available only when P7 is different from 4 and P27 is different from 0.

It is programmable from 1.0 % to P29 value.



P32 = Minimum value of the Integral time calculated by the SMART algorithm.

This parameter is present only if P27 is different from 0.

It is programmable from 1 second (00.01) to 2 minutes (02.00).

P33 = Device status at instrument start up.

This parameter is skipped when P26 = OFF.

0 = the instrument starts in AUTO mode.

1 = It starts in the same way it was left prior to power shut down.

P34 = NOT AVAILABLE

P35 = Timeout selection

This parameter allows to set the time duration of the timeout for parameter setting used by the instrument during the operating mode.

tn 10 = 10 seconds

tn 30 = 30 seconds

P36 = Digital filter on the measured value

It is possible to apply to the displayed value a digital filter of the first order with a time constant equal to :

- 4 s for TC and RTD inputs

- 2 s for linear inputs

noFL = no filter

FLtr = filter enabled

P37 = Conditions for output safety value

0 = No safety value (see "Error Messages" Chapter)

1 = Safety value applied when overrange or underrange condition is detected.

2 = Safety value applied when overrange condition is detected.

3 = Safety value applied when underrange condition is detected.

P38 = Output safety value

This parameter is skipped when P37 = 0

This value can be set

- from 0 to 100 % when P7 is different from 4

- from -100 % to 100 % when P7 is equal to 4

P39 = Extension of the anti-reset wind up

Range: from -30 to +30 % of the proportional band.

NOTE: a positive value increases the high limit of the anti-reset-wind up (over set point) while a negative value decreases the low limit of the anti-reset-wind up (under set point).

P40 = Control action type

Pid - the instrument operates with a PID algorithm.

Pi - the instrument operates with a PI algorithm.

P41 = Set point indication

Fn.SP = during operative mode, when the instrument performs a ramp, it will show the final set point value.

OP.SP = during operative mode, when the instrument performs a ramp, it will show the operative set point.



P42 = Operative set point alignment at instrument start up

- 0 = At start up, the operative set point will be aligned to SP or SP2 according to the digital input status.
- 1 = At start up, the operative set point will be aligned to the measured value, the selected set point value will be reached by the programmed ramp (see Grd1 and Grd2 operative parameters).

NOTE: if the instrument detects an out of range or an error condition on the measured value it will ever operate as described for P42 = 0.

The configuration procedure is terminated and the display returns to show "CONF".





OPERATIVE MODE

- 1) Remove the instrument from its case.
- 2) Set the internal dip switch V101 in closed condition
- 3) Re-insert the instrument.
- 4) Switch on the instrument.

DISPLAY FUNCTION

The upper display shows the measured value while the lower display shows the programmed set point value (we define the above condition as "normal display mode").

Note: When the rate of change (Grd1, Grd2) is utilized, the displayed set point value may be different from the operating set point.

It is possible to change the information on the lower display as follows:

- By pushing the FUNC pushbutton within 3s to 10s. The lower display will show "A." followed by the current consumed by the load (driven by the OUT 1) when the load is in ON condition (see also "OUT 1 failure detection").
- Push FUNC pushbutton again, the lower display will show "b." followed by the leakage current running in the load (driven by the OUT 1) when the load is in OFF condition (see also "OUT 1 failure detection").
- Push FUNC pushbutton again, the lower display will show "H." followed by OUT 1 power value (from 0 to 100%).
- Push FUNC pushbutton again, the lower display will show "C." followed by OUT 2 power value (from 0 to 100%).
- Push FUNC pushbutton again. The display will return in "Normal Display Mode".

NOTE: The "A", "b" and "C" informations will be displayed only if the relative function has been previously configured.

When no pushbutton are pressed during the time out (see P35), the display will automatically return in "Normal Display Mode".

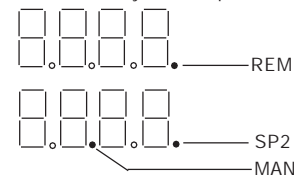
In order to keep the desired information continuously on the lower display, depress ▲ or ▼ push-button to remove the timeout.

When return in "Normal Display Mode" is desired, push FUNC push-button again.

INDICATORS

- °C Lit when the process variable is shown in Celsius degree.
- °F Lit when the process variable is shown in Fahrenheit degree.
- SMRT Flashing when the first part of the SMART algorithm is active.
Lit when the second part of the SMART algorithm is active.
- OUT1 Lit when OUT 1 is ON.
- OUT2 Lit when OUT 2 is ON or alarm 1 is in the alarm state.
- OUT3 Lit when the alarm 2 is in the alarm state.
Flashing with slow rate when the OUT 1 failure detection is in the alarm state.
Flashing with high rate when the OUT 1 failure detection and alarm 2 are in the alarm state.

Other functions are shown by decimal points:



REM = Flashing, when the instrument is controlled via serial link.





SP2 = Flashing at slow rate when SP2 is used.
Flashing at fast rate when a set point from serial link is used.
MAN= Flashing at slow rate, when the instrument is in MANUAL mode.

Pushbutton functionality during operating mode.

FUNC = when the instrument is in "normal display mode"
1) with a brief pressure (<3s) it starts the parameter modification procedure.
2) with a pressure within 3s to 10s it changes the indication on the lower display (see "display function").
3) with a pressure longer than 10s it enables the lamp test (see "Lamp Test" paragraph).

During parameter modification, it allows to memorize the new value of the selected parameter and go to the next parameter (increasing order).

MAN = when the instrument is in "normal display mode", pushing MAN pushbutton for more than 1 s, it is possible to enable or disable the manual function.

During parameter modification, it allows to scroll back the parameters without memorizing the new setting.

▲ = During parameter modification, it allows to increase the value of the selected parameter

During MANUAL mode, it allows to increase the output value.

▼ = During parameter modification, it allows to decrease the value of the selected parameter

During MANUAL mode, it allows to decrease the output value.

▲+FUNC = when device is in normal display mode, they allow to enable/disable the control output (see "Enable/disable the control output" paragraph).

▲+MAN = During parameter modification they allow to jump to the maximum programmable value.

▼+MAN = During parameter modification they allow to jump to the minimum programmable value.

NOTE: a 10 or 30 seconds time out (see P 35) can be selected for parameter modification during run time mode.

If, during parameter modification, no pushbutton is depressed for more than 10 (30) seconds, the instrument goes automatically to the "normal display mode" and the eventual modification of the last parameter will be lost.





ENABLE/DISABLE THE CONTROL OUTPUT

When the instrument is in "normal display mode", by keeping depressed for more than 5s ▲ and FUNC pushbuttons, it is possible to disable the control outputs. In this open loop mode the device will function as an indicator, the lower display will show the word OFF and all control outputs will also be in the OFF state.

When the control outputs are disabled the alarms are also in non alarm condition.

The alarm outputs conditions depend on the alarm action type (see P19-P21).

Depress for more than 5s ▲ and FUNC pushbuttons to restore the control status.

The alarm stand-by function, if configured, will be activated as if it was at power up.

If a power down occurs when the control output is disabled, at instrument power up the control output will be automatically disabled.

SP - SP2 SELECTION

It is possible to select the operating set point (SP or SP2) only by an external contact (terminals 14 and 15).

This function excludes the "OUT 1 failure detection" function and the current transformer.

By setting P41, it is possible to display the final or the operative set point during a ramp execution.

OUT 1 FAILURE DETECTION FUNCTION

The device is capable (for the load driven by the OUT 1) to measure and display:

- the current running in the load when the load is energized;
- the leakage current, flowing through the load, when the load is de-energized.

If the P10 parameter has been correctly set, the instrument generates an alarm when:

- the current running in the load is lower than the "Hbd" parameter value (It shows a partial or total break down of the load, the break down of the actuator or a power down due to a protection or a fuse intervention);
- the leakage current is higher than the "SCA" parameter value (It shows a short circuit of the actuator).

The "Display function" paragraph describes how to show the two current values.

A fault condition is shown by OUT 3 LED flashing and by OUT 3 relay status.

If the ON or OFF period is lower than 400 ms the relative measurement couldn't be performed and the instrument will show flashing the last measured value.

DIRECT ACCESS TO THE SET POINT

When the device is in AUTO mode and in "Normal Display Mode", it is possible to access directly to set point modification (SP or SP2).

Pushing ▲ or ▼ for more than 2 s, the set point will begin changing.

The new set point value becomes operative since no pushbutton has been depressed at the end of 2 s timeout.





MANUAL FUNCTION

The MANUAL mode function can be accessed (only if enabled by P26=On) by depressing the MAN pushbutton for more than 1 sec. The command is accepted and executed only if the display is in "Normal Display Mode". When in MANUAL mode the LED's MAN annunciator will light up while the lower display shows the power output values. The value of OUT 1 is shown in the two most significant digit field while the value of OUT 2 (if present) is shown in the two less significant digit field.

The decimal point between the two values will be flashing to indicate instrument in manual mode.

Note: A graphic symbol " □ □ " is used for OUT1 = 100

A graphic symbol " □ □ " is used for OUT2 = 100

The power output can be modified by using ▲ and ▼ pushbuttons.

By depressing, for more than 1 second, MAN pushbutton the device returns in AUTO mode.

The transfer from AUTO to MANUAL and viceversa is bumpless (this function is not provided if integral action is excluded).

If transfer from AUTO to MANUAL is performed during the first part of SMART algorithm (TUNE) when returning in AUTO the device will be forced automatically in the second part of the SMART algorithm (ADAPTIVE).

At power up the device will be in the AUTO mode or as it was left prior to power shut down depending on P33 configuration selection.

Note: When start up occurs in Manual mode the power output (OUT1 - OUT2) is set to 0.

SERIAL LINK

The device can be connected to a host computer by a serial link.

The host can put the device in LOCAL (functions and parameters are controlled via keyboard) or in REMOTE (functions and parameters are controlled via serial link).

The REMOTE status is signalled by the decimal point (labelled REM) at the right hand of the LSD of the upper display.

This instrument allows to modify the operative and configuration parameters, via serial link.

The necessary conditions to implement this function are the following:

- 1) Serial parameters from SEr1 to SEr4 should be properly configured using the standard front keyboard procedure
- 2) Device must be in the OPERATING mode

During the downloading configuration the device goes in open loop with all output in OFF state.

At the end of configuration procedure, the device performs an automatic reset and then returns to close loop control.





LAMP TEST

When it is desired to verify the display efficiency, push FUNC pushbutton for more than 10 s. The instrument will turn ON, with a 50 % duty cycle, all the LEDs of the display (we define this function "LAMP TEST").

No time out is applied to the LAMP TEST.

When it is desired to come back to the normal display mode, push FUNC pushbutton again.

During the LAMP TEST the instrument continues to control the process but no keyboard functions are available (exception made for the FUNC pushbutton).

SMART function

It is used to automatically optimize the control action.

To enable the SMART function, push the FUNC pushbutton until "Snrt" parameter is shown.

Pushing ▲ or ▼ set the display "On" and push the FUNC pushbutton.

The SMRT LED will turn on or flashing according to the algorithm selected.

When the smart function is enabled, it is possible to display but not to modify the control parameters.

To disable the SMART function, push the FUNC pushbutton again until "Snrt" parameter is shown.

Pushing ▲ or ▼ set the display "OFF" and push the FUNC pushbutton.

The SMRT LED will turn off.

The instrument maintains the actual set of control parameters and it enables parameter modification.

- NOTES** :
- 1) When ON/OFF control is programmed (Pb=0), the SMART function is disabled.
 - 2) The SMART enabling/disabling can be protected by safety key (see P27).





OPERATIVE PARAMETERS

Push the FUNC pushbutton, the lower display will show the code while the upper display will show the value or the status (ON or OFF) of the selected parameter.

By ▲ or ▼ pushbutton it is possible to set the desired value or the desired status.

Pushing the FUNC pushbutton, the instrument memorizes the new value (or the new status) and goes to the next parameter.

Some of the following parameter may be skipped according to the instrument configuration.

Param. DESCRIPTION

SP	Set point (in eng. units). Range: from rL to rH. SP is operative when the logic input is open.
Snrt	SMART status. The On or OFF indication shows the actual status of the SMART function (enabled or disabled respectively). Set On to enable the SMART function. Set OFF to disable the SMART function.
n.rSt	Manual reset of the alarms. This parameter is skipped if none of the alarms has the manual reset function. Set On and push FUNC to reset the alarms.
SP2	Set point 2 (in eng. units). Range: from rL to rH. SP2 is operative when the logic input is closed.
nnn	Software key for parameter protection. This parameter is skipped if P18 = 0 or 1 On = the instrument is in LOCK condition OFF = the instrument is in UNLOCK condition

When it is desired to switch from LOCK to UNLOCK condition, set a value equal to P18 parameter.

When it is desired to switch from UNLOCK to LOCK condition, set a value different from P18 parameter.

AL1	Alarm 1 threshold This parameter is available only if P 7 is equal to 1,2 or 3. Ranges: - Span limits for process alarm. - From 0 to 500 units for band alarm. - From -500 to 500 units for deviation alarm.
HSA1	Alarm 1 hysteresis This parameter is available only if P 7 is equal to 1,2 or 3. Range:From 0.1% to 10.0% of the input span or 1 LSD. Note: If the hysteresis of a band alarm is larger than the alarm band, the instrument will use an hysteresis value equal to the programmed band minus 1 digit.
AL2	Alarm 2 threshold This parameter is available only if P 12 is equal to 1,2 or 3 and P14 is equal to OPrt. For other details see AL1parameter.
HSA2	Alarm 2 hysteresis This parameter is available only if P 12 is equal to 1,2 or 3 and P14 is equal to OPrt. For other details see HSA1parameter.
Pb	Proportional band Range: - from 1.0% to 100.0% of the input span for one control output. - from 1.5% to 100.0% of the input span for two control outputs. When Pb parameter is set to 0.0, the control action becomes ON-OFF.



Note: When device is working with SMART algorithm the Pb value will be limited by P29, P30 and P31 parameters.

HyS Hysteresis for ON/OFF control action
This parameter is available only when Pb=0.
Range: from 0.1% to 10.0% of the input span.

ti Integral time
This parameter is skipped if Pb=0 (ON/OFF action).
Range: from 00.01 to 20.00 [mm.ss].
Above this value the display blanks and integral action is excluded

Note: When the device is working with SMART algorithm, the minimum value of the integral time will be limited by P32 parameter.

td Derivative time
This parameter is skipped if Pb=0 (ON/OFF action) or P40 = Pi.
Range: From 00.00 to 10.00 mm.ss.

Notes: When device is working with SMART algorithm the td value will be equal to a quarter of Ti value.

IP Integral pre-load.
This parameter is skipped if Pb=0 (ON/OFF action).
For one control output, it is programmable from 0 to 100 % of the output span.
For two control outputs it is programmable from -100% (100 % cooling) to 100 % (100 % heating).

Cy1 Output 1 cycle time
Range: From 1 to 200 s.

Cy2 Output 2 cycle time
This parameter is available only if P 7 is equal to 4.
Range: From 1 to 200 s.

rC Relative Cooling gain.
This parameter is available only when device is configured with two control outputs and Pb is different from zero.
Range: from 0.20 to 1.00

Note: When the device is working with SMART algorithm and P28 is set to On the RCG value is limited in accordance with the selected type of cooling media:
- from 0.85 to 1.00 when P8 = Air
- from 0.80 to 0.90 when P8 = OIL
- from 0.30 to 0.60 when P8 = H2O

OLAP Dead band/Overlap between H/C outputs.
This parameter is available only when device is configured with two control outputs and Pb is different from zero.
Range: from -20 to 50 % of the proportional band.

A negative OLAP value shows a dead band while a positive value shows an overlap.

rL Set point low limit
Range: from initial scale value (P3) to rH.
Note: When P3 has been modified, rL will be realigned to it

rH Set point high limit
Range: from rL to full scale value (P4)
Note: When P4 has been modified, rH will be realigned to it

Grd1 Ramp applied to an increasing set point change
Range: from 1 to 100 digits per minute.
Above this value the display shows "Inf" meaning that the transfer will be done as a step change.

Grd2 Ramp applied to a decreasing set point changes
For other details see Grd1 parameter.





OLH **Output high limit**

Range:
- From 0 to 100 % when device is configured with one control output.
- From -100 to 100% when device is configured with two control outputs.

tOL **Time duration of the output power limiter (soft start)**

Range: from 1 to 540 min. Above this value the display shows "InF" meaning that the limiting action is always on
Note: The tOL can be modified but the new value will become operative only at the next instrument start up.

Hbd **Threshold value for out 1 break down alarm**

This parameter is available only when P10 is equal to N.O. or N.C.
Range: From 0 to P11 value (in ampere).

Notes:
The threshold resolution will be equal to 0.1 A for range up to 20 A and 1 A for range up to 100 A.
The hysteresis of this alarm is fixed to 1% of fsv

SCA **Threshold value for OUT 1 short circuit alarm.**

This parameter is available only when P10 is equal to N.O. or N.C.
Range: From 0 to P11 value (in ampere).

Notes:
The threshold resolution will be equal to 0.1 A for range up to 20 A and 1 A for range up to 100 A.
The hysteresis of this alarm is fixed to 1% of fsv

mP **Control output maximum rate of rise**

This parameter is available only when Pb is different from zero
It is programmable from 1% to 25% of the output per second.
Above the 25%/s, the display will show "InF" meaning that no ramp is imposed.





ERROR MESSAGES

OVERRANGE, UNDERRANGE AND SENSOR LEADS BREAK INDICATIONS

The device is capable to detect a fault on the process variable (OVERRANGE or UNDERRANGE or SENSOR LEADS BREAK). When the process variable exceeds the span limits set by configuration parameter P 1 an OVERRANGE condition will be shown on display as show in the following figure:



An UNDERRANGE condition will be shown on display as show in the following figure:



When P37 is equal to 0, the following conditions may occur:

- The instrument is set for one output only and if an OVERRANGE is detected, the output turns OFF (if reverse action) or ON (if direct action).
- The instrument is set for heating/cooling action and an OVERRANGE is detected, "rEV" output turns OFF and "dir" output turns ON.
- The instrument is set for one output only and if an UNDERRANGE is detected, the output turns ON (if reverse action) or OFF (if direct action).
- The instrument is set for heating/cooling action and an UNDERRANGE is detected, "rEV" output turns ON and "dir" output turns OFF.

When P37 is different from zero and an out of range condition is detected, the instrument operates in accordance with P37 and P38 parameters.

The sensor leads break can be signalled as:

- for TC/mV input : OVERRANGE or UNDERRANGE selected by a solder jumper
- for RTD input : OVERRANGE
- for mA/V input : UNDERRANGE

Note: On the mA/V input the leads break can be detected only when the range selected has a zero elevation (4/20 mA or 1/5 V or 2/10 V)

On RTD input a special test is provided to signal OVERRANGE when input resistance is less than 15 ohm (Short circuit sensor detection).

ERROR MESSAGES

The instrument performs self-diagnostic algorithm. When an error is detected, the instrument shows on the lower display the "Err" indication while the upper display shows the code of the detected error.

ERROR LIST

SEr	Serial interface parameter error.
100	Write EEPROM error.
150	CPU error.
200	Tentative to write on protected memory.



201 - 2xx	Configuration parameter error. The two less significant digits shown the number of the wrong parameter (ex. 209 Err shows an Error on P9 parameter)
301	RTD input calibration error
305	TC/mV input calibration error
307	RJ input calibration error
310	CT input calibration error
311	Error on 20 mA input calibration
312	Error on 5 V input calibration
313	Error on 10 V input calibration
400	Control parameters error
500	Auto-zero error
502	RJ error
510	Error during calibration procedure



NOTES

- 1) When a configuration parameter error is detected, it is sufficient to repeat the configuration procedure of the specify parameter.
- 2) If error 400 is detected, push contemporarily the ▼ and ▲ pushbuttons for loading the default parameters then repeat control parameter setting.
- 3) For all the other errors, contact your supplier.





GENERAL INFORMATIONS

GENERAL SPECIFICATIONS

Case: Polycarbonate dark grey color (RAL 7043); self-extinguishing degree: V-0 according to UL 94.

Front protection - designed for IP 65 (*) and NEMA 4X (*) for indoor locations (when panel gasket is installed).

(*) Test were performed in accordance with CEI 70-1 and NEMA 250-1991 STD.

Installation: panel mounting.

Rear terminal block: 15 screw terminals (screw M3, for cables from ϕ 0.25 to ϕ 2.5 mm² or from AWG 22 to AWG 14) with connections diagram and safety rear cover.

Dimensions: DIN 43700 48 x 48 mm, depth 122 mm.

Weight: 250 g.

Power supply:
- 100V to 240V AC 50/60Hz (-15% to + 10% of the nominal value).
- 24 V AC/DC (+ 10 % of the nominal value).

Power consumption: 8 VA max.

Insulation resistance: > 100 M Ω according to IEC 1010-1.

Dielectric strength: 1500 V rms according to IEC 1010-1.

Display updating time: 500 ms.

Sampling time: 250 ms for linear inputs
500 ms for TC and RTD inputs.

Resolution: 30000 counts.

Accuracy: + 0,2% f.s.v.. + 1 digit @ 25 °C ambient temperature.

Common mode rejection: 120 dB @ 50/60 Hz.

Normal mode rejection: 60 dB @ 50/60 Hz.

Electromagnetic compatibility and safety

requirements: This instrument is marked CE.

Therefore, it is conforming to council directives 89/336/EEC for electromagnetic compatibility and to council directives 73/23/EEC and 93/68/EEC for safety.

Installation category: II

Temperature drift: (CJ excluded)

< 200 ppm/°C of span for mV and TC ranges 1, 3, 5, 6, 19, 20, 21, 22.

< 300 ppm/°C of span for mA/V

< 400 ppm/°C of span for RTD range 10, 26 and TC range 0, 2, 4, 27, 28.

< 500 ppm/°C of span for RTD range 9 and TC ranges 7,8, 23, 24.

< 800 ppm/°C of span for RTD range 25.

Operative temperature: from 0 to 50 °C (+32 to 122 °F).

Storage temperature: -20 to +70 °C (-4 to 158 °F)

Humidity: from 20 % to 85% RH, non condensing.

Altitude: This product is not suitable for use above 2000m (6562ft).

Protections:

- 1) WATCH DOG circuit for automatic restart.
- 2) DIP SWITCH for protection against tampering of configuration and calibration parameters.

INPUTS

A) THERMOCOUPLE

Type : L -J -K -N -R -S -T. °C/°F selectable.

External resistance: 100 Ω max, maximum error 0,1% of span.

Burn out: It is shown as an overrange condition (standard). It is possible to obtain an underrange indication by cut and short.

Cold junction: automatic compensation from 0 to 50 °C.

Cold junction accuracy : 0.1 °C/°C

Input impedance: > 1 M Ω





Calibration : according to IEC 584-1 and DIN 43710 - 1977.

STANDARD RANGES TABLE

T/C type	Ranges			
L	0	0 /+ 400.0 °C		---
L	1	0 /+ 900 °C	19	0 / + 1650 °F
J	2	-100.0/+ 400.0 °C		---
J	3	-100 /+ 1000 °C	20	-150 / + 1830 °F
K	4	-100.0/+ 400.0 °C		---
K	5	-100 /+ 1370 °C	21	-150 / + 2500 °F
N	6	-100 /+ 1400 °C	22	-150 / + 2550 °F
R	7	0 /+ 1760 °C	23	0 / + 3200 °F
S	8	0 /+ 1760 °C	24	0 / + 3200 °F
T	27	-199.9/+ 400.0 °C	28	-330 / + 750 °F

B) RTD (Resistance Temperature Detector)

Input: for RTD Pt 100 Ω, 3-wire connection.

Input circuit: current injection.

°C/°F selection: via front pushbuttons or serial link.

Line resistance: automatic compensation up to 20 Ω/wire with no measurable error.

Calibration: according to DIN 43760

Burnout: up scale. **NOTE:** a special test is provided to signal **OVERRANGE** when input resistance is less than 15 Ω.

STANDARD RANGES TABLE

Input type	Ranges	
RTD Pt 100 Ω DIN 43760	9	- 199,9 / + 400,0 °C
	10	- 200 / + 800 °C
	25	-199,9 / +400,0 °F
	26	-330 / + 1470 °F

C) LINEAR INPUTS

Read-out: keyboard programmable between -1999 and +4000.

Decimal point: programmable in any position

Burn out: the instrument shows the burn out condition as an underrange condition for 4-20 mA, 1-5 V and 2-10 V input types.

It shows the burn out condition as an underrange or an overrange condition (selectable by soldering jumper) for 0-60 mV and 12-60 mV input types. No indication are available for 0-20 mA, 0-5 V and 0-10 V input types.

Input type	Impedance	Accuracy
11	0 - 60 mV	> 1 MΩ
12	12 - 60 mV	
13	0 - 20 mA	< 5 Ω
14	4 - 20 mA	
15	0 - 5 V	> 200 kΩ
16	1 - 5 V	
17	0 - 10 V	> 400 kΩ
18	2 - 10 V	

0.2 % + 1 digit @ 25°C

D) LOGIC INPUT

The instrument is equipped with one input from contact (voltage free) for setpoint selection.

Contact open = Main setpoint.

Contact closed = Auxiliary setpoint.

NOTES:

- 1) Use an external dry contact capable of switching 0.5 mA, 5 V DC.
- 2) The instrument needs 100 ms to recognize a contact status variation.
- 3) The logic input is **NOT** isolated by the measuring input.
- 4) This optional function is in alternative to amperometer sensing transformer input.



E) CURRENT TRANSFORMER INPUT FOR OUT1 FAILURE DETECTION

The instruments equipped with this feature are capable, by means of a CT, to detect and signal a possible failure of the line driven by out 1 (see "OUT 1 failure detection").

Measurement category: CAT III

Input range: 50 mA AC.

Scaling: programmable from 10 A to 100 A (with 1 A step).

Resolution:

- for full scale up to 20 A: 0.1 A.
- for full scale from 21 A to 100 A: 1 A

Minimum duration of the period (ON or OFF) to perform the measurement: 400 ms.

NOTE :

- this function **excludes** the logic input (external set point selection).
- Current Transformer must be compliant with EN 60950 standard for clearance and creepage distances.

SET POINTS

This instrument allows to use 2 set points: SP and SP2. The set point selection is possible only by logic input.

Set point transfer:

The transfer between one set point to another (or between two different set point values) may be realized by a step transfer or by a ramp with two different programmable rate of change (ramp up and ramp down).

Slope value: 1 - 100 eng. unit/min or step.

Set points limiter: RLO and RHI parameters, programmable.

CONTROL ACTIONS

Control action: PID + SMART

Type: One (heating or cooling) or two (heating and cooling) control outputs.

Proportional Band (Pb):

Range: - from 1.0 to 100.0 % of the input span for process with one control output.
- from 1.5 to 100.0 % of the input span for process with two control output.

When Pb=0, the control action becomes ON/OFF.

Hysteresis (for ON/OFF control action):

from 0.1% to 10.0% of the input span.

Integral time (Ti): from 1s to 20 min. or excluded.

Derivative time (Td): from 0 s to 10 min. If zero value is selected, the derivative action is excluded.

Integral pre-load:

- from 0.0 to 100.0 % for one control output
- from -100.0 (cooling) to +100.0 % (heating) for two control output.

SMART: keyboard enabling/disabling

Auto/Manual: selectable by front pushbutton.

Auto/Manual transfer: bumpless method type

Indicator "MAN" : OFF in auto mode and lit in manual mode.

OUTPUTS

Control output updating time :

- 250 ms when a linear input is selected
- 500 ms when a TC or RTD input is selected.

Action: direct/reverse programmable by front keyboard.

Output level indication:

The instrument displays separately the output 1 level (heating) and the output 2 level (cooling).





Output status indication: Two indicators (OUT 1 and OUT 2) are lit when the respective output is in ON condition.

Output level limiter:

- For one control medium :
from 0 to 100 % .
- For two control mediums :
from -100 to +100 % .

This function may be operative at instrument start up for a programmable time (To avoid thermal shock and/or preheating the plant) otherwise it can be enabled by an external contact.

Cycle times:

- For out 1 it is programmable from 1 to 200 s.
- For out 2 it is programmable from 1 to 200 s.

Relative cooling gain: programmable from 0.20 to 1.00.

Overlap/dead band: programmable from - 20 % to + 50 % of the proportional band

OUTPUT 1

Type: relay SPDT contact (NO or NC selectable by jumper).

Contact rated: 3 A at 250 V AC on resistive load.

Output cycle time: programmable from 1 s to 200 s.

Function: programmable as heating or cooling output

OUTPUT 2

Type: relay SPST contact .

Contact rated: 2 A at 250 V AC on resistive load.

Function: programmable as:

- control output (cooling)
- Alarm 1 output

Output cycle time (when used as control output): programmable from 1 s to 200 s.

OUTPUT 3

Type: relay with SPST contact

Contact rated: 2 A at 250 V AC on resistive load.

Function: Alarm 2 output.

ALARMS

Actions: Direct or reverse acting.

Alarm functions: each alarm can be configured as process alarm, band alarm or deviation alarm.

Alarm reset: automatic or manual reset programmable on each alarm.

Stand by (mask) alarm: each alarm can be configured with or without stand by (mask) function.

This function allows to delete false indication at instrument start up and/or after a set point change.

Process alarm:

Operative mode : High or low programmable.

Threshold : programmable in engineering unit within the input span.

Hysteresis: programmable from 0.1 % to 10.0 % of the input span (P4 - P3).

Band alarm

Operative mode: Inside or outside programmable.

Threshold : programmable from 0 to 500 units.

Hysteresis : programmable from 0.1 % to 10.0 % of the input span.

Deviation alarm:

Operative mode : High or low programmable.

Threshold : programmable from - 500 to +500 units.

Hysteresis : programmable from 0.1 % to 10.0 % of the input span.



SERIAL COMMUNICATION INTERFACE

Type: RS-485 insulated.

Protocol type: MODBUS, JBUS, ERO polling/
selecting.

Baud rate: programmable from 600 to 19200
BAUD.

Byte format: 7 or 8 bit programmable.

Parity: even, odd or none programmable.

Stop bit : one.

Address :

- from 1 to 95 for ERO protocol
- from 1 to 255 for all the other protocols

Output voltage levels: according to EIA standard.

MAINTENANCE

- 1) REMOVE POWER FROM THE POWER SUPPLY
TERMINALS AND FROM RELAY OUTPUT
TERMINALS
- 2) Remove the instrument from case.
- 3) Using a vacuum cleaner or a compressed air jet
(max. 3 kg/cm²) remove all deposit of dust and
dirt which may be present on the louvers and on
the internal circuits trying to be careful for not
damage the electronic components.
- 4) To clean external plastic or rubber parts use
only a cloth moistened with:
 - Ethyl Alcohol (pure or denatured) [C₂H₅OH] or
 - Isopropil Alcohol (pure or denatured)
[(CH₃)₂CHOH] or
 - Water (H₂O)
- 5) Verify that there are no loose terminals.
- 6) Before re-inserting the instrument in its case, be
sure that it is perfectly dry.
- 7) re-insert the instrument and turn it ON.





MONTAGE

Pour le montage choisir un endroit ayant les caractéristiques suivantes:

- 1) accès facile même à l'arrière
- 2) sans vibrations ou chocs
- 3) absence de gaz corrosifs (gaz sulfurés, ammoniac, etc.)
- 4) absence d'eau ou d'autres liquides
- 5) température ambiante comprise entre 0 et 50°C
- 6) humidité relative de l'air comprise entre 20 et 85% HR et absence de condensation.

L'instrument peut être monté sur un panneau d'épaisseur maxi. 15 mm après avoir exécuté un trou carré de 45 x 45 mm.

Pour les dimensions d'encombrement et de perçage, se reporter à la Fig. 2.

La rugosité superficielle doit être inférieure à 6,3 µm.

L'instrument est doté d'un joint en caoutchouc pour panneau (de 50 à 60 Sh).

Pour garantir les protections IP65 et NEMA 4, introduire le joint livrée avec l'appareil entre l'instrument et le panneau (voir Figure 1).

Pour fixer l'instrument au panneau, agir comme suit:

- 1) enfile le joint sur le boîtier de l'instrument.
- 2) introduire l'instrument dans le trou.
- 3) en maintenant fermement l'instrument sur le panneau, introduire la bretelle de fixation.
- 4) au moyen d'un tourne-vis, serrer les vis à un couple compris entre 0,3 et 0,4 Nm.

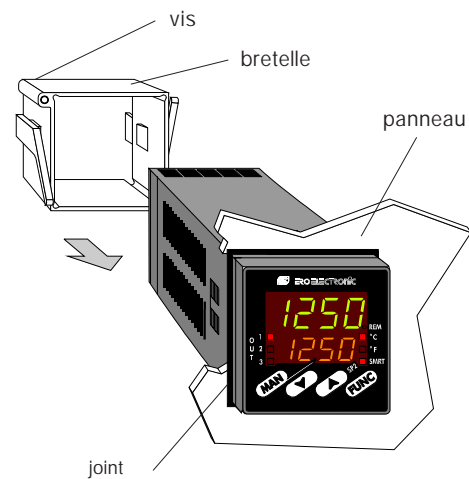
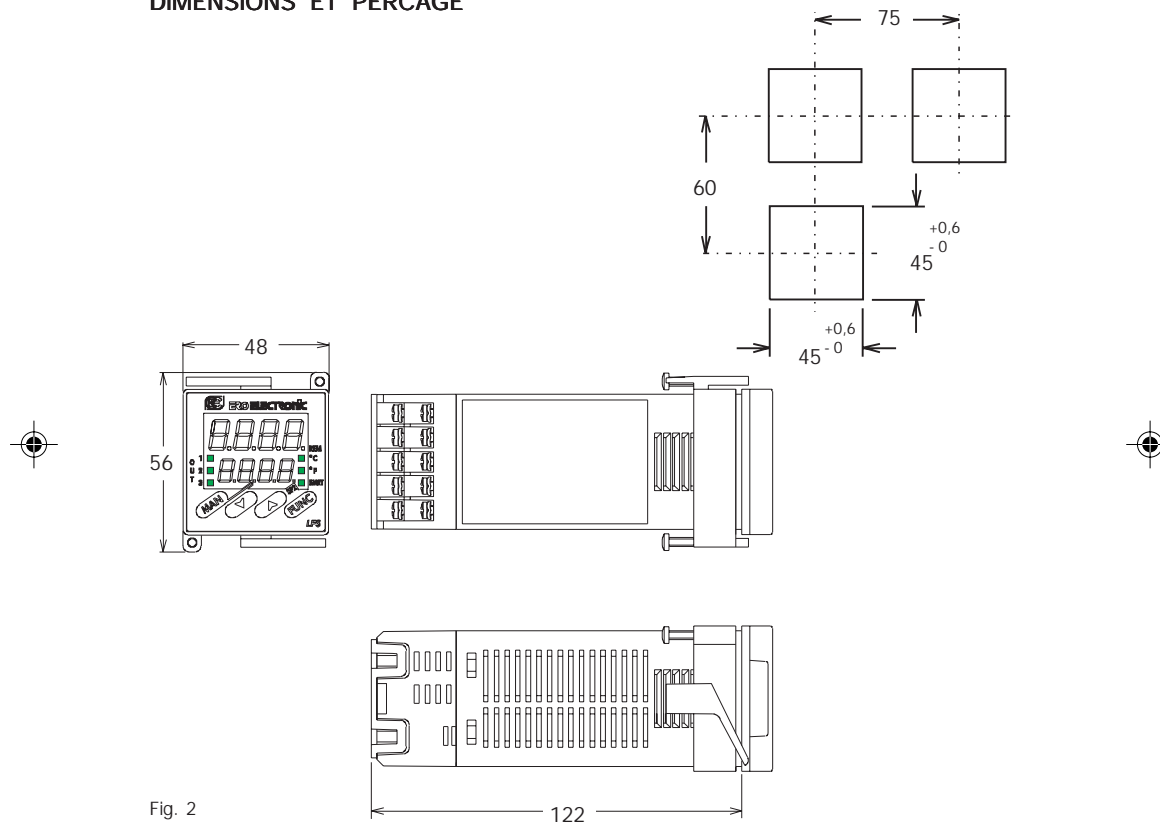


Fig. 1

F 1



DIMENSIONS ET PERCAGE



F 2



RACCORDEMENTS ELECTRIQUES

Les raccordements électriques ne doivent être effectués que si le boîtier de l'instrument est régulièrement monté sur le panneau.

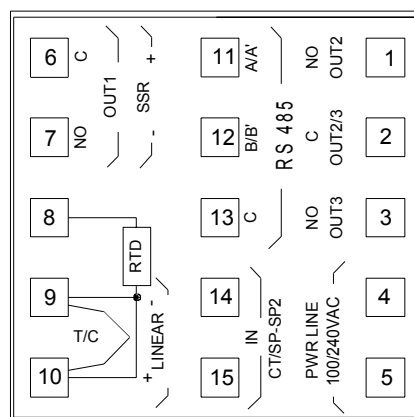


Fig. 3 FACE ARRIERE

A) ENTREES DE MESURE

NOTE: Des éléments extérieurs (ex. barrière zener) raccordés entre le capteur et les bornes d'entrée de l'instrument, peuvent provoquer des erreurs de mesure dues à une impédance trop élevée ou déséquilibrée, ou à la présence de courants de perte.

ENTREE POUR THERMOCOUPLE

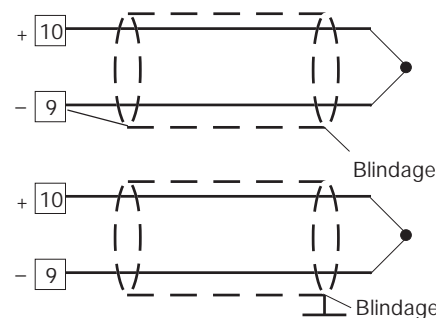


Fig. 4 RACCORDEMENT DE THERMOCOUPLES

NOTES:

- 1) Ne pas placer de câbles de signaux parallèlement ou à proximité des câbles de puissance ou des sources de perturbations
- 2) Pour le raccordement de la TC utiliser un câble de compensation/extension approprié et, autant que possible, blindé.
- 3) Quand on utilise un câble blindé, une seule extrémité du blindage doit être raccordée à la terre.



ENTREE POUR THERMORESISTANCE

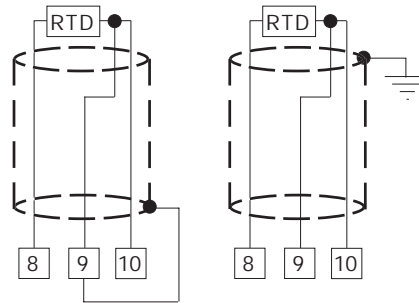


Fig. 5 RACCORDEMENT DE THERMORESISTANCE

NOTES:

- 1) Ne pas placer les câbles des signaux parallèlement ou à proximité des câbles de puissance ou à des sources de perturbations.
- 2) Faire attention aux résistances de ligne, une résistance de ligne trop haute (supérieure à 20 Ω /fil) peut provoquer des erreurs de mesure.
- 3) Quand on utilise un câble blindé, une seule extrémité du blindage doit être raccordée à la terre.
- 4) Les 3 fils doivent avoir la même impédance.

ENTREE LINEAIRE

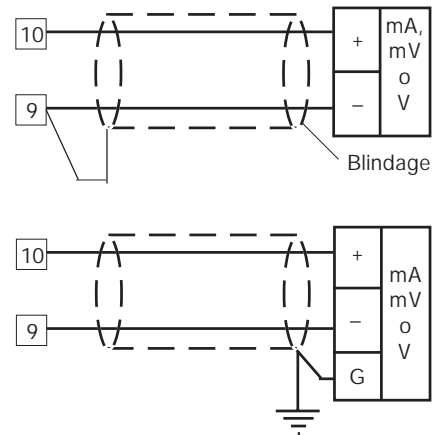


Fig. 6 RACCORDEMENT POUR ENTRES EN mA, mV ou V

NOTES:

- 1) Ne pas placer les câbles des signaux parallèlement ou à proximité des câbles de puissance ou à des sources de perturbations.
- 2) Faire attention aux résistances de ligne, une résistance de ligne trop haute peut provoquer des erreurs de mesure.
- 3) Quand on utilise un câble blindé, une seule extrémité du blindage doit être raccordée à la terre.
- 4) L'impédance d'entrée est égale à:
 - < 5 Ω pour l'entrée 20 mA
 - > 1 M Ω pour l'entrée 60 mV
 - > 200 k Ω pour l'entrée 5 V
 - > 400 k Ω pour l'entrée 10 V





B.1) ENTREES LOGIQUES

L'instrument peut utiliser l'entrée "IN CT/SP-SP2" (bornes 14 et 15) en tant qu'entrée à partir du transformateur ampèremétrique ou entrée logique.

NOTES:

- 1) Ne pas placer de câbles de signaux parallèlement ou à proximité des câbles de puissance ou des sources de perturbations
- 2) Utiliser un contact extérieur approprié pour une capacité de 0,5 mA, 5 V c.c.
- 3) L'instrument contrôle toutes les 100 ms l'état des contacts
- 4) Les entrées logiques **NE SONT PAS** isolées de l'entrée de mesure.
- 5) Cette option exclut la mesure du courant consommé par la charge pilotée au moyen de la sortie 1.

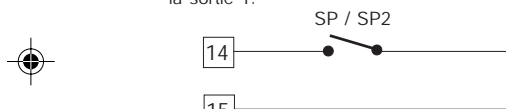


Fig. 7 RACCORDEMENT DE L'ENTREE LOGIQUE

L'instrument peut utiliser l'entrée "IN CT/SP-SP2" (bornes 14 et 15) en tant qu'entrée à partir du transformateur ampèremétrique ou entrée logique.

En tant qu'entrée logique, il permet de sélectionner le point de consigne de fonctionnement.

entrée	point de consigne de
logique	fonctionnement
ouverte	SP
fermée	SP2

B.2) ENTREE A PARTIR DE TRANSFORMATEUR AMPEREMETRIQUE

L'instrument peut utiliser l'entrée "IN CT/SP-SP2" (bornes 14 et 15) en tant qu'entrée à partir du transformateur ampèremétrique ou entrée logique.

Note:

- 1) L'impédance d'entrée est égale à 10 Ω.
- 2) Le courant maxi. d'entrée est égal à 50 mA (50 / 60 Hz).
- 3) L'instrument n'effectue pas cette mesure quand la période de ON est moins de 400 ms.

Note de sécurité

- Eviter de placer les câbles des signaux relatifs au transformateur de courant parallèlement ou à proximité des câbles de puissance ou des sources de perturbations.

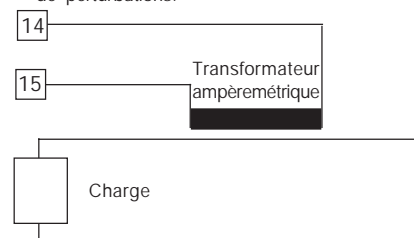


Fig. 8 RACCORDEMENT DU TRANSFORMATEUR AMPEREMETRIQUE

Cette entrée permet de mesurer et de visualiser le courant circulant pendant les périodes ON et OFF dans la charge pilotée par la sortie 1, cette caractéristique est utilisée dans la fonction "alarme d'anomalie à la sortie 1" (voir la description page 20).



C) SORTIES A RELAIS

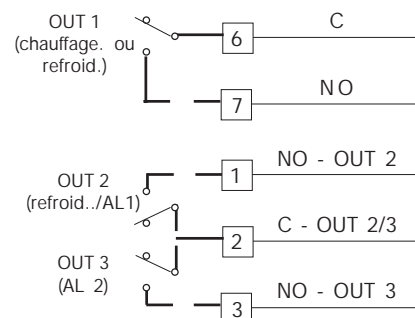


Fig. 9 SORTIES A RELAIS

La capacité du contact correspondant à la sortie 1 est égale à 3A/250V c.a sur charge résistive. La capacité du contact correspondant aux sorties 2 et 3 est égale à 2A/250V c.a. sur charge résistive. Le nombre d'opérations est égal à 1×10^5 à la capacité indiquée.

NOTES:

- 1) Pour éviter le risque d'électrocution ne raccorder l'alimentation qu'après avoir effectué tous les autres raccordements.
 - 2) Le raccordement au réseau doit être effectué à l'aide de câbles n° 16 AWG ou supérieurs, résistant à une température mini. de 75°C.
 - 3) Utiliser exclusivement des conducteurs en cuivre.
 - 4) Éviter de placer les câbles des signaux parallèlement ou à proximité des câbles de puissance ou des sources de perturbations.
- Toutes les sorties à relais sont protégées, au moyen de varistances, pour des charges dont la composante inductive maxi. est de 0,5 A. Les recommandations suivantes peuvent éviter de graves problèmes causés par l'utilisation des sorties à relais pour piloter des charges inductives.

CHARGES INDUCTIVES

Dans la commutation des charges inductives, certaines charges inductives peuvent provoquer des transitoires et des perturbations qui peuvent compromettre les prestations de l'instrument. Les protections internes garantissent la protection contre les perturbations pour des charges ayant une composante inductive maxi. de 0,5 A.

Des problèmes analogues peuvent être créés par la commutation des charges via un contact extérieur monté en série sur le contact de sortie de l'instrument.

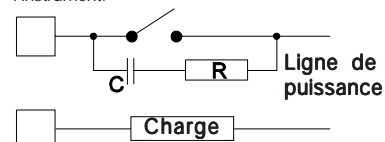


Fig. 10 CONTACT EXTERIEUR MONTE EN SERIE SUR LE CONTACT DE SORTIE DE L'INSTRUMENT

En de tels cas, nous recommandons de raccorder un filtre RC en parallèle avec le contact extérieur (ou avec le contact intérieur non protégé) suivant les indications fig. 10. Les valeurs de la capacité (C) et de la résistance (R) sont indiquées au tableau suivant.

CHARGE (mA)	C (μF)	R (Ω)	P. (W)	TENSION DE SERVICE
<40 mA	0.047	100	1/2	260 V AC
<150 mA	0.1	22	2	260 V AC
<0.5 A	0.33	47	2	260 V AC



De toute façon, les câbles raccordés aux sorties à relais, doivent être aussi éloignés que possible des câbles des signaux.

SORTIE LOGIQUE POUR LA COMMANDE DE SSR (seulement pour LFS-relais)

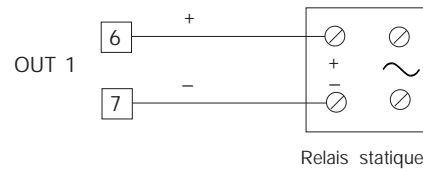


Fig. 11 RACCORDEMENT POUR LE PILOTAGE DU RELAIS A ETAT STATIQUE

Il s'agit d'une sortie à temps proportionnel.

Niveau logique 0: $V_{out} < 0.5 \text{ V c.c.}$

Niveau logique 1: Courant maxi. = 20 mA.

- 14 V + 20 % @ 20 mA

- 24 V + 20 % @ 1 mA.

NOTES: Ces sorties NE SONT PAS isolées.

Un isolement double ou renforcé entre l'instrument et la ligne de puissance doit être effectué par le relais statique extérieur.

LIAISON NUMERIQUE

La liaison numérique type RS-485 permet de raccorder 30 unités maxi. à une seule unité master.

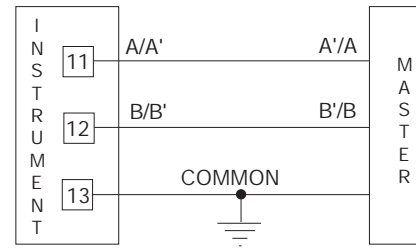


Fig. 12 - RACCORDEMENT DE LA LIAISON NUMERIQUE RS-485

Les câbles de raccordement ne doivent pas dépasser 1500 mètres, avec une vitesse de transmission égale à 9600 BAUD

NOTES:

- 1) Cette liaison numérique est isolée.
- 2) Ci-après nous reportons la définition d'après les normes EIA pour les liaisons numériques RS-422 et RS-485 concernant la signification et la direction de la tension aux bornes.
 - a) La borne "A" du générateur doit être négative par rapport à la borne "B" pour l'état binaire 1 (MARK ou OFF).
 - b) La borne "A" du générateur doit être positive par rapport à la borne "B" pour l'état binaire 0 (SPACE ou ON).



D) ALIMENTATION

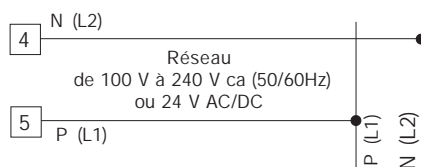


Fig. 13 RACCORDEMENT A L'ALIMENTATION

NOTES:

- 1) Avant de raccorder l'instrument au réseau, vérifiez que la tension de ligne correspond aux indications de la plaque signalétique de l'instrument.
- 2) Pour éviter le risque d'électrocution ne raccordez l'alimentation qu'après avoir effectué tous les autres raccordements.
- 3) Le raccordement au réseau doit être effectué à l'aide de câbles n° 16 AWG ou supérieurs, résistant à une température mini. de 75°C.
- 4) Utilisez exclusivement des conducteurs en cuivre.
- 5) Évitez de placer les câbles des signaux parallèlement ou à proximité des câbles de puissance ou des sources de perturbations.
- 6) En cas d'alimentation de 24 V c.c. la polarité n'a aucune importance.
- 7) L'entrée d'alimentation **N'EST PAS** protégée par le fusible; nous conseillons d'en prévoir un à l'extérieur ayant les caractéristiques suivantes:

Alimentation	Type	Courant	Tension
24 V AC/DC	T	500 mA	250 V
100/240 V AC	T	125 mA	250 V

Si le fusible est endommagé nous recommandons de vérifier tout le circuit d'alimentation. Nous conseillons donc de renvoyer l'instrument au fabricant.

- 8) Les normes sur la sécurité concernant les instruments raccordés en permanence à l'alimentation électrique exigent:
 - d'inclure un interrupteur ou un disjoncteur sur l'installation électrique de l'immeuble;
 - il doit se trouver à proximité de l'instrument et l'opérateur doit pouvoir y accéder facilement;
 - il doit être marqué comme le dispositif de coupure de l'instrument.

NOTE: un seul interrupteur ou disjoncteur peut commander plusieurs instruments.

- 9) Si l'alimentation prévoit le fil de neutre, le brancher au contact 4.



MISE AU POINT PRELIMINAIRE DU MATERIEL INFORMATIQUE

- 1) Extraire l'instrument de son boîtier.
- 2) Sélectionner le type d'entrée désirée en positionnant le contact J106 suivant les indications reportées au tableau ci-dessous:

Entrée type	J106				
	1-2	3-4	5-6	7-8	9-10
TC-RTD	ouvert	fermé	ouvert	ouvert	ouvert
60 mV	ouvert	fermé	ouvert	ouvert	ouvert
5 V	fermé	ouvert	fermé	ouvert	ouvert
10 V	ouvert	ouvert	fermé	ouvert	ouvert
20 mA	ouvert	ouvert	ouvert	fermé	fermé

NOTE: le contact non utilisé peut être placé sur les fiches 7-9.

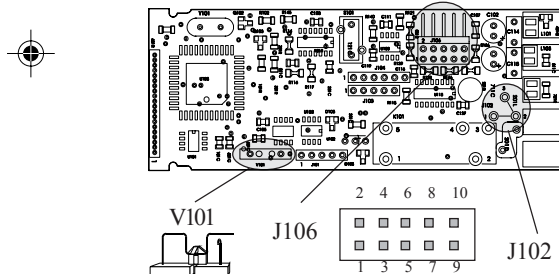


Fig. 14

- 3) Sélectionner le contact utilisé pour la SORTIE 1 en programmant le jumper à souder J 102 suivant les indications au tableau suivant:

Contact	NO (standard)	NC
J102	1 - 2	2 - 3

OUVERTURE DU CIRCUIT D'ENTREE

Ces instruments permettent de relever l'ouverture du circuit d'entrée.

Pour les entrées de RTD, l'ouverture du circuit d'entrée est visualisée comme une condition de dépassement d'échelle positif.

Pour les entrées de TC, on peut, au contraire, sélectionner le type d'indication en positionnant les contacts CH2 et SH2 comme suit:

Dép. d'échelle positif (std) CH2 = fermé SH2 = ouvert
 Dép. d'échelle négatif CH2 = ouvert SH2 = fermé

Les deux éléments se trouvent sur le côté de la soudure de la carte CPU.

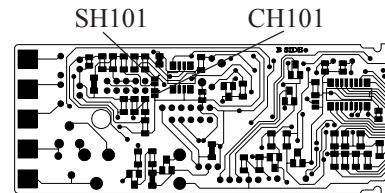


Fig. 15



SELECTION DE LA FONCTION DE L'ENTREE "IN CT/SP-SP2".

Cet instrument peut utiliser l'entrée "IN CT/SP-SP2" (bornes 14 et 15) en tant qu'entrée de transformateur ampèremétrique ou comme entrée logique.

L'entrée à partir du transformateur ampèremétrique permet de mesurer et de visualiser le courant circulant pendant les périodes ON et OFF dans la charge pilotée par la sortie 1, cette caractéristique est utilisée dans la fonction "alarme d'anomalie à la sortie 1" (voir la description page 20), tandis que l'entrée logique est utilisée pour sélectionner le point de régulation de fonctionnement (point de régulation principal ou auxiliaire).

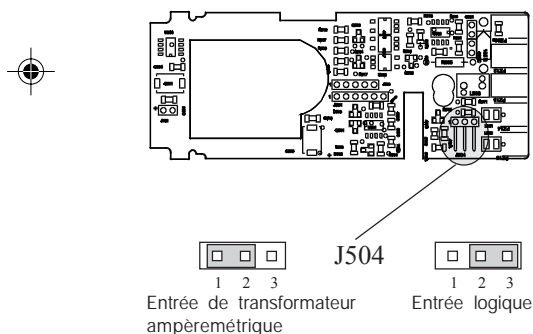


Fig. 16

NOTES GENERALES de configuration

- FUNC = Permet de mémoriser la nouvelle valeur du paramètre sélectionné et passer au paramètre suivant (ordre croissant).
- MAN = Permet de visualiser les paramètres en ordre décroissant sans mémoriser les nouvelles valeurs.
- ▲ = Permet d'augmenter la valeur du paramètre sélectionné.
- ▼ = Permet de diminuer la valeur du paramètre sélectionné.

PROCEDURES CONFIGURATION

- 1) Extraire l'instrument de son boîtier.
- 2) Préparer le contact interne V101 (voir fig. 14) sur la position ouverte.
- 3) Rebrancher l'instrument
- 4) Alimenter l'instrument.

L'indicateur affiche CONf.

NOTE: Si l'indicateur affiche "CAL" appuyer immédiatement sur la touche ▲ et revenir à la procédure de configuration.

- 5) Appuyer sur la touche FUNC.

SER1 = Protocole de liaison numérique

- OFF = Liaison numérique non utilisée
- Ero = interrogation/sélection ERO
- nbUS = Modbus
- jbUS = Jbus

SER2 = Adresse pour la liaison numérique

N'est pas disponible quand SER1 = OFF

Disponibilité:

- de 1 - 99 pour le protocole ERO.
- de 1 à 255 pour tous les autres protocoles.

NOTE: La liaison numérique RS 485 permet de raccorder un maximum de 31 instruments sur la même ligne.



SEr3 = Vitesse de transmission des données

N'est pas disponible quand SEr1 = OFF.

Vitesse: de 600 à 19200 bauds.

NOTE: les 19200 bauds sont visualisés par 19.2.

SEr4 = Format de la liaison numérique

Non disponible si SEr1 = OFF

7e = 7 bit + bit de parité (uniquement protocole ERO)

7O = 7 bit + bit de disparité (uniquement protocole ERO)

8E = 8 bit + bit de parité

8O = 8 bit + bit de disparité

8 = 8 bit sans parité

P1 - Type d'entrée et échelle de mesure

0 = TC type L échelle 0 / +400.0 °C

1 = TC type L échelle 0 / +900 °C

2 = TC type J échelle -100.0 / +400.0 °C

3 = TC type J échelle -100 / +1000 °C

4 = TC type K échelle -100.0 / +400.0 °C

5 = TC type K échelle -100 / +1370 °C

6 = TC type N échelle -100 / +1400 °C

7 = TC type R échelle 0 / +1760 °C

8 = TC type S échelle 0 / +1760 °C

9 = RTD type Pt 100 échelle -199.9 / +400.0 °C

10 = RTD type Pt 100 échelle -200 / +800 °C

11 = mV Linéaire échelle 0 / 60 mV

12 = mV Linéaire échelle 12 / 60 mV

13 = mA Linéaire échelle 0 / 20 mA

14 = mA Linéaire échelle 4 / 20 mA

15 = V Linéaire échelle 0 / 5 V

16 = V Linéaire échelle 1 / 5 V

17 = V Linéaire échelle 0 / 10 V

18 = V Linéaire échelle 2 / 10 V

19 = TC type L échelle 0 / +1650 °F

20 = TC type J échelle -150 / +1830 °F

21 = TC type K échelle -150 / +2500 °F

22 = TC type N échelle -150 / +2550 °F

23 = TC type R échelle 0 / +3200 °F

24 = TC type S échelle 0 / +3200 °F

25 = RTD type Pt 100 échelle -199.9 / +400.0 °F

26 = RTD type Pt 100 échelle -330 / +1470 °F

27 = TC type T échelle -199.9 / +400.0 °C

28 = TC type T échelle -330 / +750 °F

NOTE: en programmant P1 = 0, 2, 4, 9, 25 ou 27 l'instrument programme automatiquement P36 = FLtr. Pour toutes les autres échelles P36 = nOFL. Si l'on désire une programmation différente, modifier le paramètre P36.

P2 = Position du point décimal

Ce paramètre est exclusivement disponible pour les entrées linéaires (P1, = 11, 12, 13, 14, 15, 16, 17 ou 18).

----. = Aucun chiffre décimal.

----. = Un chiffre décimal.

---. = Deux chiffres décimaux.

-. = Trois chiffres décimaux.

P3 = Valeur d'échelle mini

Pour les entrées linéaires, P3 est programmable de -1999 à 4000.

Pour les entrées de TC et RTD, P3 est programmable à l'intérieur de l'échelle.

Quand le paramètre P3 est modifié, l'instrument fixe automatiquement au paramètre rL la nouvelle valeur de P3.

P4 = Valeur d'échelle maxi.

Pour les entrées linéaires, P3 est programmable de -1999 à 4000.

Pour les entrées de TC et RTD, P3 est programmable à l'intérieur de l'échelle d'entrée avec les limites indiquées ci-après.

Quand le paramètre P4 est modifié, l'instrument fixe automatiquement au paramètre rH la nouvelle valeur de P4.





Les valeurs d'échelle mini. et maxi. sont utilisées par l'algorithme PID, par la fonction SMART et par les fonctions d'alarmes, pour calculer l'étendue de l'échelle d'utilisation.

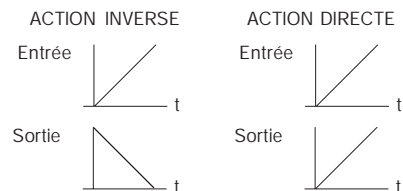
NOTE: L'étendue minum de l'échelle d'utilisation ($S = P4 - P3$), en valeur absolue, est égale à:
 Pour les entrées linéaires, $S > 100$ unités.
 Pour les entrées de TC avec indication °C $S > 300$ °C.
 Pour les entrées de TC avec indication °F $S > 550$ °F.
 Pour les entrées de RTD avec indication °C $S > 100$ °C
 Pour les entrées de RTD avec indication °F $S > 200$ °F

P5 = Type de sortie 1

rEL = Relais (le temps de cycle (Cy1) sera forcé à 15s)
 Ssr = SSR (le temps de cycle (Cy1) sera forcé à 4s)

P6 = Action de la sortie 1

Ce paramètre n'apparaît pas quand $P7 = 4$.
 rEV = Action inverse (Chauffage)
 dir = Action directe (Refroidissement)



P7 = Fonction de la sortie 2.

- 0 = sortie non utilisée
- 1 = sortie de l'alarme 1 avec alarme 1 programmée en tant qu'alarme de procédé.
- 2 = sortie de l'alarme 1 avec alarme 1 programmée en tant qu'alarme de bande.
- 3 = sortie de l'alarme 1 avec alarme 1 programmée en tant qu'alarme de déviation.
- 4 = deuxième sortie de régulation (sortie de refroidissement).

NOTE: Si $p7 = 4$, $P6$ est forcé à la condition rEV.

P8 = Fluide de refroidissement.

Uniquement disponible si $P7 = 4$.

- Alr = air.
- OIL = huile
- H2O = eau

En modifiant la valeur de $P8$, le temps de cycle et le gain correspondant de refroidissement seront forcés pour prendre la valeur correspondante prédéfinie, soit:

- Si $P8 = \text{Alr}$ - $\text{Cy}2 = 10\text{s}$ et $\text{rC} = 1.00$
- $P8 = \text{OIL}$ - $\text{Cy}2 = 4\text{s}$ et $\text{rC} = 0.80$
- $P8 = \text{H}2\text{O}$ - $\text{Cy}2 = 2\text{s}$ et $\text{rC} = 0.40$

P9 = Etat de fonctionnement de l'alarme 1

Uniquement disponible si $P7$ est égal à 1, 2 ou 3.
 H.A. = maximum (hors bande) avec initialisation automatique.
 L.A. = minimum (à l'intérieur de la bande) avec initialisation automatique.
 H.L. = maximum (hors bande) avec initialisation manuelle.
 L.L. = minimum (à l'intérieur de la bande) avec initialisation manuelle.



P10 = Mesure de courant pour l'alarme d'anomalie à la sortie 1 (voir "état de fonctionnement de l'afficheur" et "alarme d'anomalie à la sortie 1")

OFF = mesure de courant invalidée

SP2 = entrée numérique pour la sélection SP ou SP2.

n.O. = Mesure du courant quand la charge est sous tension pendant la période ON de la sortie principale (condition logique 1 pour la sortie SSR ou le relais excité).

n.C = Mesure du courant quand la charge est sous tension pendant la période OFF de la sortie principale (condition logique 0 pour la sortie SSR ou le relais désexcité).

P11 = Champ de mesure transformateur ampèremétrique

Ce paramètre est exclusivement disponible si P10 est autre que OFF ou SP2 et peut être programmé de 10 à 100 A.

P12 = Fonction de la sortie 3

0 = Alarme 2 non utilisée

1 = sortie de l'alarme 2 avec alarme 2 programmée en tant qu'alarme de procédé.

2 = sortie de l'alarme 2 avec alarme 2 programmée en tant qu'alarme de bande.

3 = sortie de l'alarme 2 avec alarme 2 programmée en tant qu'alarme de déviation.

NOTE : L'alarme d'anomalie sur la sortie 1 et l'alarme 2 utilisent toutes deux la sortie 3 (condition OR).

P13 = Dialogue utilisateur alarme 2 et type d'initialisation pour l'alarme d'anomalie à la sortie 1

Disponible si P12 est autre que 0, ou P10 est autre que OFF.

H.A. = maximum (hors bande) avec initialisation automatique.

L.A. = minimum (à l'intérieur de la bande) avec initialisation automatique.

H.L. = maximum (hors bande) avec initialisation manuelle.

L.L. = minimum (à l'intérieur de la bande) avec initialisation manuelle

NOTE: L'alarme d'anomalie à la sortie 1 est toujours une alarme de minimum mais remplit la fonction d'initialisation (manuelle ou automatique) choisie par ce paramètre (voir la description page 20).

P14 = Programmabilité du seuil et de l'hystérésis de l'alarme 2.

Uniquement disponible si P12 est autre que 0.

OPrt = Le seuil et l'hystérésis de l'alarme 2 peuvent être modifiés pendant l'état de fonctionnement.

CO nF = Le seuil et l'hystérésis de l'alarme 2 peuvent être modifiés pendant l'état configuration.

P15 = Seuil alarme 2.

Uniquement disponible si P12 est autre que 0 et P14 = CO nF.

Champ: Pour une alarme de processus - à l'intérieur de l'échelle d'entrée.

Pour une alarme de bande - de 0 à 500 unités

Pour des alarmes de déviation - de -500 à 500 unités.

P16 = Hystérésis de l'alarme 2

Uniquement disponible si P12 est autre que 0 et P14 = CO nF.

Etendue: de 0.1% à 10.0% de l'amplitude de l'échelle de travail (P4-P3) ou 1LSD.



P17 = Seuil de la fonction SOFT START.

Seuil, exprimé en unité technique, pour l'activation de la fonction SOFT START (limite temporisée du niveau de sortie) à l'allumage. Echelle: à l'intérieur du champ de visualisation.

NOTE: ce seuil n'a aucune signification si le paramètre tOL = InF.

P18 = Clé de sécurité

0 = Aucune protection des paramètres. L'instrument est toujours non protégé et tous les paramètres sont modifiables.

1 = L'instrument est toujours protégé et aucun paramètre (sauf le point de consigne [SP ou SP2] et l'initialisation manuelle des alarmes) ne peut être modifié (pour la protection de la fonction SMART se reporter au paramètre P27).

de 2 à 4999 = Ce code secret sera utilisé pendant le dialogue utilisateur pour activer ou désactiver la protection du paramètre de régulation. Pour le point de consigne (SP/SP2) et l'initialisation manuelle des alarmes, la protection des paramètres n'a aucun effet (pour la fonction SMART voir page 27).

de 5000 à 9999 = Ce code secret sera utilisé pendant le dialogue utilisateur pour activer ou désactiver la protection des paramètres de régulation. Pour le point de consigne (SP/SP2), l'initialisation manuelle des alarmes AL1, AL2, Hbd et SCA, la protection des paramètres n'a aucun effet (pour la fonction SMART voir P27).

NOTE : pendant la configuration de P18, le système affiche 0, 1, SFt.A (pour un code secret compris entre 2 et 4999) ou SFt.b (pour un code secret compris entre 5000 et 9999).

La procédure de configuration est achevée et l'instrument affiche alors "-.-.-.-" sur les deux indicateurs.

Pour avoir accès aux paramètres de configuration secondaires:

- 1) En utilisant les touches ▲ et ▼ entrer le code 234.
- 2) Appuyer sur la touche FUNC.

P19 = Action de l'alarme 1.

Uniquement disponible si P7 est autre que 0 ou 4.
dir = Action directe (relais excité en présence d'alarme)

rEV = Action inverse (relais désexcité en présence d'alarme).

P20 = Inhibition de l'alarme 1

Uniquement disponible si P7 est autre que 0 ou 4.
OFF = Inhibition invalidée
On = Inhibition autorisée

NOTE: Pour les alarmes de bande ou de déviation, cette fonction inhibe les conditions d'alarme après la modification du point de consigne ou à la mise en service tant que la variable du processus n'a pas atteint la valeur de seuil. Pour les alarmes de procédé, cette fonction n'inhibe les conditions d'alarme qu'à la mise en service tant que la variable du processus n'a pas atteint la valeur de seuil.

P21 = Action de l'alarme 2 et de l'alarme d'anomalie à la sortie 1

Disponible si P12 est autre que 0 ou P10 = "n.C" ou "n.O".

dir = action directe
rEV = action inverse.

P22 = Inhibition de l'alarme 2

Uniquement disponible si P12 est autre que 0.
OFF = Inhibition invalidée
On = Inhibition autorisée





NOTE: Pour d'autres détails sur la fonction d'inhibition, se reporter au paramètre P20.

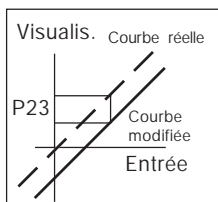
P23 = Déviation appliquée à la valeur mesurée

Ce paramètre permet de programmer une déviation constante sur tout le champ de mesure.

P23 n'est pas disponible pour les entrées linéaires.

- Pour des échelles de visualisation avec chiffre décimal, P23 peut être programmé de -19.9 à 19.9

- Pour des échelles de visualisation sans chiffre décimal, P23 peut être programmé de -199 à 199.



P24 = N'est pas disponible

P25 = Visualisation des paramètres protégés

Ce paramètre N'EST PAS disponible si P18 = 0.

OFF = Les paramètres protégés ne sont pas affichés.

On = Les paramètres protégés peuvent être affichés.

P26 = Fonctionnement MANUEL

OFF = MANUEL invalidé

On = MANUEL peut être autorisé/invalidé en appuyant sur la touche MAN.

P27 = Fonction SMART.

0 = La fonction SMART est invalidée.

1 = La fonction SMART n'est pas protégée par la clé de sécurité.

2 = La fonction SMART est protégée par la clé de sécurité.

P28 = Gain relatif de refroidissement calculé de la fonction SMART

Ce paramètre est uniquement disponible si P7 = 4 et P27 est autre que 0.

OFF = La fonction SMART ne calcule pas la valeur du paramètre rC

On = La fonction SMART calcule également la valeur du paramètre rC.

P29 = Valeur maxi. de bande proportionnelle programmable pour la fonction SMART

Uniquement disponible si P27 est autre que 0.

Ce paramètre est programmable de P30 ou P31 à 100.0%.

P30 = Valeur mini. de bande proportionnelle programmable pour la fonction SMART quand l'instrument utilise 2 sorties de régulation.

Ce paramètre n'est disponible que si P7 = 4 et P27 est autre que 0.

P30 est programmable de 1.5% à la valeur de P29.

P31 = Valeur mini. de bande proportionnelle programmable pour la fonction SMART quand l'instrument n'utilise que 1 sortie de régulation.

Uniquement disponible quand P7 est autre que 4 et P27 est autre que 0.

P31 est programmable de 1.0% à la valeur de P29.



P32 = Valeur mini. de temps Intégral programmable pour fonction SMART

Uniquement disponible si P27 est autre que 0.
P32 est programmable de 1 seconde (0.20) à 2 minutes (2.00).

P33 = Etat de l'instrument à la mise en service

Ce paramètre n'est pas disponible si P26 = OFF.
0 = L'instrument démarre sur AUTOMATIQUE
1 = L'instrument démarre suivant l'état qu'il avait avant d'être éteint.

P34 = N'est pas disponible

P35 = Sélection du temps différé

Ce paramètre permet de modifier la durée du temps différé appliqué à la modification des paramètres et utilisé par l'instrument pendant la phase de fonctionnement.

tn. 10 = 10 secondes
tn. 30 = 30 secondes

P36 = Filtre digitale d'acquisition de la mesure.

P36 permet d'appliquer à la valeur mesurée un filtre digitale ayant une constante de temps égale à:
- 4 sec. pour entrées de TC ou RTD
- 2 sec. pour entrées linéaires
noFL = aucun filtre
Fltr = Filtre autorisé

P37 = Fonctionnement valeur de sécurité de la sortie

0 = Aucune sécurité (voir "Messages d'erreur")

- 1 = Valeur de sécurité utilisée quand l'instrument relève une condition de dépassement d'échelle positif ou négatif.
- 2 = Valeur de sécurité utilisée quand l'instrument relève une condition de dépassement d'échelle positif
- 3 = Valeur de sécurité utilisée quand l'instrument relève une condition de dépassement d'échelle négatif.

P38 = Valeur de sécurité pour la sortie de régulation

P38 n'est pas disponible si P37 est autre que 0.
- De 0 à 100% quand P7 est autre que 4.
- De -100% à 100% quand P7 est égal à 4

P39 = Extension de l'anti-initialisation - wind up

Echelle : de -30 à +30 % de la bande proportionnelle.
NOTE: une valeur positive augmente la limite maxi. de la fonction (au-dessus du point de consigne) tandis qu'une valeur négative diminue la limite mini. de la fonction (en-dessous du point de consigne).

P40 = Type d'action de régulation

Pid = L'instrument agit avec l'algorithme PID
Pi = L'instrument agit avec l'algorithme PI.

P41 = Indication du point de consigne

Fn.SP = au cours du dialogue utilisateur, quand l'instrument effectue une rampe, l'indicateur inférieur visualise le point de consigne inférieur.
OP.SP = au cours du dialogue utilisateur, quand l'instrument effectue une rampe, l'indicateur inférieur visualise le point de consigne de fonctionnement.





P42 = Alignement du point de consigne de fonctionnement à la mise en service.

- 0 = À la mise en service, le point de consigne de fonctionnement est aligné sur la valeur de SP ou SP2 en fonction de l'état de l'entrée logique.
- 1 = À la mise en service, le point de consigne de fonctionnement est aligné sur la valeur mesurée pour atteindre ensuite le point de consigne sélectionné au moyen d'une rampe programmable (voir les paramètres de fonctionnement Grd1 et Grd2).

NOTE: si l'instrument relève une sortie d'échelle ou une condition d'erreur sur la valeur mesurée, on agit comme si P42 est égal à 0.

Les procédures de configuration sont achevées et l'instrument affiche de nouveau "CONF".





DIALOGUE UTILISATEUR

- 1) Extraire l'instrument de son boîtier.
- 2) Programmer le contact V101 sur la position fermée.
- 3) Rebrancher l'instrument.
- 4) Alimenter l'instrument.

FONCTIONNEMENT DE L'INDICATEUR

L'indicateur supérieur affiche la valeur mesurée et l'indicateur inférieur affiche la consigne programmée (cet état est appelé "état normal de visualisation")

Note: Quand on applique une rampe au point de régulation (Grd1, Grd2), la valeur de la consigne affichée pourrait être autre que la valeur de fonctionnement.

Pour modifier la visualisation de l'indicateur inférieur agir comme suit:

- Appuyer sur la touche FUNC pendant un laps de temps compris entre 3 et 10 sec. L'indicateur inférieur affiche "A.", suivi par la valeur de courant utilisé par la charge (piloté par la sortie 1) quand la charge est sous tension (ON) (voir la fonction d'alarme pour l'anomalie sur la sortie 1).
- Appuyer de nouveau sur la touche FUNC. L'indicateur inférieur affiche «b» suivi par la valeur de courant de perte sur la charge (piloté par la sortie 1) quand la charge n'est pas sous tension (OFF) (voir la fonction d'alarme pour l'anomalie à la sortie 1).
- Appuyer de nouveau sur la touche FUNC. L'indicateur inférieur affiche "H" suivi par le niveau de la sortie 1 (de 0 à 100%)
- Appuyer de nouveau sur la touche FUNC. L'indicateur inférieur affiche "C" suivi par le

niveau de la sortie 2 (de 0 à 100%)

- Appuyer de nouveau sur la touche FUNC et l'indicateur retourne à l'état normal de visualisation.

NOTE: Les indications "A", "b", et "C" ne seront visualisées que si on a programmé la fonction relative.

En n'appuyant sur aucune touche pendant un temps supérieur à celui du temps de modification (voir P35), l'indicateur retourne automatiquement sur l'état normal de visualisation.

Pour conserver de façon stable la visualisation sélectionnée, appuyer sur la touche ▲ ou ▼.

Pour retourner à "l'état normal de visualisation" appuyer sur la touche FUNC.

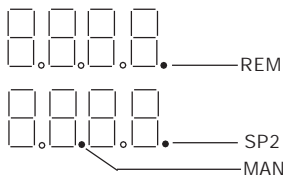
INDICATEURS

- °C Allumé quand la variable mesurée est affichée en degrés centigrades.
- °F Allumé quand la variable mesurée est affichée en degrés Fahrenheit.
- SMRT Clignote quand la fonction SMART effectue la première phase d'auto-sintonisation
Lumière fixe quand la fonction SMART effectue la deuxième phase d'auto-sintonisation.
- OUT1 Allumé quand la sortie 1 est en état ON
- OUT2 Allumé quand la sortie 2 est en état ON ou l'alarme 1 est en état d'alarme.
- OUT3 Allumé quand l'alarme 2 est en état d'alarme.
Il clignote lentement quand la fonction «alarme d'anomalie sur la sortie 1» est en condition d'alarme.
Il clignote rapidement quand l'alarme 2 et la fonction «alarme d'anomalie sur la sortie 1» sont en condition d'alarme.





Les autres fonctions sont indiquées par des points décimaux.



REM = Clignote quand les fonctionnes et les paramètres sont contrôlés par une liaison numérique.

SP2 = Clignote lentement, quand l'instrument est en train d'utiliser le point de regulation SP2. Clignote rapidement, quand le point de regulation utilisé provient d'une liaison numérique.

MAN= Clignote quand le fonctionnement est en MANUEL.

Fonctionnement des touches pendant le dialogue utilisateur

FUNC = quand l'instrument est en "état normal de visualisation"

- 1) une brève pression (<3sec) permet le commencement des procédures de modification des paramètres.
- 2) une pression comprise entre 3 et 10 secondes permet de modifier la visualisation de l'indicateur inférieur (voir « état de fonctionnement de l'indicateur »).
- 3) une pression pendant plus de 10 sec. permet de valider le test de l'indicateur (voir « Lamp Test »).

Pendant la modification des paramètres permet de mémoriser la nouvelle valeur du paramètre sélectionné et de passer au paramètre suivant (ordre croissant).

MAN = Une pression au-delà de 1 s, permet d'autoriser/invalider la fonction manuelle.

Pendant la modification des paramètres elle permet de revenir au paramètre précédent sans mémoriser la nouvelle valeur du paramètre actuel.

▲ = permet d'incrémenter la valeur du paramètre sélectionné;

permet d'incrémenter la valeur de la sortie pendant le mode MANUEL.

▼ = permet de décrémenter la valeur du paramètre sélectionné.

permet de décrémenter la valeur de la sortie pendant le mode MANUEL.

▲+FUNC = Si l'instrument est en "état normal de visualisation", cette fonction permet d'autoriser ou d'invalider la sortie de régulation.

▲+MAN = pendant la modification des paramètres, cette fonction permet le saut immédiat au maximum de la valeur programmable.

▼+MAN = pendant la modification des paramètres, cette fonction permet le saut immédiat au minimum de la valeur programmable.

NOTE: Un temps différé de 10 ou de 30 secondes (voir P39) est appliqué à la modification des paramètres pendant l'utilisation.

Si, au cours de la phase de modification d'un paramètre, on n'appuie sur aucune touche pendant un temps supérieur à celui du temps différé, l'instrument retourne automatiquement à l'état normal de visualisation en perdant la nouvelle valeur du paramètre sélectionné.



AUTORISATION/INVALIDATION DE LA SORTIE DE REGULATION

Quand l'instrument est en état normal de visualisation, en appuyant pendant plus de 5 secondes sur les touches ▲ et FUNC, on peut invalider la sortie de régulation.

De cette façon l'instrument agit en tant que simple indicateur. L'indicateur inférieur affiche "OFF" et toutes les sorties de régulation iront à OFF.

Quand les sorties de réglage sont invalidées, les alarmes sont également en état d'absence d'alarme. L'état des sorties d'alarme dépend de la configuration de l'instrument (voir P19-P21).

Pour activer de nouveau le fonctionnement de l'instrument, appuyer pendant plus de 5 secondes sur les touches ▲ et FUNC.

L'inhibition des alarmes, si programmée, reste autorisée (voir P20).

En cas de chute de tension tandis que la sortie de régulation est invalidée, au moment de la nouvelle mise en service, l'instrument invalidera automatiquement les sorties de régulation.

SELECTION CONSIGNE PRINCIPALE OU AUXILIAIRE

La sélection entre consigne principale et consigne auxiliaire ne peut se faire que par un contact extérieur (bornes 14 et 15).

Cette fonction exclut la fonction d'alarme d'anomalie à la sortie 1.

À travers le paramètre P41 on peut sélectionner le point de consigne (inférieur ou de fonctionnement), qui l'instrument visualisera pendant l'exécution d'une rampe.

ALARME D'ANOMALIE DE LA SORTIE 1

Cette alarme peut mesurer et visualiser:

- le courant circulant dans la charge (piloté par la sortie 1) quand la charge est sous tension;
- le courant de perte circulant dans la charge (piloté par la sortie 1), quand la charge n'est pas sous tension.

Si le paramètre P10 a été configuré correctement, l'instrument crée un signal d'alarme quand :

- le courant circulant dans la charge est inférieur au seuil programmé dans le paramètre «Hbd» (éventuelle rupture partielle ou totale de la charge, éventuelle rupture de l'actionneur ou chute de tension due à l'intervention d'un dispositif de sécurité);
- le courant de perte est supérieur au seuil programmé dans le paramètre «SCA» (éventuel court-circuit de l'actionneur)

Pour la visualisation de la mesure voir le paragraphe «Etat de fonctionnement de l'indicateur».

La condition d'erreur est signalée par le clignotement de la LED «OUT3» et par le relais de la sortie 2. Si la période ON ou OFF du temps de cycle de la charge est inférieure à 400 ms, la mesure en courant ne sera pas exécutée et l'indicateur clignote pour indiquer la dernière valeur mesurée.

MODIFICATION DIRECTE DU POINT DE CONSIGNE

Quand l'instrument est à l'état AUTO et "visualisation normale", on peut modifier directement le point de consigne de travail (SP ou SP2) sans avoir besoin de consulter les paramètres.

En appuyant sur la touche ▲ ou ▼ pendant plus de 2 secondes, le point de consigne visualisé commence à varier. La nouvelle valeur devient opérationnelle 2 secondes après la dernière pression effectuée sur les touches.




FONCTIONNEMENT MANUEL

Le fonctionnement manuel peut être autorisé (uniquement s'il est autorisé par P26=On) en appuyant sur la touche "MAN" pendant plus d'1 seconde.

La commande n'est acceptée et effectuée que si l'instrument est en état manuel; le LED "MAN" clignote (point décimal à droite du deuxième chiffre de l'indicateur inférieur) et l'indicateur inférieur indique le niveau de sortie en pourcentage.

Les deux chiffres les plus significatifs indiquent le niveau de la sortie 1 tandis que les deux chiffres les moins significatifs indiquent le niveau de la sortie 2 (si elle existe).

Le point décimal situé entre les 2 valeurs clignote.

Note: le symbole graphique "  " indique

OUT1 = 100

le symbole graphique "  " indique

OUT2 = 100

On peut modifier le niveau de sortie en utilisant les touches "▲" et "▼".

En appuyant de nouveau sur la touche "MAN" l'instrument retourne à l'état AUTOMATIQUE.

Le passage de AUTOMATIQUE à MANUEL et vice-versa est sans à coup (cette fonction n'est pas disponible quand l'action intégrale est exclue).

Si le transfert de AUTOMATIQUE à MANUEL se fait pendant la première phase de l'algorithme SMART, quand l'instrument retourne sur AUTO la fonction SMART repart de la deuxième phase (ADAPTIVE).

A la mise en service l'instrument se positionne automatiquement sur l'état AUTO ou sur l'état auquel il se trouvait avant d'être éteint et dépend de la programmation du paramètre P33.

Note: Quand l'instrument démarre à l'état manuel, la puissance de sortie (OUT1-OUT2) est forcée à 0.

LIAISON NUMERIQUE

Cet instrument peut être connecté à un ordinateur central au moyen d'une liaison numérique.

L'ordinateur peut programmer l'instrument en état LOCAL (les fonctions et les paramètres peuvent être modifiés à partir du clavier) ou en état REMOTE (seul l'ordinateur peut modifier les fonctions et les paramètres).

L'état REMOTE est signalé par le clignotement d'une LED rouge (point décimal à droite du chiffre le moins significatif de l'indicateur supérieur) ayant le symbole REM.

Ces instruments permettent, au moyen d'une liaison numérique, de modifier la valeur de tous les paramètres de fonctionnement et de configuration.

Les conditions nécessaires pour utiliser cette fonction sont les suivantes:

- 1) Les paramètres numériques SEr1 et SEr4 doivent être programmés correctement.
- 2) L'instrument doit être en état de fonctionnement.

Pendant le chargement des paramètres, l'instrument n'effectue pas la régulation et force les sorties de régulation sur 0.

A la fin de la procédure de configuration, l'instrument reprend automatiquement la régulation en boucle fermée en utilisant les nouvelles programmations.



LAMP TEST

Pour vérifier le fonctionnement correct de l'indicateur, appuyer sur la touche FUNC pendant un laps de temps supérieur à 10 sec et l'instrument allume toutes les LED de l'indicateur avec un cycle de fonctionnement égal à 50%.

Le LAMP TEST n'est pas soumis au temps différé.

Pour retourner au mode normal de visualisation, appuyer de nouveau sur la touche FUNC.

Pendant le LAMP TEST l'instrument conserve son état de fonctionnement, mais le clavier ne permet pas d'invalider le test.

FUNCTION SMART

Cette fonction permet d'optimiser automatiquement l'action de régulation.

Pour autoriser la fonction SMART, appuyer sur la touche FUNC et visualiser le paramètre Snrt.

En appuyant sur les touches ▲ ou ▼, visualiser la condition On sur l'indicateur supérieur et appuyer sur la touche FUNC.

La LED SMART s'allume avec une lumière fixe ou clignotante suivant la phase d'auto-syntonisation sélectionnée par l'instrument.

Quand la fonction SMART est autorisée, on peut visualiser les paramètres de contrôle mais non les modifier.

Pour invalider la fonction SMART il suffit de sélectionner le paramètre Snrt et d'entrer OFF sur l'indicateur supérieur; appuyer sur la touche FUNC.

L'instrument conserve les valeurs actuelles des paramètres de régulation et autorise la modification de ces mêmes paramètres.

- NOTES:**
- 1) En programmant la régulation ON/OFF (Pb=0) la fonction SMART est invalidée.
 - 2) L'autorisation/invalidation de la fonction SMART peut être protégée par la clé de sécurité (se reporter au paramètre P27).





PARAMETRES DE FONCTIONNEMENT

Appuyer sur la touche FUNC et l'écran inférieur affiche le code tandis que l'écran supérieur affiche la valeur du paramètre sélectionné.

En appuyant sur les touches ▲ et ▼ on peut programmer la valeur et l'état désirés.

En appuyant sur la touche FUNC l'instrument mémorise la nouvelle valeur (ou le nouvel état) et visualise le paramètre suivant.

Quelques uns des paramètres suivants peuvent ne pas être affichés en fonction de la configuration de l'instrument.

Param. Description

SP	Point de régulation (en unités techniques) Echelle: de rL à rH. SP est en état de fonctionnement quand l'entrée logique est ouverte.
Snrt	Etat de la fonction SMART Les indications On ou OFF indiquent l'état actuel de la fonction SMART. Programmer On pour autoriser SMART. Programmer OFF pour invalider SMART.
n.rSt	Acquit manuel des alarmes Ce paramètre n'est visualisé que si au moins une des alarmes prévoit l'acquit manuel. Programmer On et appuyer sur FUNC pour l'acquit des alarmes.
SP2	Point de consigne 2 (en unités techniques) Echelle: de rL à rH. SP2 est en état de fonctionnement quand le contact raccordé à l'entrée logique est fermé.
nnn	Clé de protection des paramètres- "nnn" n'est pas visualisé si P18 = 0 ou 1. On = La protection des paramètres est active

OFF = La protection des paramètres est inactive.

Pour désactiver la protection des paramètres programmer une valeur égale à la valeur attribuée au paramètre P18

Pour réactiver la protection des paramètres, programmer une valeur différente de la valeur attribuée au paramètre P18.

AL1	Seuil d'alarme 1 Ce paramètre est visualisé si P7 est égal à 1, 2 ou 3. Pour les alarmes de procédé - de P3 à P4 Pour les alarmes de bande - de 0 à 500 Pour les alarmes de déviation - de -500 à +500
HSA1	Hystérésis de l'alarme 1 Ce paramètre est visualisé si P7est égal à 1, 2 ou 3. De 0.1 à 10.0 % de l'échelle P4-P3. Note: Si l'hystérésis d'une alarme de bande est plus grande que la bande programmée, l'instrument utilisera une valeur d'hystérésis égale à la valeur de bande moins 1 digit.
AL2	Seuil d'alarme 2 Ce paramètre est visualisé si P12 est égal à 1, 2 ou 3 et P14 = OPrt. (pour les limites d'échelle voir AL1)
HSA2	Hystérésis de l'alarme 2 Ce paramètre est visualisé si P12 est égal à 1, 2 ou 3 et P14 = OPrt. Pour plus de détails se reporter au paramètre HSA1.
Pb	Bande proportionnelle Echelle: - de 1,0% à 100,0% de l'échelle d'entrée si P7 est différent de 4. - de 1,5 à 100,0% de l'échelle d'entrée si P7 est égal à 4.





Quand Pb est égal à 0 l'action de contrôle devient ON/OFF.
Note: Quand l'instrument utilise la fonction SMART, Pb prend des valeurs comprises entre P29 et P30 ou P31.

HyS **Hystérésis de l'action ON/OFF.**
 Ce paramètre est uniquement disponible si Pb=0.
 Echelle: de 0,1% à 10,0% de l'étendue de l'échelle d'entrée.

ti **Temps intégral**
 Ce paramètre est sauté quand Pb = 0 (action ON/OFF).
 Echelle: de 00.01 à 20.00 [minutes, secondes].
 Au-delà de cette valeur l'indicateur s'assombrit et l'action intégrale est exclue.
Note: Quand l'instrument utilise la fonction SMART, "ti" prend les valeurs comprises entre 0 et la valeur de P32.

td **Temps dérivé**
 Ce paramètre est sauté quand Pb = 0 (action ON/OFF) ou P40 = Pi.
 Echelle: de 00,00 à 10,00 [minutes, secondes].
Note: Quand l'instrument utilise la fonction SMART "td" prendra une valeur égale à 1/3 de la valeur de "ti".

IP **Prérégulation de l'action intégrale**
 Ce paramètre est sauté quand Pb = 0
 Avec une sortie de régulation, IP est programmable de 0 à 100%
 Avec deux sorties de réglage, IP est programmable de -100% (100% refroidissement) à 100% (100% chauffage).

Cy1 **Temps de cycle sortie 1**
 Echelle: de 1 à 200 sec.

Cy2 **Temps de cycle sortie 2**
 Ce paramètre est uniquement disponible si P7 = 4.
 Echelle: de 1 à 200 sec.

rC **Gain relatif de refroidissement**
 Ce paramètre est uniquement disponible si l'instrument est configuré avec 2 sorties de régulation et Pb est autre que 0.
 Echelle: de 0,20 à 1,00.
Note: Quand l'instrument utilise la fonction SMART et P28 est programmé sur On, le paramètre rC sera limité en fonction du type d'élément réfrigérant sélectionné:
 - de 0,85 à 1,00 quand P8 = Air
 - de 0,80 à 0,90 quand P8 = OIL
 - de 0,30 à 0,60 quand P8 = H2O

OLAP **Superposition/bande morte entre chauffage et refroidissement**
 Ce paramètre est uniquement disponible si l'instrument est configuré avec 2 sorties de régulation et Pb est autre que zéro.
 Echelle: de -20 à 50% de la valeur de Pb.
 Une valeur négative indique une bande morte, tandis qu'une valeur positive indique une superposition.

rL **Limite inférieure du point de consigne**
 Echelle: de la valeur d'échelle mini. à rH.
Note: Quand P3 est modifié, rL prend la valeur de P3.

rH **Limite supérieure du point de consigne**
 Echelle: de rL à la valeur d'échelle maxi. (P4)
Note: Quand P4 est modifié, rH prendra la valeur de P4.

Grd1 **Rampe de croissance du point de consigne**
 Echelle: de 1 à 100 digit/minute.
 Au-delà de cette valeur, l'indicateur visualise "inf" est le transfert est à degré.





Grd2 **Rampe de décroissance du point de consigne**

Pour plus de détails se reporter au paramètre "Grd1".

OLH **Limite maxi. de la sortie de régulation**

Echelle:

- de 0,0 à 100,0% quand l'instrument utilise une sortie de régulation
- de -100,0 à 100,0% quand l'instrument utilise deux sorties de régulation.

tOL **Durée de la limite de la puissance de sortie (Soft Start)**

Echelle: de 1 à 540 minutes. Au-delà de cette valeur l'indicateur visualise "InF" et la limite est toujours active.

Note: tOL peut être modifié à tout moment, mais la nouvelle valeur ne sera active qu'au moment de la nouvelle mise en service de l'instrument.

Hbd **Valeur de seuil pour l'indication du courant utilisé par la charge pilotée via la sortie 1**

Ce paramètre est uniquement disponible si P10 = "N.O." ou "N.C.".

Echelle: de 0 à la valeur maxi. d'échelle (se reporter au paramètre P11).

La résolution de visualisation est égale à 0,1 A pour les capacités maxi. de 20 A ou 1 A pour les capacités maxi. 100 A.

L'hystérésis de cette alarme est fixée à 1%.

SCA **La valeur de seuil pour l'indication du courant de perte circulant dans la charge pilotée via la sortie 1**

Ce paramètre est uniquement disponible si P10 = "N.O." ou "N.C.".

Echelle: de 0 à la valeur maxi. d'échelle (se reporter au paramètre P11).

La résolution de visualisation est égale à 0,1 A pour les capacités maxi. de 20 A ou 1 A pour les capacités maxi. 100 A. L'hystérésis de cette alarme est fixée à 1%.

mP **Vitesse maxi. de variation de la sortie de régulation**

Ce paramètre est disponible uniquement si Pb est différent de 0. mP est programmable de 1% à 25% de l'amplitude de la sortie par seconde. Au-delà de 25%/s l'indicateur affiche "InF" et la limite est invalidée.



MESSAGES D'ERREUR

INDICATIONS DE SORTIE D'ECHELLE ET/OU RUPTURE DU CAPTEUR

Ces instruments permettent de relever les conditions de sortie d'échelle et si la variable dépasse les limites de champ fixées, au moyen du paramètre P1, l'instrument signale cette condition de sortie d'échelle en affichant sur l'écran supérieur l'indication suivante.



Une condition de **DEPASSEMENT D'ECHELLE NEGATIF** est affichée de la façon suivante:



Si P37 est égal à 0, on a l'une des conditions suivantes:

- Si l'instrument est programmé pour utiliser une seule sortie de régulation et a relevé une condition de dépassement d'échelle positif, la sortie 1 est forcée sur zéro (pour action inverse), ou à 100% (pour action directe).
- Si l'instrument est programmé pour utiliser deux sorties de régulation et a relevé une condition de dépassement d'échelle positif, la sortie 1 est forcée sur zéro et la sortie 2 à 100%.
- Si l'instrument est programmé pour utiliser une seule sortie de régulation et a relevé une condition de dépassement d'échelle négatif, la sortie 1 est forcée à 100% (pour action inverse) ou sur zéro (pour action directe).

- Si l'instrument est programmé pour utiliser deux sorties de régulation et a relevé une condition de dépassement d'échelle négatif, la sortie 1 est forcée à 100% et la sortie 2 est forcée sur zéro.

Quand P37 est autre que zéro et qu'il a été relevé une condition de sortie d'échelle, l'instrument agira en fonction de la programmation des paramètres P37 et P38.

La rupture du capteur est indiquée comme suit:

- entrée TC/mV: dépassement d'échelle positif ou dépassement d'échelle négatif pouvant être sélectionné par contact.
- entrée RTD: dépassement d'échelle positif
- entrée mA/V: dépassement d'échelle négatif

Notes: Pour les entrées linéaires on ne peut dépister la rupture du capteur que par les entrées 4-20 mA, 1-5 V ou 2-10 V).

Pour l'entrée RTD l'instrument signale une condition de dépassement d'échelle positif quand la résistance d'entrée est inférieure à 15 Ohm (relevé du court-circuit du capteur)

MESSAGES D'ERREUR

L'instrument est pourvu d'algorithmes d'auto-diagnostic.

Quand une erreur est détectée, l'instrument affiche sur l'indicateur inférieur "Err" et sur l'indicateur supérieur le code de l'erreur détectée.



LISTE DES ERREURS

SEr	Erreur dans les paramètres concernant la liaison numérique
100	Erreur d'écriture des EPROM
150	Erreur générale sur CPU
200	Essai d'écriture sur mémoire protégée
201-2xx	Erreur des paramètres de configuration. Les deux chiffres les moins significatifs indiquent le numéro du paramètre erroné (ex. 209 Err indique une erreur sur le paramètre P9)
301	Erreur de calibration de l'entrée RTD
305	Erreur de calibration de l'entrée TC/mV
307	Erreur de calibration de l'entrée RJ
310	Erreur de calibration de l'entrée TA
311	Erreur de calibration de l'entrée 20 mA
312	Erreur de calibration de l'entrée 5 V
313	Erreur de calibration de l'entrée 10 V
400	Erreur sur les paramètres de contrôle
500	Erreur de Auto-zéro
502	Erreur de RJ
510	Erreur au cours de la procédure de calibration

NOTES:

1. Quand l'instrument détecte une erreur sur les paramètres de configuration, il suffit de répéter la configuration du paramètre spécifique.
2. Si l'erreur 400 est détectée, appuyer en même temps sur les touches ▼ et ▲ pour charger les paramètres prédéfinis; répéter la programmation des paramètres de contrôle.
3. Pour toutes les autres erreurs contacter le fabricant.

CARACTERISTIQUES TECHNIQUES

SPECIFICATIONS TECHNIQUES

Boîtier: Polycarbonate couleur gris (RAL7043);
degré d'auto-extinction: V-0 suivant UL 94.

Protection panneau avant: Le produit est conçu pour garantir une protection IP 65 (*) et NEMA 4X pour utilisation à l'abri.

(* les vérifications ont été effectuées conformément aux standards CEI 70-1 et NEMA 250-1991).

Installation: Montage sur panneau

Face arrière: 15 bornes à vis (vis M3 pour câbles de \varnothing 0.25 à \varnothing 2.5 mm² ou de AWG 22 à AWG 14) avec les diagrammes de raccordement et les chapeaux de borne de sécurité.

Dimensions: suivant DIN 43700 48 x 48 mm, profondeur: 122 mm.

Masse: 250 g.

Allimentation:

- de 100V à 240V c.à. 50/60Hz (-15% à + 10% de la valeur nominale)

- 24 V c.c./c.à. (+ 10 % de la valeur nominale).

Autoconsommation : 8 VA maxi.

Résistance d'isolement: > 100 M Ω suivant IEC 1010-1.

Rigidité diélectrique: 1500 V rms suivant IEC 1010-1.

Intervalle d'échantillonnage:

- 250 ms pour les entrées linéaires

- 500 ms pour les entrées de TC ou RTD.

Résolution: 30000 comptes

Précision: + 0,2% v.f.s. + 1 digit @ 25 °C de température ambiante.

Réjection de mode commun 120 dB à 50/60 Hz.

Réjection de mode normal: 60 dB à 50/60 Hz.

Compatibilité électromagnétique et normes

de sécurité: Cet instrument est marqué CE; il est donc conforme aux directives 89/336/EEC, et aux directives 72/23/EEC et 93/68/EEC .

Catégorie d'Installation: II

Dérive thermique: (CJ exclue)

< 200 ppm/°C de l'étendue de l'échelle pour les entrées mV et TC échelles 1, 3, 5, 6, 19, 20, 21, 22.

< 300 ppm/°C de l'étendue de l'échelle pour les entrées mA/V.

< 400 ppm/°C de l'étendue de l'échelle pour les entrées RTD échelles 10, 26 et TC échelles 0, 2, 4, 27, 28.

< 500 ppm/°C de l'étendue de l'échelle pour les entrées RTD échelle 9 et TC échelles 7, 8, 23, 24.

< 800 ppm/°C de l'étendue de l'échelle pour les entrées RTD échelle 25.

Température de fonctionnement: de 0 à 50 °C.

Température de stockage: de -20 à +70 °C

Humidité: de 20 % à 85% RH, sans condensation.

Altitude: ce produit n'est pas convenable pour l'usage aux altitudes supérieures à 2000 m.

Protections:

- 1) WATCH DOG circuit pour le restart automatique
- 2) DIP SWITCH pour la protection des paramètres de configuration et de calibration

ENTREES

A) THERMOCOUPLES

Type: L -J -K -N -R -S -T. °C/°F sélectionnable.

Résistance extérieure: maxi. 100 Ω , avec erreur maxi. égale à 0,1% de l'étendue de l'échelle sélectionnée.

Burn out (rupture): signalé comme conditions de dépassement d'échelle positif (standard). Au moyen de contacts on peut sélectionner la visualisation de dépassement d'échelle négatif.

Soudure froide: compensation automatique de 0 à 50°C

Précision de la soudure froide : 0.1 °C/°C

Impédance d'entrée: > 1M Ω



Calibration: suivant IEC 584-1 et DIN 43710 -1977.

TABLEAU ECHELLES STANDARD

Type TC	Echelles		
L 0	0 / +400,0 °C		---
L 1	0 / + 900 °C	19	0 / + 1650 °F
J 2	-100.0 / +400.0 °C		---
J 3	-100 / + 1000 °C	20	-150 / + 1830 °F
K 4	-100.0 / +400.0 °C		---
K 5	-100 / + 1370 °C	21	-150 / + 2500 °F
N 6	-100 / + 1400 °C	22	-150 / + 2550 °F
R 7	0 / + 1760 °C	23	0 / + 3200 °F
S 8	0 / + 1760 °C	24	0 / + 3200 °F
T 27	-199.9 / +400.0 °C	28	-330 / + 750 °F

B) RTD (Résistance Temperature Detector)

Entrée: de RTD Pt 100 Ω, raccordement à 3 fils.

Circuit d'entrée: injection de courant.

Sélection °C/°F: au clavier ou liaison numérique.

Résistance de ligne: compensation automatique maxi. 20 Ω/fil avec erreur non mesurable.

Calibration: suivant DIN 43760

Burn-out (rupture): échelle maxi.

NOTE: Un contrôle spécial produit un signal de DEPASSEMENT D'ECHELLE POSITIF quand la résistance d'entrée est inférieure à 15 Ω.

TABLEAU ECHELLES STANDARD

Entrée Type	Echelles	
RTD Pt 100 Ω DIN 43760	9	- 199,9 / + 400,0 °C
	10	- 200 / + 800 °C
	25	-199,9 / +400,0 °F
	26	-330 / + 1470 °F

C) Entrées linéaires

Visualisation: programmable au clavier de -1999 à + 4000.

Point décimal: programmable sur toutes les positions

Burn out (rupture): l'instrument détecte les conditions de rupture pour les capacités 4-20 mA, 1-5V et 2-10 V en les indiquant comme les conditions de dépassement d'échelle positif. Pour les capacités 0-60 mV et 12-60 mV l'indication de rupture peut être sélectionnée au moyen des contacts.

Aucune indication n'est prévue pour les capacités 0-20 mA, 0-5 V et 0-10 V.

Entrée Type	Impédance	Précision
11	0 - 60 mV	0,2 % + 1 digit @ 25°C
12	12 - 60 mV	
13	0 - 20 mA	
14	4 - 20 mA	
15	0 - 5 V	
16	1 - 5 V	
17	0 - 10 V	
18	2 - 10 V	
	> 1 MΩ	
	< 5 Ω	
	> 200 kΩ	
	> 400 kΩ	

D) ENTREES LOGIQUES

L'instrument est pourvu de 1 entrée logique de contact qui permettent la sélection du point de consigne de fonctionnement.

Contact ouvert = SP

Contact fermé = SP2

NOTES

- 1) Utiliser un contact extérieur approprié pour une capacité de 0,5 mA, 5 V c.c.
- 2) L'instrument contrôle toutes les 100 ms l'état des contacts
- 3) Les entrées logiques **NE SONT PAS** isolées de l'entrée de mesure.



4) Cette fonction agit comme alternative à la mesure du courant consommé par la charge.

E) ENTREE A PARTIR DE TRANSFORMATEUR AMPEREMETRIQUE

Le LFS équipé avec cette fonction peut, via le transformateur ampèremétrique, signaler par une alarme des anomalies éventuelles sur la charge pilotée par la sortie 1 (voir "Alarme d'anomalie à la sortie 1").

Catégorie de mesure : CAT III

Echelle d'entrée: 50 mA

Visualisation: programmable de 10 A échelle maxi. à 100 A échelle maxi. avec pas de 1A.

Résolution:

- pour la capacité 10 A : 0,1 A.
- pour les autres capacités : 1 A.

Durée mini. de la période (ON ou OFF)

d'exécution de la mesure: 400 ms.

NOTE:

- cette fonction exclut l'entrée logique.
- le transformateur de courant doit être conformément à la règle EN 60950 relativement aux distances.

POINT DE CONSIGNE

Cet instrument permet de programmer 2 points de consigne locaux: SPet SP2.

On peut sélectionner le point de consigne de fonctionnement uniquement au moyen des entrées logiques.

Passage d'un point de consigne à l'autre:

Le passage d'un point de consigne à l'autre (ou à une autre valeur de même point de consigne), peut être effectué par degrés ou avec une rampe.

Deux types de rampe sont prévus (pour les valeurs croissantes ou décroissantes) avec des vitesses différentes de variation programmables.

Vitesse de variation: 1 - 100 unités techn./min.

Limiteurs du point de consigne: les paramètres RLO et RHI.

ACTIONS DE CONTRÔLE

Action de contrôle: PID + SMART

Type: un (chauffage ou refroidissement) ou deux (chauffage et refroidissement) agents de régulation.

Bande proportionnelle (Pb):

Echelle: de 1,0 à 100,0% de l'échelle d'entrée pour les procédés avec une sortie de régulation.
- de 1,5 à 100,0% de l'échelle d'entrée pour les procédés avec deux sorties de régulation

Si Pb=0, l'action de contrôle devient ON/OFF

Hystérésis (pour action ON/OFF): de 0,1% à 10,0% de l'étendue de l'échelle d'entrée.

Temps intégral (Ti): de 1s à 20 min. ou exclu

Temps dérivé (Td): de 0 s à 10 min.

Précharge de l'intégrale:

- de 0 à 100% pour une sortie de régulation
- de -100 à 100% pour deux sorties de régulation

SMART: autorisation/invalidation au clavier.

Mode Auto/Manuel: peut être sélectionné au clavier.

Transfert Auto/Manuel: type sans secousse.

Indicateur "MAN": éteint en état auto, allumé en état manuel.

SORTIES DE REGULATION

Temps de mise à jour :

- 250 ms pour entrées linéaires
- 500 ms pour entrées de TC ou RTD.

Action: directe ou inverse programmable

Indication du niveau de sortie:

L'instrument visualise séparément les valeurs concernant la sortie 1 et la sortie 2





Indicateurs de l'état des sorties: 3 led (OUT 1, 2 et 3) s'allument quand la sortie correspondante est en état ON.

Limiteur de la puissance de sortie:

- pour un agent de régulation : de 0.0 à 100.0 % .
- pour deux agents de régulation: de -100.0 à +100.0%

Cette fonction peut être validée à la mise en service de l'instrument (pour éviter des chocs thermiques ou de préchauffer l'installation).

Temps de cycle:

- pour la sortie 1- programmable de 1 à 200 sec.
- pour la sortie 2- programmable de 1 à 200 sec.

Gain relatif de refroidissement:
programmable de 0.20 à 1.00.

Superposition/bande morte: programmable de -20 % à + 50 % de la bande proportionnelle.

SORTIE 1

Type: relais avec contact SPDT (NO ou NC programmable par contact)

Capacité du contact: de 3 A à 250 V AC sur charge résistive.

Fonction: sortie de régulation (chauf. ou refroid.)

Temps de cycle : programmable de 1 s à 200 s.

SORTIE 2

Tipo: Type: relais avec contact SPDT

Capacité du contact: de 2 A à 250 V AC sur charge résistive.

Fonction: programmable comme suit:

- sortie de régulation (refroid.)
- sortie alarme 1.

Temps de cycle (si utilisée comme sortie de régulation); programmable de 1 s à 200 s.

SORTIE 3

Type: relais avec contact SPST.

Capacité du contact: 2 A à 250 V AC sur charge résistive.

Fonction: sortie alarme 2.

ALARMES

Action: directe ou inverse.

Fonction des alarmes: toutes les alarmes peuvent être programmées comme alarmes de procédé, de bande ou de déviation.

Acquit des alarmes: automatique ou manuel, programmable pour chaque alarme.

Masquage des alarmes: chaque alarme peut être programmée avec ou sans masquage.

Cette fonction permet d'éliminer de fausses indications d'alarme au moment de la mise en service, ou après la modification du point de consigne.

Alarmes de procédé:

Dialogue utilisateur: maximum ou minimum

Seuil: programmable en unités techniques à l'intérieur de l'échelle d'entrée (P4-P3).

Hystérésis: programmable de 0.1 % à 10.0 % de l'étendue de l'échelle d'entrée (P4 - P3).

Alarmes de bande

Dialogue utilisateur: à l'intérieur ou à l'extérieur de la bande.

Seuil: programmable de 0 à 500 unités.

Hystérésis: programmable de 0,1 % à 10,0 % de l'étendue de l'échelle d'entrée (P4 - P3).



Alarmes de déviation

Dialogue utilisateur: en-dessous et au-dessus de la valeur programmée.

Seuil: programmable de - 500 à +500 unités

Hystérésis: programmable de 0.1 % à 10.0 % de l'étendue de l'échelle d'entrée (P4 - P3).

LIAISON NUMERIQUE

Type: RS-485 isolée.

Protocoles: MODBUS, JBUS, ERO polling/selecting.

Vitesse de communication: programmable de 600 à 19200 BAUD.

Format: 7 ou 8 bit programmable.

Parité: pair, impair ou nulle

Bit de stop: un.

Adresses:

- de 1 à 95 pour le protocole ERO.
- de 1 à 255 pour les autres protocoles

Niveaux de sortie: suivant standard EIA.

ENTRETIEN

- 1) COUPER LA TENSION A L'APPAREIL (alimentation, sorties à relais, etc.)
- 2) Enlever l'instrument de son boîtier
- 3) En utilisant un aspirateur ou un jet d'air comprimé à basse pression (maxi. 3 kg/cm²), enlever les dépôts de poussière et de saleté dans les fissures de ventilation et sur les circuits en faisant attention à ne pas endommager les composants.
- 4) Pour nettoyer les parties extérieures en plastique ou en caoutchouc, utiliser exclusivement un chiffon propre et légèrement imbibé de:
 - alcool éthylique (pur ou dénaturé) [C₂H₅OH]
 - alcool isopropylique (pur ou dénaturé) [(CH₃)₂CHOH]
 - eau (H₂O)
- 5) Contrôler qu'aucune borne n'est desserrée
- 6) Avant de rebrancher l'instrument dans son boîtier, vérifier que l'appareil soit parfaitement sec.
- 7) Rebrancher l'appareil et mettre sous tension.



MONTAGE

Eine saubere, auch an der Rückseite gut zugängliche und wenn möglich vibrationsfreie Montagestelle wählen. Die Umgebungstemperatur muß zwischen 0°C und 50°C liegen.

Das Gerät kann in eine bis zu 15 mm dicke Fronttafel montiert werden, in die ein viereckiger Ausschnitt mit den Maßen 45 x 45 mm eingebracht wurde.

Abmessungen und Frontfelausschnitt siehe Abb.2.

Die Oberflächenrauheit der Tafel muß besser als 6,3 µm sein.

Das Gerät ist mit einer Gummidichtung für Fronttafeln ausgerüstet (von 50 bis 60 Sh).

Zur Gewährleistung der Schutzarten IP65 und NEMA 4, die mit dem Gerät gelieferte Dichtung zwischen das Gerät und die Tafel einfügen (siehe Abbildung 1).

Zur Befestigung des Gerätes in der Tafel wie folgt vorgehen:

- 1) Die Dichtung an dem Gehäuse des Gerätes anbringen.
- 2) Das Gerät in den Ausschnitt einsetzen.
- 3) Das Gerät gut an der Tafel anliegend festhalten und die Befestigungsstrebe einfügen.
- 4) Mit einem Schraubenzieher die Schrauben mit einem Anziehmoment zwischen 0,3 und 0,4 Nm festziehen.

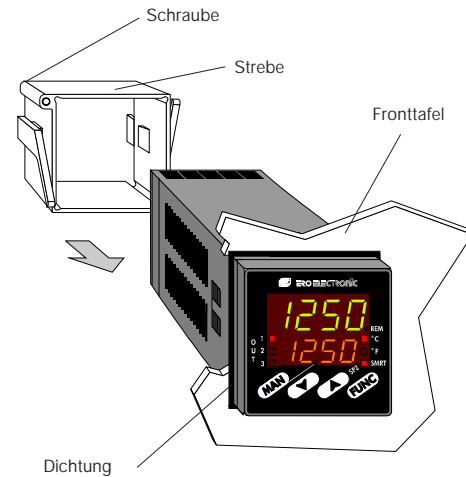


Abb. 1

D 1



ABMESSUNGEN UND FRONTTAFELAUSSCHNITT

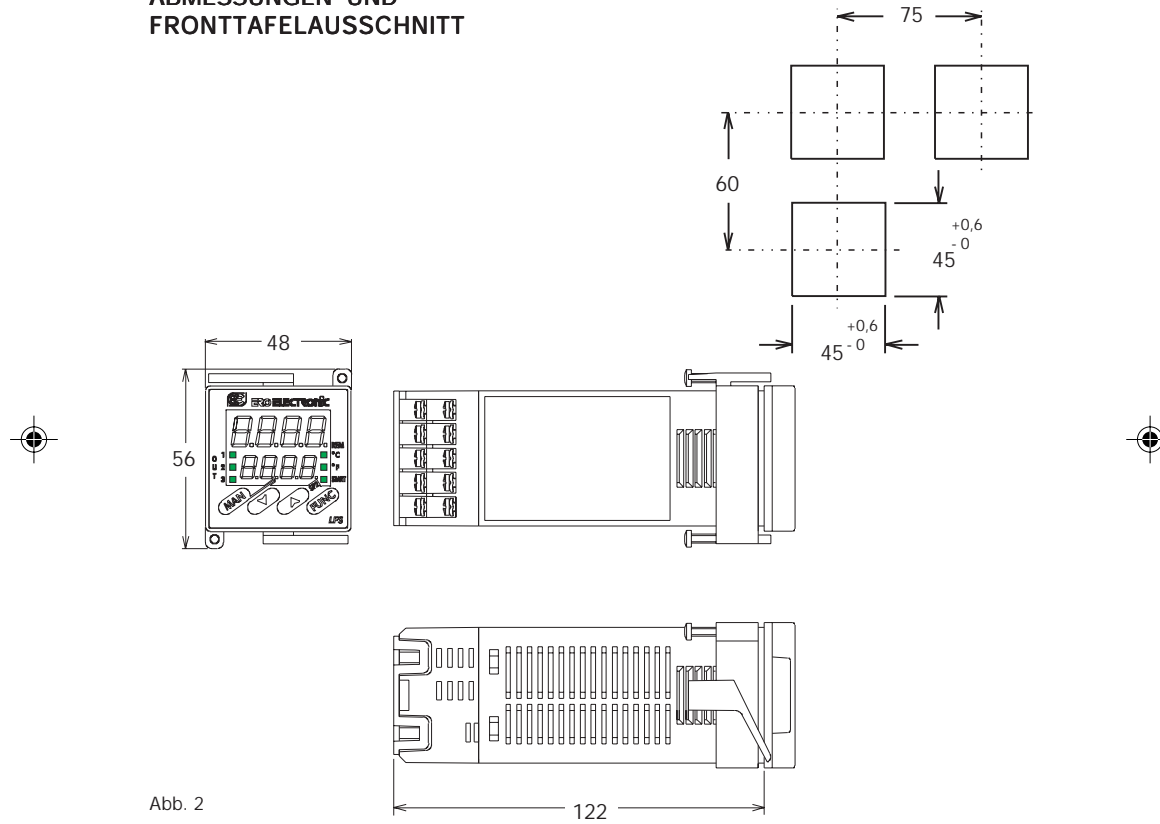


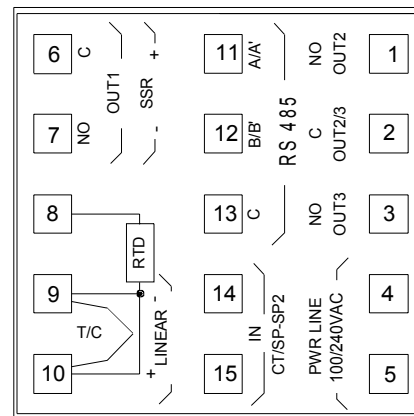
Abb. 2

D 2



ELEKTRISCHE ANSCHLÜSSE

Die Anschlüsse dürfen erst vorgenommen werden, nachdem das Gehäuse des Gerätes vorschriftsmäßig auf der Tafel montiert wurde.



A) MESSEINGÄNGE

ANMERKUNG: Externe Komponenten (z.Bsp.: Zener-Barrieren) zwischen dem Fühler und den Eingangsklemmen des Gerätes können Meßfehler bewirken, die durch einen zu hohen oder nicht ausbalancierten Widerstand oder durch Leckströme verursacht werden.

EINGANG FÜR THERMOELEMENT

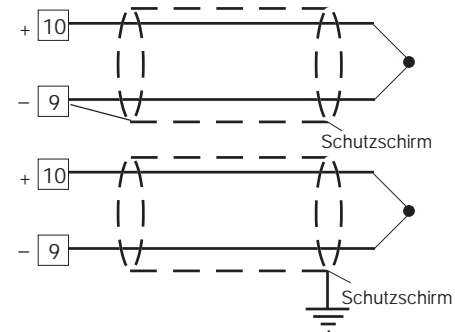


Abb.4 ANSCHLUSS VON THERMOELEMENTEN

ANMERKUNGEN:

- 1) Die Signalkabel nicht parallel oder in der Nähe von Leistungskabeln oder Störquellen verlegen.
- 2) Für den Anschluß des Thermoelements eine geeignete, vorzugsweise abgeschirmtes Kompensationskabel verwenden.
- 3) Bei Verwendung eines Abschirmkabels, den Schutzschirm nur an einem Ende erden.

Abb.3- RÜCKSEITIGER ANSCHLUSSBLOCK

D 3





EINGANG FÜR WIDERSTANDSTHERMOMETER

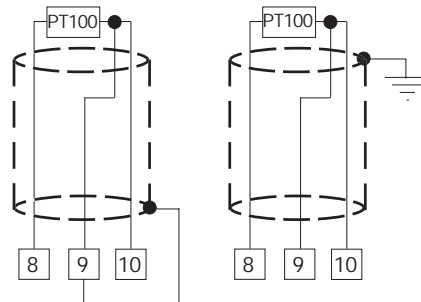


Abb.5 ANSCHLUSS VON WIDERSTANDSTHERMOMETERN

ANMERKUNGEN:

- 1) Die Signalkabel nicht parallel oder in der Nähe von Leistungskabeln oder Störquellen verlegen.
- 2) Auf den Leitungswiderstand achten. Ein übermäßig hoher Leitungswiderstand (über $20 \Omega/\text{Leiter}$) kann Meßfehler bewirken.
- 3) Bei Verwendung eines Abschirmkabels, den Schutzschirm nur an einem Ende erden.
- 4) Die drei Leiter müssen den gleichen Widerstand haben.

LINEAREINGANG

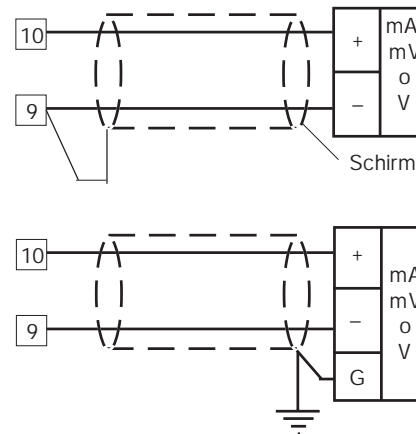


Abb.6 ANSCHLUSS FÜR mA, mV oder V-Eingänge

ANMERKUNGEN:

- 1) Die Signalkabel nicht parallel oder in der Nähe von Leistungskabeln oder Störquellen verlegen.
- 2) Auf den Leitungswiderstand achten. Ein übermäßig hoher Leitungswiderstand kann Meßfehler bewirken.
- 3) Bei Verwendung eines Abschirmkabels, den Schutzschirm nur an einem Ende erden.
- 4) Der Eingangswiderstand ist:
 - < 5Ω für 20 mA-Eingang
 - > $1M\Omega$ für 60 mV-Eingang
 - > $200 k\Omega$ für 5 V-Eingang
 - > $400 k\Omega$ für 10 V-Eingang



B.1) LOGIKEINGÄNGE

Das Gerät kann den Eingang "IN CT/SP-SP2" (Klemmen 14 und 15) als Stromwandler-Eingang oder als Logikeingang verwenden.

ANMERKUNGEN:

- 1) Die Signalkabel nicht parallel oder in der Nähe von Leistungskabeln oder Störquellen verlegen.
- 2) Einen für eine Leistung von 0,5 mA, 5 V DC geeigneten externen Kontakt verwenden.
- 3) Das Gerät überprüft alle 100 ms den Status der Kontakte.
- 4) Die Logikeingänge sind **NICHT** vom Meßeingang isoliert.
- 5) Diese Option schließt die Messung des Stroms aus, der von der im Heizleiter angeschlossenen Ringkernspule verbraucht wird.

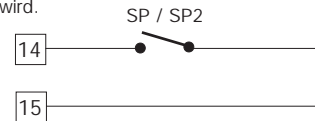


Abb.7 ANSCHLUSS DES LOGIKEINGANGS

Das Gerät kann den Eingang "IN CT/SP-SP2" (Klemmen 14 und 15) als Stromwandler-Eingang oder als Logikeingang verwenden.

Bei Verwendung als Logikeingang, kann der Betriebssollwert gewählt werden.

Logikeingang	Betriebssollwert
offen	SP
geschlossen	SP2

B.2) EINGANG VON STROMWANDLER

Das Gerät kann den Eingang "IN CT/SP-SP2" (Klemmen 14 und 15) als Stromwandler-Eingang oder als Logikeingang verwenden.

ANMERKUNGEN:

- 1) Der Eingangswiderstand ist 10Ω.
- 2) Der Eingangsspitzenstrom ist 50 mA (50/60 Hz).
- 3) Das Gerät führt diese Messung nicht durch, wenn die ON-Periode kürzer als 400 ms ist.

Sicherheitshinweis:

- Die Signalkabel des Stromwandlers nicht parallel oder in der Nähe von Leistungskabeln oder Störquellen verlegen.

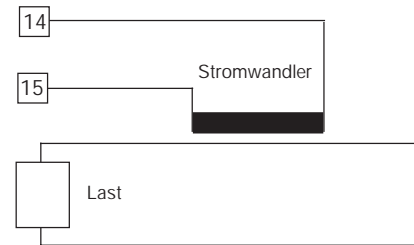


Abb.8 ANSCHLUSS DES STROMWANDLERS

Dieser Eingang ermöglicht die Messung und Anzeige des Stroms, der während der ON- und OFF-Perioden in der im Heizleiter angeschlossenen Ringkernspule zirkuliert. Diese Eigenschaft wird in der Funktion "Alarm Störung an Ausgang 1" verwendet (siehe Beschreibung auf S.20).



C) RELAIS-AUSGÄNGE

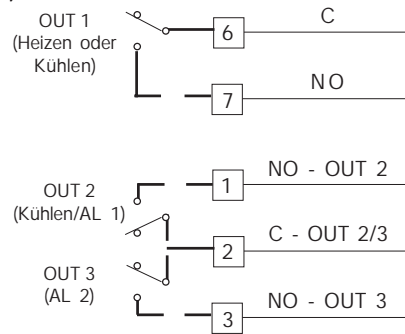


Abb.9 ANSCHLUSS DER RELAIS-AUSGÄNGE

Die Belastbarkeit des dem Ausgang 1 entsprechenden Kontakts ist 3A/250 V AC bei ohmscher Belastung.

Die Belastbarkeit der den Ausgängen 2 und 3 entsprechenden Kontakte ist gleich 2A/250V AC bei ohmscher Belastung.

Die Anzahl der Operationen entspricht der spezifizierten Belastbarkeit mal 10^5 .

ANMERKUNGEN:

- 1) Um der Gefahr elektrischer Schläge vorzubeugen, das Netzkabel erst anschließen, nachdem alle anderen Anschlüsse vorgenommen wurden.
- 2) Für den Netzanschluß, Kabel Nr.16 AWG oder mit größerem Querschnitt verwenden, die für Temperaturen bis mindestens 75°C geeignet sind.
- 3) Nur Kupferleiter verwenden.
- 4) Die Signalkabel nicht parallel oder in der Nähe von Leistungskabeln oder Störquellen verlegen.
- 5) Der Relais- und der SSR-Ausgang können beide verwendet werden. Bei Verwendung des Relais-Ausgangs, muß der SSR-Ausgang deaktiviert werden (siehe Kapitel "Hardwareeinstellungen").

Alle Relaisausgänge sind durch Varistoren gegen Belastungen mit induktiver Komponente bis zu 0,5 A geschützt.

Die folgenden Empfehlungen dienen zur Vermeidung schwerwiegender Probleme durch die Verwendung der Relaisausgänge für die Vorsteuerung induktiver Belastungen.

INDUKTIVE BELASTUNGEN

Die Umschaltung induktiver Belastungen kann Einschwingzustände und Störungen hervorrufen, die die Leistungen des Geräts beeinträchtigen können. Die inneren Schutzvorrichtungen (Varistoren) gewährleisten den Schutz gegen Störungen für Lasten mit einer induktiven Komponente bis zu 0,5 A. Analoge Probleme können durch die Umschaltung von Belastungen mittels eines externen, zum Ausgang des Geräts in Reihe geschalteten Kontakts, entstehen.

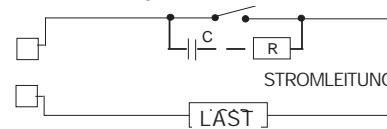


Abb.10 EXTERNER, ZUM AUSGANG DES GERÄTS IN REIHE GESCHALTETER KONTAKT

In diesen Fällen wird empfohlen, parallel zum externen Kontakt einen RC-Filter anzuschließen wie in Abb.10 gezeigt.

Der Wert der Kapazität (C) und des Widerstands (R) sind in der folgenden Tabelle angegeben.

Ind. Last (mA)	C (µF)	R (Ω)	P. (W)	BETRIEBS-SPANNUNG
<40 mA	0.047	100	1/2	260 V AC
<150 mA	0.1	22	2	260 V AC
<0.5 A	0.33	47	2	260 V AC



In allen Fällen müssen die an die Relaisausgänge angeschlossenen Kabel soweit wie möglich von den Signalkabeln entfernt gehalten werden.

LOGIKAUSGANG FÜR DIE SSR-STEUERUNG

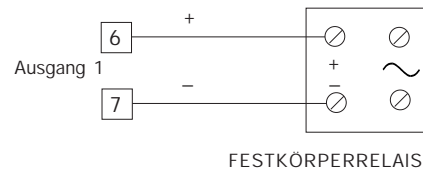


Abb. 11 ANSCHLUSS FÜR DIE VORSTEUERUNG VON FESTKÖRPERRELAIS

Dieser Ausgang ist zeitproportional.

Logikstatus 0: $V_{out} < 0,5 \text{ V DC}$

Logikstatus 1: Stromspitze = 20 mA.

- 14 V \pm 20% @ 20 mA

- 24 V \pm 20% @ 1 mA.

ANMERKUNGEN: Dieser Ausgang ist NICHT isoliert. Eine verstärkte galvanische oder optoisolierte Trennung zwischen der Lastversorgung und dem Ausgang muß durch gemäß den CE Richtlinien, z.B. durch ein Halbleiterrelais mit verstärktem isoliertem Eingang sichergestellt werden.

SERIELLE SCHNITTSTELLE

Die Schnittstelle Typ RS-485 ermöglicht den Anschluß von maximal 30 Einheiten an einen einzigen übergeordneten Computer.

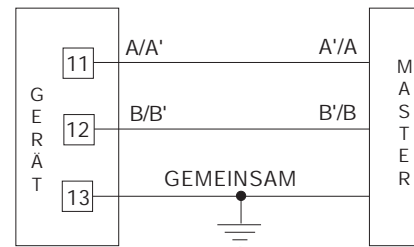


Abb.12 -ANSCHLUSS DER SCHNITTSTELLE RS-485

Die Anschlußkabel dürfen nicht länger als 1500 Meter sein und müssen eine Bauderate von 9600 Baud aufweisen:

ANMERKUNGEN:

- 1) Die Schnittstelle Typ RS-485 ist isoliert.
- 2) Der folgende Abschnitt gibt die in den EIA-Normen enthaltene Definition für RS-422 und RS-485-Schnittstellen in Hinblick auf die Bedeutung und die Richtung der Spannung an den Klemmen wieder.
 - a) Die Klemme "A" des Generators muß gegenüber der Klemme "B" für Binärstatus 1 (MARK oder OFF) negativ sein.
 - b) Die Klemme "A" des Generators muß gegenüber der Klemme "B" für Binärstatus 0 (SPACE oder ON) positiv sein.



D) VERSORGUNG

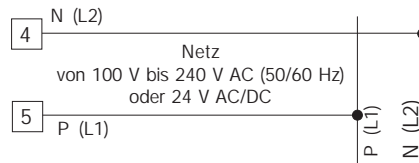


Abb.13 ANSCHLUSS AN DAS STROMNETZ

ANMERKUNGEN:

- 1) Vor dem Anschluß des Gerätes an das Stromnetz, überprüfen, ob die Leitungsspannung mit der auf dem Typenschild des Gerätes angegebenen Spannung übereinstimmt.
- 2) Zur Vermeidung elektrischer Schläge, die Versorgung erst anschließen, nachdem alle anderen Anschlüsse vorgenommen wurden.
- 3) Für den Netzanschluß Kabel Nr.16 AWG oder mit größerem Querschnitt verwenden, die für eine Temperatur von mindestens 75°C geeignet sind.
- 4) Nur Kupferleiter verwenden.
- 5) Die Signalkabel nicht parallel oder in der Nähe von Leistungskabeln oder Störquellen verlegen.
- 6) Bei 24 V DC-Versorgung spielt die Polung keine Rolle.
- 7) Der Versorgungseingang ist **NICHT** durch eine Sicherung geschützt; es muß daher eine externe Sicherung mit folgenden Merkmalen vorgesehen werden:

Versorgung	Typ	Strom	Spannung
24 V AC/DC	T	500 mA	250 V
100/240 V AC	T	125 mA	250 V

Im Fall einer Beschädigung der Sicherung wird empfohlen, den gesamten Versorgungskreis überprüfen zu lassen. Zu diesem Zweck sollte das Gerät an den Lieferanten gesandt werden.

- 8) Gemäß den Sicherheitsvorschriften für ständig an das Stromnetz angeschlossene Geräte sind folgende Einrichtungen zu installieren:

- Ein Schalter oder Auftrenner in der elektrischen Anlage des Gebäudes;
- Der Auftrenner muß in unmittelbarer Nähe des Gerätes an einer für das Bedienungspersonal leicht zugänglichen Stelle installiert werden.
- Der Schalter muß als Trennvorrichtung des Gerätes gekennzeichnet werden.

ANMERKUNG: Ein Schalter oder Auftrenner kann mehrere Geräte steuern.

- 9) Den eventuell für die Netzversorgung vorgesehenen Nulleiter an den Endverschluß 4 anschließen.



HARDWAREEINSTELLUNGEN

- 1) Das Gerät aus dem Gehäuse ziehen.
- 2) Die Art des gewünschten Eingangs wählen.
Dazu den Kodierstecker J106 wie in der folgenden Tabelle angeben einsetzen.

Eingang	J106				
	1-2	3-4	5-6	7-8	9-10
TC-RTD	offen	geschl.	offen	offen	offen
60 mV	offen	geschl.	offen	offen	offen
5 V	geschl.	offen	geschl.	offen	offen
10 V	offen	offen	geschl.	offen	offen
20 mA	offen	offen	offen	geschl.	geschl.

* TE = Thermoelement WT = Widerstandsthermometer

ANMERKUNG: Der nicht verwendete Kodierstecker kann auf die Anschlußstifte 7-9 gesetzt werden.

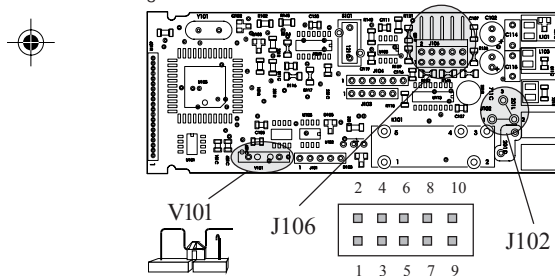


Abb.14

- 3) Den Kodierstecker J 102 wie in der folgenden Tabelle angegeben einsetzen, um die für den AUSGANG 1 gewünschte Kontaktlage zu wählen.

Kontaktlage	NO (standard)	NC
J102	1 - 2	2 - 3

D 9

FÜHLERBRUCHERKENNUNG

Diese Geräte sind in der Lage, einen offenen Meßkreis zu erfassen.

Bei PT 100 - Eingangskonfiguration wird die Öffnung des Eingangskreises als Overrange-Bedingung (Bereichsüberschreitung) angezeigt. Bei Thermoelement-Eingangskonfiguration kann die Art der Anzeige hingegen gewählt werden, indem die Stellung der Lotstützpunkte CH101 und SH101 wie unten angegeben geändert wird.

Overrange (standard)	CH101 = geschl.	SH101 = offen
Underrange	CH101 = offen	SH101 = geschl.

Beide Plätze befinden sich auf der Lötseite der CPU-Karte.

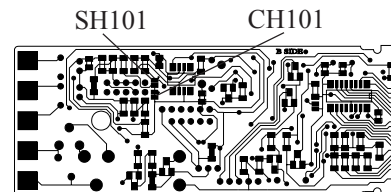


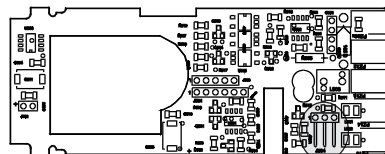
Abb. 15



WAHL DER FUNKTION DES EINGANGS "IN CT/SP-SP2"

Dieses Gerät kann den Eingang "IN CT/SP-SP2" (Klemmen 14 und 15) als Eingang eines Stromwandlers oder als logischen Eingang verwenden. Der Stromwandler-Ausgang ermöglicht die Messung und Anzeige des Stroms, der während der ON- und OFF-Perioden in der im Heizleiter angeschlossenen Ringkernspule zirkuliert.

Diese Eigenschaft wird in der Funktion "Alarm Störung an Ausgang 1" verwendet (siehe Beschreibung auf S.20), während der logische Eingang für die Wahl des aktiven Arbeitssollwertes (Sollwert 1 / Sollwert 2 - Umschaltung) benutzt wird.



Eingang von
Stromwandler



Logischer
Eingang

Abb. 16

FUNKTION DER FRONTTASTEN WÄHREND DES KONFIGURATIONSVERFAHRENS:

- FUNC = Speichern eingestellter Werte und Anwahl des nächsten Parameters
- MAN = Rückwärtstasten der Parameter, jedoch keine Speicherung
- ▲ = Vergrößern des Wertes des angewählten Parameters.
- ▼ = Verkleinern des Wertes des angewählten Parameters.

KONFIGURATION (GRUNDEINSTELLUNG)

- 1) Schraube in der Front lösen und Gerät nach vorne ziehen.
- 2) Internen Hakenschalter V101 öffnen (Abb. 14)
- 3) Gerät ins Gehäuse stecken.
- 4) Das Gerät einschalten.

Auf der Anzeige erscheint CO nF.

ANMERKUNG: Falls auf der Anzeige "CAL" erscheint, sofort die Taste ▲ drücken und zum Konfigurationsverfahren zurückkehren.

- 5) Die Taste FUNC drücken.

SEr1 = Serielles Kommunikationsprotokoll

- OFF = Keine Schnittstelle aktiviert
- Ero = Polling/Selecting ERO
- nbUS = Modbus
- jbUS = Jbus

SEr2 = Adresse für die serielle Kommunikation

Nicht verfügbar wenn SEr1 = OFF
Bereich: von 1 bis 99 für das ERO-Protokoll
von 1 bis 255 für alle anderen Protokolle.

ANMERKUNG: Die serielle Schnittstelle Typ RS 485 ermöglicht den Anschluß von max. 31 Geräte an derselben Leitung.



SEr3 = Geschwindigkeit der Datenübertragung

Nicht verfügbar wenn SEr1 = OFF

Bereich: von 600 bis 19200 Bd

ANMERKUNG: die 19200 Bd werden mit 19.2. dargestellt.

SEr4 = Format der seriellen Kommunikation

Nicht verfügbar wenn SEr1 = OFF

7E = 7 Bit + gerades Paritätsbit (nur ERO-Protokoll)

7O = 7 Bit + ungerades Paritätsbit (nur ERO-Protokoll)

8E = 8 Bit + gerades Paritätsbit

8O = 8 Bit + ungerades Paritätsbit

8 = 8 Bit ohne Parität

P 1 = Art des Eingangs und Meßbereich

0 = TE Art L Bereich 0 / +400.0 °C

1 = TC Art L Bereich 0 / +900 °C

2 = TC Art J Bereich -100.0 / +400.0 °C

3 = TC Art J Bereich -100 / +1000 °C

4 = TC Art K Bereich -100.0 / +400.0 °C

5 = TC Art K Bereich -100 / +1370 °C

6 = TC Art N Bereich -100 / +1400 °C

7 = TC Art R Bereich 0 / +1760 °C

8 = TC Art S Bereich 0 / +1760 °C

9 = RTD ArtPt 100 Bereich -199.9 / +400.0 °C

10 = RTD ArtPt 100 Bereich -200 / +800 °C

11 = mV Linear Bereich 0 / 60 mV

12 = mV Linear Bereich 12 / 60 mV

13 = mA Linear Bereich 0 / 20 mA

14 = mA Linear Bereich 4 / 20 mA

15 = V Linear Bereich 0 / 5 V

16 = V Linear Bereich 1 / 5 V

17 = V Linear Bereich 0 / 10 V

18 = V Linear Bereich 2 / 10 V

19 = TC Art L Bereich 0 / +1650 °F

20 = TC Art J Bereich -150 / +1830 °F

21 = TC Art K Bereich -150 / +2500 °F

22 = TC Art N Bereich -150 / +2550 °F

23 = TC Art R Bereich 0 / +3200 °F

24 = TC Art S Bereich 0 / +3200 °F

25 = RTD ArtPt 100 Bereich -199.9 / +400.0 °F

26 = RTD ArtPt 100 Bereich -330 / +1470 °F

27 = TC Art T Bereich -199.9 / +400.0 °C

28 = TC Art T Bereich -330 / +750 °F

ANMERKUNG: Wird P1 = 0,2,4,9, 25 oder 27 eingegeben, stellt das Gerät automatisch P36 = Filtr. ein. Für alle anderen Bereiche P36 = nOFL.

P2 = Stellung des Dezimalpunkts

Dieser Parameter ist nur für die linearen Eingänge (P = 11, 12, 13, 14, 15, 16, 17 oder 18) verfügbar:

----. = Keine Dezimalziffer.

---.- = Eine Dezimalziffer.

--.--- = Zwei Dezimalziffern.

-.--- = Drei Dezimalziffern.

P3 = Anfangswert

Für die linearen Eingänge kann P3 von -1999 bis 4000 programmiert werden.

Für die Eingänge von TC und RTD kann P3 innerhalb des Eingangsbereichs programmiert werden.

Im Fall einer Änderung des Parameters P3, ordnet das Gerät den neuen Wert P3 automatisch dem Parameter rL zu.

P4 = Endwert

Für die linearen Eingänge kann P4 von -1999 bis 4000 programmiert werden.

Für die Eingänge von TC und RTD kann P4 innerhalb des Eingangsbereichs, unter Einhaltung der unten angeführten Grenzen, programmiert werden.

Im Fall einer Änderung des Parameters P4, ordnet das Gerät den neuen Wert P4 automatisch dem Parameter rH zu.

Die Anfangs- und Endwerte werden vom Algorithmus PID, von der SMART - Funktion und von den



Alarmfunktionen benutzt, um die Breite des Arbeitsbereichs zu berechnen.

ANMERKUNG: Der absolute Wert der min.Breite des Arbeitsbereichs (S= P4-P3) muß den im folgenden angeführten Werten entsprechen:

Für lineare Eingänge: S > 100 Einheiten.

Für Eingänge von TC mit °C-Angabe : S > 300°C.

Für Eingänge von TC mit °F-Angabe : S > 550°F.

Für Eingänge von RTD mit °C-Angabe: S > 100°C.

Für Eingänge von RTD mit °F-Angabe: S > 200°F.

P5 = Art des Ausgangs 1

rEL = Relais (die Zykluszeit (Cy1) wird auf 15 Sek. modifiziert)

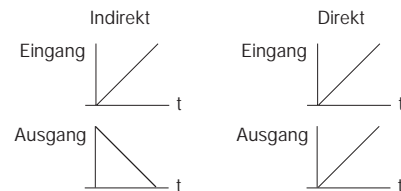
SSr = SSR (die Zykluszeit (Cy1) wird auf 4 Sek. modifiziert).

P6 = Regelverhalten des Ausgangs 1.

Dieser Parameter wird übergangen wenn P7 = 4.

rEV = Umgekehrte Aktion (Heizung)

dir = Direkte Aktion (Kühlung)



P7 = Funktion des Ausgangs 2.

0 = Ausgang nicht verwendet.

1 = Absolutalarm.

2 = Bandalarm.

3 = Abweichungsalarm.

4 = Zweiter Regelausgang (Kühlen).

ANMERKUNG: Wenn P7 = 4, wird P6 in den Zustand "rEV" modifiziert.

P8 = Kühlmedium

Nur verfügbar wenn P7 = 4.

Air = Luft

OIL = Öl

H2O = Wasser

Durch die Änderung des Wertes P8 werden die Zykluszeit und die relative Kühlverstärkung auf den entsprechenden vordefinierten Wert modifiziert, das heißt:

Wenn P8 = Air - Cy2 = 10 Sek. und rC = 1.00

P8 = OIL - Cy2 = 4 Sek. und rC = 0.80

P8 = H2O - Cy2 = 2 Sek. und rC = 0.40

P9 = Alarm 1 Wirkungsweise

Nur verfügbar wenn P7 gleich 1,2, oder 3 ist.

H.A. = Maximum (außerhalb des Bandes) mit automatischer Rücksetzung.

L.A. = Minimum (innerhalb des Bandes) mit automatischer Rücksetzung.

H.L. = Maximum (außerhalb des Bandes) mit manueller Rücksetzung.

L.L. = Minimum (innerhalb des Bandes) mit manueller Rücksetzung.

P10 = Strommessung für Alarm Störung an Ausgang 1 (siehe "Arbeitsweise des Anzeigers" und "Alarm für Störung an Ausgang 1")

OFF = Strommessung deaktiviert.

SP2 = Digitaleingang für die Wahl SP oder SP2.

n.O. = Strommessung, wenn die Last während der ON-Periode des Hauptausgangs unter Spannung steht (logische Bedingung 1 für SSR-Ausgang oder angezogenes Relais).



n.C.= Strommessung, wenn die Last während der OFF-Periode des Hauptausgangs unter Spannung steht (logische Bedingung 0 für SSR-Ausgang oder abgefallenes Relais).

P11 = Bereich der Strommessung / des Stromwandlers

Dieser Parameter ist nur verfügbar, wenn P10 nicht OFF oder SP2 ist und kann von 10 bis 100A programmiert werden.

P12 = Funktion des Ausgangs 3

- 0 = Alarm 2 nicht verwendet.
- 1 = Absolutalarm.
- 2 = Bandalarm.
- 3 = Abweichungsalarm.

ANMERKUNGEN: Der Alarm Störung an Ausgang 1 und der Alarm 2 verwenden beide den Ausgang 3 (OR-Bedingung).

P13 = Wirkweise Alarm 2 und Art des Rücksetzens für Störungs-Alarm Ausgang 1

Verfügbar, wenn P12 nicht Null, oder P10 ist gleich nO oder nC..

- H.A. = Maximum (außerhalb des Bandes) mit automatischer Rücksetzung.
- L.A. = Minimum (innerhalb des Bandes) mit automatischer Rücksetzung.
- H.L. = Maximum (außerhalb des Bandes) mit manueller Rücksetzung.
- L.L. = Minimum (innerhalb des Bandes) mit manueller Rücksetzung.

ANMERKUNG: Der Alarm Störung an Ausgang 1 (siehe S.20) wird gemäß der mit diesem Parameter eingestellten Art (manuell oder automatisch) rückgesetzt.

P14 = Programmierbarkeit der Schaltschwelle und der Hysterese des Alarms 2

Nur verfügbar wenn P12 nicht 0 ist.

OPrt = Schaltschwelle und Hysterese des Alarms 2 können während des Betriebsmodus geändert werden.

COnf = Schaltschwelle und Hysterese des Alarms 2 können während des Konfigurationsmodus geändert werden.

P15 = Schaltschwelle des Alarms 2

Nur verfügbar, wenn P12 nicht 0 ist und P14 = "COnf".

Bereich: Für Absolutalarm - innerhalb des Eingangsbereichs
Für Bandalarm - von 0 bis 500 Einheiten.
Für Abweichungsalarm - von -500 bis 500 Einheiten.

P16 = Hysterese des Alarms 2

Nur verfügbar, wenn P12 nicht 0 ist und P14 = "COnf".

Bereich: von 0.1% bis 10.0% der Breite des Arbeitsbereichs (P4-P3).

P17 = Schaltschwelle der Funktion SOFT START

Schaltschwelle, in technischen Einheiten, für die Aktivierung der Funktion SOFT START (Ausgangsleistungsbegrenzung) bei der Einschaltung.

Bereich: Innerhalb des Anzeigebereichs.

ANMERKUNG: Diese Schaltschwelle hat keine Bedeutung, wenn der Parameter tOL = Inf.



P18 = Tastaturverriegelung

0 = Keine Sicherung der Parameter. Das Gerät befindet sich immer in ungeschütztem Zustand und alle Parameter können geändert werden.

1 = Das Gerät befindet sich immer in geschütztem Zustand und kein Parameter (ausgenommen der Sollwert [SP/SP2] und das manuelle Rücksetzen der Alarmer) kann geändert werden (für die SMART-Funktion siehe P27).

Von 2 bis 4999 = Dieser Sicherheitscode wird während des Betriebs verwendet, um die Verriegelung der Regelparameter zu aktivieren oder zu deaktivieren. In bezug auf den Sollwert (SP/SP2) und das manuelle Rücksetzen der Alarmer, hat die Verriegelung der Parameter keinerlei Wirkung (für die SMART-Funktion siehe P27).

Von 5000 bis 9999 = Dieser Sicherheitscode wird während des Betriebs verwendet, um die Verriegelung der Regelparameter zu aktivieren oder zu deaktivieren. In bezug auf den Sollwert (SP/SP2), das manuelle Rücksetzen der Alarmer AL1, AL2, Hbd und SCA, hat die Verriegelung der Parameter keinerlei Wirkung (für die SMART-Funktion siehe P27).

ANMERKUNGEN: Während der Konfiguration von P18 wird 0, 1, SFT.A angezeigt (für einen Sicherheitscode zwischen 2 und 4999) oder SFT.b (für einen Sicherheitscode zwischen 5000 und 9999).

Die Konfigurationsprozedur ist abgeschlossen und das Gerät zeigt auf beiden Displays "-.-.-.-.-" an. Für den Zugriff auf die weiteren Konfigurationsparameter:

- 1) Mit den Tasten ▲ und ▼ den Code 234 einstellen.
- 2) Die Taste FUNC drücken.

P19 = Alarm 1 Relais Wirkrichtung

Nur verfügbar, wenn P7 nicht 0 oder 4 ist.

dir = Direkte Aktion (Relais bei Alarm angezogen)

rEV = Indirekte Aktion (Relais bei Alarm abgefallen).

P20 = Stand-by Funktion Alarm 1 (Alarmunterdrückung)

Nur verfügbar, wenn P7 nicht 0 oder 4 ist.

OFF = Alarmunterdrückung ausgeschaltet.

On = Alarmunterdrückung eingeschaltet.

ANMERKUNG: Für die Band- oder Abweichungsalarmer, unterdrückt diese Funktion die Alarmbedingungen nach einer Änderung des Sollwertes oder bei der Einschaltung solange, bis die Prozeßvariable den Schwellenwert erreicht hat. Für die Absolutalarmer unterdrückt diese Funktion die Alarmbedingungen nur bei der Einschaltung solange, bis die Prozeßvariable den Schwellenwert erreicht hat.

P21 = Regelverhalten des Ausgangs 2 und des Alarms Störung an Ausgang 1

Verfügbar, wenn P12 ungleich 0 ist oder wenn

P10 = "n.C" oder "n.O".

dir = Direkte Aktion

rEV = Indirekte Aktion.

P22 = Stand-by Funktion Alarm 2 (Alarmunterdrückung)

Nur verfügbar, wenn P12 nicht 0 ist.

OFF = Alarmunterdrückung ausgeschaltet.

On = Alarmunterdrückung eingeschaltet.

ANMERKUNG: für weitere Angaben zur Funktion "Stand-by (Alarmunterdrückung)" siehe Parameter P20.



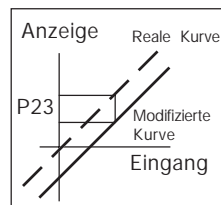


P23 = Meßwertkorrektur (Offset)

Dieser Parameter ermöglicht die Einstellung eines konstanten OFFSET im gesamten Meßbereich.

Für die linearen Eingänge ist P23 nicht verfügbar.

- Für Anzeigebereiche mit Dezimalziffer, kann P23 von -19.9 bis 19.9 programmiert werden.
- Für Anzeigebereiche ohne Dezimalziffer, kann P23 von -199 bis 199 programmiert werden.



P27 = SMART- Funktion

- 0 = Die SMART - Funktion ist deaktiviert.
- 1 = Die SMART - Funktion ist nicht durch den Sicherheitscode geschützt.
- 2 = Die SMART - Funktion ist durch den Sicherheitscode geschützt.

P28 = Von der SMART - Funktion berechnete relative Kühlverstärkung

Dieser Parameter ist nur verfügbar, wenn P7 gleich 4 und P27 ungleich 0 ist.

- OFF = Die SMART - Funktion berechnet den Wert des Parameters rC nicht.
- On = Die SMART - Funktion berechnet auch den Wert des Parameters rC.

P24 = NICHT VERFÜGBAR

P25 = Anzeige der verriegelten Parameter

Dieser Parameter ist NICHT verfügbar, wenn P18 gleich 0 ist.

- OFF = Die verriegelten Parameter werden nicht angezeigt.
- On = Die verriegelten Parameter können angezeigt werden.

P26 = Freigabe Hand / Automatikumschaltung

- OFF = Die MAN - Taste ist gesperrt.
- On = Die MAN - Taste ist freigegeben.

P29 = Max.Wert des Proportionalbandes. Für die SMART - Funktion einstellbar.

Verfügbar, wenn P27 ungleich 0 ist.
Dieser Parameter ist durch P30 oder P31 auf 100.0% programmierbar.

P30 = Min. Wert des Proportionalbandes. Für die SMART - Funktion einstellbar, wenn das Gerät 2 Regelausgänge benutzt.

Dieser Parameter ist nur verfügbar wenn P7 gleich 4 und P27 ungleich 0 ist.
P30 ist von 1.5% bis zum Wert von P29 programmierbar.



P31 = Min.Wert des Proportionalbandes.Für die SMART - Funktion einstellbar, wenn das Gerät nur einen Regelausgang benutzt.

Nur verfügbar, wenn P7 nicht 4 und P27 ungleich 0 ist.
P31 ist von 1.0% bis zum Wert von P29 programmierbar.

P32 = Mindestwert der Integralanteils. Für die SMART - Funktion einstellbar.

Verfügbar, wenn P27 ungleich 0 ist.
P32 ist von 1 Sekunde (00.01) bis 2 Minuten (02.00) einstellbar.

P33 = Gerätestatus beim Einschalten

Dieser Parameter ist nicht verfügbar, wenn P26 = OFF.

- 0 = Gerät startet im Automatikbetrieb.
- 1 = Gerät nimmt den Betriebsstatus wie vor dem Abschalten ein.

P34 = NICHT VERFÜGBAR

P35 = Timeout für Bedienvorgänge

Einstellung der Zeitspanne zum automatischen Rücksetzen zur Soll - und Istwertanzeige, wenn im Bedienmodus Parameter z.B. Sollwert geändert werden.

- tn.10 = 10 Sekunden.
- tn.30 = 30 Sekunden.

P36 = Digitalfilter für den Meßeingang

P36 ermöglicht es, an den gemessenen Wert einen Digitalfilter ersten Grades anzulegen, der eine Zeitkonstante gleich :

- 4 s für Eingänge von TC oder RTD
- 2 s für lineare Eingänge aufweist.
- noFL. = Kein Filter.
- FLtr = Filter freigegeben.

P37 = Sicherheitsstellgröße im Fehlerfall

- 0 = Keine Stellgrößenvorgabe (Standard)
- 1 = Stellgröße (Sicherheitswert P38) wird bei Meßbereichsüber - und unterschreitung eingestellt.
- 2 = Stellgröße (P38) wird bei Meßbereichsüberschreitung eingestellt.
- 3 = Stellgröße (P38) wird bei Meßbereichsunerschreitung eingestellt.

P38 = Wertvorgabe der Sicherheitsstellgröße

P38 wird nur angezeigt wenn P37 ungleich 0 ist.
Der Wert der Stellgröße kann in folgenden Bereichen vorgegeben werden:

- von 0 - 100% wenn P7 ungleich 4
- von -100% bis +100% wenn P7 gleich 4

P39 = Erweiterung des Anti-reset-wind up

Bereich: Von -30 bis +30% des Proportionalbandes.

ANMERKUNG: Ein positiver Wert erhöht die max.Grenze der Funktion (über den Sollwert), während ein negativer Wert die min.Grenze der Funktion (unter den Sollwert) senkt.



P40 = Art der Regelung

Pid= Das Gerät arbeitet mit dem Algorithmus PID.

Pi = Das Gerät arbeitet mit dem Algorithmus PI.

P41 = Anzeige des Sollwerts

Fn.SP = Wenn das Gerät während des Betriebs eine Rampe durchführt, erscheint auf der unteren Anzeige der End Sollwert.

OP.SP = Wenn das Gerät während des Betriebs eine Rampe durchführt, erscheint auf der unteren Anzeige der Betriebssollwert.

P42 = Angleichung des Betriebssollwertes bei der Einschaltung

0 = Der Betriebssollwert wird an den Wert von SP oder Sp2 in Funktion des Status der Logikeingänge 1 angeglichen.

1 = Der Betriebssollwert wird an den Meßwert angeglichen und erreicht anschließend den gewählten Sollwert über eine einstellbare Rampe (siehe die Betriebsparameter Grd1 und Grd2).

ANMERKUNG: Wenn das Gerät eine Bereichsüberschreitung oder -unterschreitung oder einen Fehler des Meßwertes erfaßt, verhält es sich, als ob P42 den Wert 0 hätte.

Die Konfigurationsprozeduren sind abgeschlossen und das Gerät zeigt wieder "CO nF" an.



BETRIEBSMODUS

- 1) Das Gerät aus dem Gehäuse ziehen.
- 2) Den Hackenschalter V101 schließen.
- 3) Das Gerät in das Gehäuse zurückschieben.
- 4) Das Gerät mit Strom versorgen.

FUNKTIONEN DES DISPLAY

Das obere Display zeigt den gemessenen Wert an, während auf dem unteren Display der eingestellte Sollwert erscheint (dieser Zustand wird als "normale Anzeigeart" definiert).

ANMERKUNG:

Erfolgt eine Sollwertvorgabe mittels

Rampenfunktion (Grd1, Grd2) weicht der Sollwert vom Zielsollwert ab und die Sollwertänderung wird kontinuierlich vorgenommen, d.h. der Sollwert ändert bis zum Erreichen des Endwertes laufend seinen Wert in Höhe der vorgegebenen Rampe.

Um die Anzeige auf dem unteren Display zu ändern, wie folgt vorgehen:

- Die Taste FUNC 3 bis 10 s lang drücken. Auf der unteren Anzeige erscheint "A" gefolgt vom Wert des von der im Heizleiter angeschlossenen Ringkernspule verbrauchten Stroms, wenn die Last unter Spannung steht (ON) (siehe Alarmfunktion für Störung an Ausgang 1).
- Erneut die Taste FUNC drücken. Auf der unteren Anzeige erscheint "b" gefolgt vom Wert des Verluststroms in der im Heizleiter angeschlossenen Ringkernspule, wenn die Last nicht unter Spannung steht (OFF) (siehe Alarmfunktion für Störung an Ausgang 1).
- Erneut die Taste FUNC drücken. Auf dem unteren Display erscheint der Buchstabe H, gefolgt vom Wert der Stellgröße des Ausgangs 1 (von 0 bis 100%).
- Wieder die Taste FUNC drücken. Auf dem unteren Display erscheint der Buchstabe "C",

gefolgt vom Wert der Stellgröße des Ausgangs 2 (von 0 bis 100%).

- Durch erneuten Druck auf die Taste FUNC, kehrt das Display zur normalen Anzeigeart zurück.

ANMERKUNG: Die Angaben "A", "b" und "C" werden nur angezeigt, wenn die entsprechende Funktion konfiguriert wurde.

Falls für eine Zeit, gleich der unter P35 eingestellten Timeoutzeit keine Taste gedrückt wird, kehrt das Display automatisch zur normalen Anzeigeart zurück. Um die gewählte Anzeige beständig zu erhalten, die Taste ▲ oder ▼ drücken.

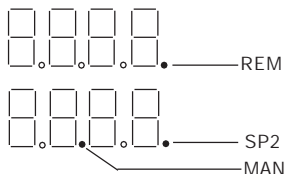
Wird hingegen die "normale Anzeigeart" gewünscht, die Taste FUNC drücken.

ANZEIGER

- °C Leuchtet, wenn die gemessene Variable in Grad Celsius angezeigt wird.
- °F Leuchtet, wenn die gemessene Variable in Grad Fahrenheit angezeigt wird.
- SMART Blinkt, wenn die SMART - Funktion die erste Phase der Selbstoptimierung durchführt.
Leuchtet dauernd, wenn die SMART - Funktion die zweite Phase der Selbstoptimierung durchführt. OUT1 Leuchtet, wenn der Ausgang 1 in ON-Zustand ist.
- OUT2 Leuchtet, wenn der Ausgang 2 in ON-Zustand, oder wenn der Alarm 1 in Alarmzustand ist.
- OUT3 Leuchtet, wenn der Alarm 2 in Alarmzustand ist.
Blinkt langsam, wenn die Funktion "Alarm Störung an Ausgang 1" in Alarmzustand ist.
Blinkt schnell, wenn sowohl der Alarm 2 als auch der "Alarm Störung an Ausgang 1" in Alarmzustand ist.



Die anderen Funktionen werden durch die Dezimalpunkte angezeigt.



REM = Der Betrieb in REMOTE (die Funktionen und Parameter werden von einer seriellen Schnittstelle gesteuert) wird durch das Blinken.

SP2 = - Langsames Blinken: Das Gerät verwendet den Sollwert 2.
- Rasches Blinken: Der verwendete Sollwert kommt von einer seriellen Schnittstelle.

MAN = Der Betrieb in MANUELL wird durch das Blinken.

Auswirkung der Betätigung der Tasten während des Betriebs

FUNC = Wenn das Gerät sich in "normaler Anzeigart" befindet:

- 1) Bei kurzem Druck (<3 s), Beginn des Verfahrens zur Änderung der Parameter.
- 2) Ein 3 bis 10 Sekunden anhaltender Druck ermöglicht die Änderung der Anzeige auf dem unteren Display (siehe "Arbeitsweise des Anzeigers").
- 3) Ein über 10 Sekunden anhaltender Druck, ermöglicht die Aktivierung des Tests der Anzeige (siehe "Lampen-Test").

Speicherung des neuen Wertes des angewählten Parameters und Anwahl des darauffolgenden Parameters.

MAN = Bei Druck über 1 s, Aktivierung/Deaktivierung der manuellen Funktion.

Während der Änderung der Parameter, Rückkehr zum vorhergehenden Parameter ohne Speicherung des neuen Wertes des aktuellen Parameters.

▲ = Vergrößern des Wertes des angewählten Parameters.

Vergrößern des Ausgangswertes während des MANUELL-Betriebs.

▼ = Verkleinern des Wertes des angewählten Parameters.

Verkleinern des Ausgangswertes während des MANUELL-Betriebs.

▲+FUNC = Wenn das Gerät sich in "normaler Anzeigart" befindet, Aktivierung oder Deaktivierung des Regelausgangs.

▲+MAN = Während der Änderung der Parameter, unmittelbarer Sprung zum größten, programmierbaren Wert.

▼+MAN = Während der Änderung der Parameter, unmittelbarer Sprung zum kleinsten, programmierbaren Wert.

ANMERKUNG: Für die Änderung der Parameter während des Betriebs ist ein Timeout von 10 oder 30 Sekunden festgesetzt (siehe P 36).

Falls während der Änderung eines Parameters für eine Zeit, die das Timeout überschreitet, keine Taste gedrückt wird, kehrt das Gerät automatisch zur normalen Anzeigart zurück, wobei es den eventuellen neuen Wert des zu diesem Zeitpunkt angewählten Parameters verliert.



AKTIVIERUNG/DEAKTIVIERUNG DES REGELAUSGANGS

Wenn das Gerät sich in der normalen Anzeigeart befindet, kann, indem die Tasten ▲ und FUNC länger als 5 Sekunden lang gedrückt werden, der Regelausgang gesperrt werden.

Auf diese Art arbeitet das Gerät wie ein Anzeigegerät. Das untere Display zeigt "OFF" an und alle Regelausgänge stellen sich auf OFF. Wenn die Regelausgänge deaktiviert sind, erfolgen auch keine Alarmsignale. Der Zustand der Alarmausgänge hängt von der Konfiguration des Geräts ab (siehe P19-P21).

Zur Reaktivierung der normalen Arbeitsweise des Geräts, die Tasten s und FUNC länger als 5 Sekunden lang drücken.

Falls programmiert, wird dadurch die Stand-by-Funktion der Alarme aktiviert.

Falls ein Spannungsabfall eintritt, während der Regelausgang gesperrt ist, sperrt das Gerät bei der Wiedereinschaltung automatisch die Regelausgänge.

UMSCHALTUNG SOLLWERT 1 / SOLLWERT 2

Die Wahl zwischen Sollwert 1 oder Sollwert 2 ist über einen äußeren Kontakt möglich (Klemmen 14 und 15).

Diese Funktion schließt die Alarmfunktion "Störung an Ausgang 1" aus.

Durch den Parameter P41 kann man den Sollwert (Endsollwert oder Betriebsollwert) ansetzen der auf den Gerät Während des Betriebs eine Rampe erscheinen wird.

ALARM STÖRUNG AN AUSGANG 1

Das Gerät ist in der Lage, folgendes anzuzeigen:

- den in der im Heizleiter angeschlossenen Ringkernspule zirkulierenden Strom, wenn die Last unter Spannung steht; den in der im Heizleiter angeschlossenen Ringkernspule zirkulierenden Verluststrom, wenn die Last nicht unter Spannung steht.

Bei korrekter Konfiguration des Parameters P10, erzeugt das Gerät eine Alarmmeldung, wenn:

- der in der Last zirkulierende Strom unter der in Parameter "Hbd" eingestellten Schaltschwelle liegt (möglicher teilweiser oder vollkommener Bruch der Last, möglicher Bruch des Stellglieds oder Vorliegen eines Spannungsabfalls durch die Aktivierung einer Schutzeinrichtung),
- der Verluststrom über der in Parameter "SCA" eingestellten Schaltschwelle liegt (möglicher Kurzschluß des Stellglieds).

Für die Anzeige des Meßwertes siehe den Abschnitt "Arbeitsweise des Anzeigers". Der Fehlerzustand wird durch das Blinken der LED "OUT3" und durch das Relais des Ausgangs 3 angezeigt. Wenn die ON-oder OFF-Periode der Zykluszeit der Last unter 400 ms liegt, wird der Strom nicht gemessen und auf der Anzeige erscheint blinkend die letzte durchgeführte Strommessung.

DIREKTE ÄNDERUNG DES SOLLWERTES

Wenn das Gerät sich in AUTO und in "normaler Anzeigeart" befindet, kann der Sollwert (SP oder SP2) direkt geändert werden, ohne die FUNC - Taste betätigen zu müssen.

Durch Druck auf die Taste ▲ oder ▼ über einen Zeitraum von mehr als 2 s, beginnt der angezeigte Sollwert sich zu ändern. Der neue Wert wird 2 Sekunden nach dem letzten Druck auf die Tasten wirksam.



MANUELLER BETRIEB

Der manuelle Betrieb kann aktiviert werden (nur wenn er durch P26 = ON freigegeben ist), indem die Taste "MAN" länger als eine Sekunde lang gedrückt wird. Der Befehl wird nur dann angenommen und durchgeführt, wenn das Gerät sich in normaler Anzeigeart befindet.

Wenn das Gerät auf manuell gestellt ist, blinkt die LED "MAN" (Dezimalpunkt rechts von der zweiten Ziffer des unteren Display) und das untere Display zeigt die Stellgröße in Prozenten an.

Die beiden signifikantesten Ziffern zeigen die Stellgröße des Ausgangs 1 an, während die beiden am wenigsten signifikanten Ziffern die Stellgröße des Ausgangs 2 (falls vorhanden) anzeigen.

Der Dezimalpunkt zwischen den beiden Werten blinkt.

Anmerkung: Das graphische Symbol " □ □ " zeigt OUT1 = 100 an.

Das graphische Symbol " □ □ " zeigt OUT2 = 100 an.

Die Stellgröße des Ausgangs kann mit Hilfe der Tasten "▲" und "▼" geändert werden.

Durch erneuten Druck auf die Taste "MAN" kehrt das Gerät in AUTOMATIK zurück. Der Übergang von AUTOMATIK zu MANUELL und umgekehrt erfolgt "stoßfrei" (diese Funktion ist nicht verfügbar, wenn die gesamte Funktion verriegelt ist). Wenn der Übergang von AUTO zu Manuellbetrieb während der ersten Phase des Algorithmus SMART erfolgt, setzt die SMART - Funktion, wenn das Gerät wieder in AUTO zurückkehrt, mit der zweiten Phase ein (ADAPTIVE).

Bei der Einschaltung, stellt das Gerät sich automatisch auf AUTO oder - je nachdem wie der Parameter P33 programmiert wurde - auf die Art, in der es sich vor der Abschaltung befand.

ANMERKUNG: Wenn das Gerät in Manuellbetrieb zu arbeiten beginnt, wird die Ausgangsleistung (OUT1 -OUT2) auf 0 modifiziert.

SERIELLE SCHNITTSTELLE

Dieses Gerät kann über eine serielle Schnittstelle an einen Computer angeschlossen werden. Der Computer kann das Gerät LOKAL einstellen (die Funktionen und Parameter können über die Tastatur geändert werden) oder REMOTE (nur der Computer kann die Funktionen und Parameter ändern). Der Zustand REMOTE wird durch das Blinken einer roten LED (Dezimalpunkt rechts am oberen Display), mit der Schrift REM, angezeigt.

Mit Hilfe der seriellen Schnittstelle können nun alle relevanten Werte (SP, PID, Alarme, etc.) vom Rechner gelesen oder überschrieben werden. Zudem kann die Konfiguration des Gerätes über die serielle Schnittstelle erfolgen. Wird die Konfiguration geändert (P - Parameter) und zum Gerät übertragen, schaltet das Gerät die Regelstrecke ab und nimmt nach erfolgreicher Übertragung automatisch die Regelung wieder in Betrieb. Alle Ausgänge werden während dieser Übertragung auf 0 gesetzt. Nach der Übertragung arbeitet das Gerät selbstständig mit den neuen Parametern.

- 1) Die seriellen Parameter von SEr1 bis SEr4 müssen korrekt eingestellt sein.
- 2) Das Gerät muß sich in Betriebsmodus befinden.

Während die Parameter geladen werden, führt das Gerät keine Regelung durch und modifiziert die Regelausgänge auf 0.

Am Ende des Konfigurationsverfahrens nimmt das Gerät automatisch die Regelung mit Rückführung auf, wobei es die neuen Einstellungen verwendet.





LAMPEN-TEST

Zur Überprüfung der korrekten Arbeitsweise des Anzeigers, die Taste FUNC länger als 10 s lang drücken: Das Gerät schaltet alle LED's des Anzeigers mit einer Auslastung von 50% ein. Der LAMPEN-TEST unterliegt keinem Timeout. Um zum Normalbetrieb zurückzukehren, erneut die Taste FUNC drücken.

Während des LAMPEN-TESTS bewahrt das Gerät seine normale Betriebsfähigkeit; über die Tastatur kann hingegen nur der Test deaktiviert werden.

SMART - FUNKTION

Ermöglicht die automatische Optimierung der Regelaktion.

Zur Freigabe der SMART - Funktion, die Taste FUNC drücken und den Parameter Snrt anwählen.

Durch Betätigung der Taste ▲ oder ▼, auf dem oberen (linken) Display die Bedingung ON anwählen und die Taste FUNC drücken. Die LED SMRT leuchtet oder blinkt, je nach der von dem Gerät gewählten Phase der Selbstoptimierung.

Wenn die SMART-Funktion freigegeben ist, können die Regelparameter angezeigt, aber nicht geändert werden.

Um die SMART - Funktion zu deaktivieren, den Parameter Snrt wählen und auf dem oberen Display OFF einstellen; anschließend die Taste FUNC drücken.

Das Gerät hält die aktuellen Werte der Regelparameter und gibt die Änderung der Parameter selbst frei.

- ANMERKUNGEN:**
- 1) Durch Einstellung der Regelung auf EIN/AUS - Regelverhalten ($P_b = 0$) wird die SMART-Funktion deaktiviert.
 - 2) Die Aktivierung/ Deaktivierung der SMART-Funktion kann durch einen Sicherheitscode geschützt werden (siehe Parameter P27).





BETRIEBSPARAMETER

Die Taste FUNC drücken: Auf dem unteren Display erscheint der Code/Parameter, während das obere Display den Wert des gewählten Parameters anzeigt. Mit Hilfe der Tasten ▲ und ▼ kann der gewünschte Wert oder Zustand eingestellt werden.

Durch Betätigung der Taste FUNC, speichert das Gerät den neuen Wert (oder den neuen Zustand) und geht zur Anzeige des folgenden Parameters über.

Einige der folgenden Parameter könnten - je nach Konfiguration des Gerätes - nicht angezeigt werden.

Param. Beschreibung

SP **Sollwert** (in physikalischen Einheiten)
Bereich: von rL bis rH
SP ist wirksam, wenn der Logikeingang offen ist.

Snrt **Status der SMART-Funktion.**
Die Anzeigen On oder OFF zeigen den aktuellen Zustand der SMART- Funktion an.

Zur Aktivierung der SMART-Funktion, On einstellen. Zur Deaktivierung der SMART-Funktion, OFF einstellen.

n.rSt **Manuelles Rücksetzen der Alarme.**
Dieser Parameter wird nur angezeigt, wenn mindestens einen Alarm das manuelle Rücksetzen vorsieht.
On einstellen und die Taste FUNC drücken, um die Alarme zurückzusetzen.

SP2 **Sollwert 2** (in physikalischen Einheiten)
Bereich: von rL bis rH.
SP2 ist wirksam, wenn der an den Logikeingang angeschlossene Kontakt geschlossen ist.

nnn **Sicherheitscode für die Verriegelung der Parameter.**

“nnn” wird nicht angezeigt, wenn P18 = 0 oder 1.

On = Die Parameter sind verriegelt.
OFF = Die Parameter sind nicht verriegelt.

Falls die Verriegelung der Parameter deaktiviert werden soll, denselben Wert einstellen, der dem Parameter P18 zugeordnet wurde. Wenn die Verriegelung wieder aktiviert werden soll, einen vom Wert des Parameters P18 abweichenden Wert einstellen.

AL1 **Schaltschwelle des Alarms 1**
AL1 ist nur vorhanden, wenn P7 gleich 1, 2 oder 3 ist.

Bereiche:
Für Absolutalarm- von P3 bis P4.
Für Bandalarm - von 0 bis 500.
Für Abweichungsalarm - von -500 bis +500.

HSA1 **Hysterese Alarm 1**
Dieser Parameter ist nur vorhanden, wenn P7 gleich 1, 2 oder 3 ist.
Von 0.1 bis 10.0% des P4-P3 Bereichs.

Anmerkung: Wenn die Hysterese eines Bandalarms größer als das eingestellte Band ist, verwendet das Gerät einen Hysteresewert, der dem Bandwert minus 1 Digit gleich ist.

AL2 **Schaltschwelle des Alarms 2**
Dieser Parameter wird angezeigt, wenn P12 gleich 1, 2 oder 3 ist und P14=OPrt. (Für die Grenzwerte siehe AL1).

HSA2 **Hysterese Alarm 2**
Dieser Parameter wird angezeigt, wenn P12 gleich 1, 2 oder 3 ist und P14=OPrt. Für weitere Einzelheiten siehe Parameter HSA1.





Pb Proportionalband

Bereich:
- Von 1.0% bis 100.0% des Regelbereichs, wenn P7 ungleich 4.
- Von 1,5% bis 100% des Regelbereichs, wenn P7 = 4.
Wenn Pb = 0, wird das Regelverhalten der Art ON/OFF.

Anmerkung: Wenn das Gerät mit der SMART-Funktion arbeitet, nimmt Pb Werte zwischen P29 und P30 oder P31 an.

HyS Hysterese der ON/OFF-Aktion.

(nur wenn Pb=0)
Von 0,1 bis 10,0% des Bereichs P4 - P3.

ti Nachstellzeit (Integralzeit)

Dieser Parameter wird übersprungen, wenn Pb = 0 (ON/OFF-Regelverhalten).
Von 00.01 bis 20.00 (in Minuten und Sekunden [mm.ss]). Bei höheren Werten verdunkelt sich die Anzeige und die Nachstellzeit wird ausgeschlossen.

Anmerkung: Wenn das Gerät mit der SMART-Funktion arbeitet, nimmt "ti" Werte zwischen 0 und dem Wert von P32 an.

td Vorhaltezeit (Differentialzeit)

Dieser Parameter wird übersprungen, wenn Pb = 0 (ON/OFF-Regelverhalten) oder P40 = Pi.
Von 00.00 bis 10.00 (in Minuten und Sekunden [mm.ss]).

Anmerkung: Wenn das Gerät mit der SMART-Funktion arbeitet, nimmt "td" einen Wert an, der einem Viertel des Wertes von "ti" gleich ist.

IP Integralvorspann

Dieser Parameter wird übersprungen, wenn Pb = 0 (ON/OFF-Regelverhalten)
Bei Verwendung eines Regelausgangs kann IP von 0 bis 100% programmiert werden.
Bei Verwendung von zwei Regelausgängen kann IP von -100% (100% Kühlung) bis 100% (100% Heizung) programmiert werden.

Cy1 Zykluszeit des Ausgangs 1

Bereich: Von 1 bis 200 Sek.

Cy2 Zykluszeit Ausgang 2

nur vorhanden, wenn P7 = 4.
Bereich: Von 1 bis 200 Sek.

rC Relative Kühlverstärkung

nicht vorhanden, wenn Pb = 0 oder P7 ungleich 4.

Bereich: Von 0.20 bis 1.00.

Anmerkung: Wenn die SMART-Funktion aktiviert und P28 auf On eingestellt ist, wird der Parameter rC in Funktion des gewählten Kühlmediums begrenzt:

- von 0.85 bis 1.00, wenn P8 = Luft
- von 0.80 bis 0.90, wenn P8 = ÖL
- von 0.30 bis 0.60, wenn P8 = H2O

OLAP Überlagerung/Totband zwischen Heizen und Kühlen

nicht vorhanden, wenn Pb = 0 oder P7 ungleich 4.

Bereich: Von -20 bis 50% des Wertes von Pb.

Ein negativer Wert zeigt ein Totband an; ein positiver Wert eine Überlagerung.

rL Untere Grenze des Sollwertes

Bereich: Vom Anfangswert (P3) bis rH.

Anmerkung: Bei einer Änderung von P3, nimmt rL den Wert von P3 an.





- rH **Obere Grenze des Sollwertes**
Bereich: Von rL bis zum Endwert (P4).
Anmerkung: Bei einer Änderung von P4, nimmt rH den Wert von P4 an.
- Grd1 **Positive Sollwertrampe**
Bereich: Von 1 bis 100 Digits/Minute.
Über diesem Wert, zeigt das Gerät "InF" an und die Umschaltung erfolgt in einem Sprung.
- Grd2 **Negative Sollwertrampe**
Weitere Angaben: siehe Parameter Grd1
- OLH **Ausgangsleistungsbegrenzung**
Bereich:
- Von 0.0 bis 100.0% bei Verwendung eines Regelausgangs.
- Von -100.0 bis 100.0% bei Verwendung von zwei Regelausgängen.
- tOL **Dauer der Ausgangsleistungsbegrenzung (Soft Start)**
Bereich: Von 1 bis 540 Minuten. Über diesem Wert, zeigt das Gerät "InF" an und die Begrenzung ist immer aktiv.
Anmerkung: tOL kann jederzeit geändert werden, aber der neue Wert wird erst bei der nächsten Einschaltung des Geräts wirksam.
- Hbd **Schaltpunkt für die Anzeige des von der im Heizleiter angeschlossenen Ringkernspule verbrauchten Stroms.**
Dieser Parameter ist nur vorhanden, wenn P10 mit N.O. oder N.C. gleich ist.
Bereich: Von 0 bis zum Endwert (siehe auch Parameter P11).
Anmerkungen:
1) Die Anzeige-Auflösung = 0.1 A für Belastungen bis zu 20 A oder 1A für Belastungen bis zu 100 A.
2) Die Hysterese dieses Alarms ist bei 1% festgesetzt.

- SCA **Schaltpunkt für die Anzeige des in der im Heizleiter angeschlossenen Ringkernspule zirkulierenden Verluststroms.**
Dieser Parameter ist nur vorhanden, wenn P10 mit N.O. oder N.C. gleich ist.
Bereich: Von 0 bis zum Endwert (siehe auch Parameter P11).
Anmerkungen:
1) Die Anzeige-Auflösung = 0.1 A für Belastungen bis zu 20 A oder 1A für Belastungen bis zu 100 A.
- rnP **Maximale Anstiegsrampe des Regelausgangs**
Dieser Parameter ist nur vorhanden, wenn Pb nicht 0 ist.
Von 1% bis 25% der Stellgröße pro Sekunde programmiert werden.
Bei einem Wert über 25%/s zeigt das Display "InF" an und die Begrenzung ist deaktiviert.



FEHLERMELDUNGEN

ANZEIGE VON ÜBER- BZW. UNTERSCHREITUNGEN DES BEREICHS UND/ODER FÜHLERBRUCH

Diese Geräte sind in der Lage, Bereichsüber- bzw. unterschreitungen oder den Bruch des Fühlers zu erfassen. Wenn die Variable die mittels des Parameters P1 festgesetzten Grenzwerte überschreitet, signalisiert das Gerät diese Meßbereichsüberschreitung mit der folgenden Anzeige auf dem oberen Display.



Eine Meßbereichsunterschreitung (Signal unter dem Anfangswert) wird mit der folgenden graphischen Anzeige signalisiert:



Wenn P37 gleich 0 ist, tritt eine der folgenden Bedingungen ein:

- Wenn das Gerät für die Verwendung eines einzigen Regelausgangs programmiert ist und eine Meßbereichsüberschreitung erhoben hat, wird der Ausgang 1 auf 0 (durch umgekehrte Aktion), oder auf 100% (durch direkte Aktion) modifiziert.
- Wenn das Gerät für die Verwendung von zwei Regelausgängen programmiert ist und eine Meßbereichsüberschreitung erhoben hat, wird der Ausgang 1 auf 0 und der Ausgang 2 auf 100% modifiziert.

- Wenn das Gerät für die Verwendung eines einzigen Regelausgangs programmiert ist und eine Meßbereichsunterschreitung erhoben hat, wird der Ausgang 1 auf 100% (durch umgekehrte Aktion), oder auf 0 (durch direkte Aktion) modifiziert.
- Wenn das Gerät für die Verwendung von zwei Regelausgängen programmiert ist und eine Meßbereichsunterschreitung erhoben hat, wird der Ausgang 1 auf 100% und der Ausgang 2 auf Null modifiziert.

Wenn P37 nicht 0 ist und eine Überschreitung des Bereichs erhoben wird, verhält das Gerät sich in Funktion der Einstellung der Parameter P37 und P38.

Der Bruch des Fühlers wird folgendermaßen signalisiert.

- Eingang TC/mV: Meßbereichsüberschreitung oder Meßbereichsunterschreitung mittels Brücke wählbar.
- Eingang RTD: Meßbereichsüberschreitung
- Eingang mA/V: Meßbereichsunterschreitung

ANMERKUNG: Für die linearen Eingänge, kann der Bruch des Fühlers nur für die Eingänge 4-20 mA, 1-5 V oder 2-10 V erhoben werden. Für den Eingang RTD, signalisiert das Gerät eine Meßbereichsüberschreitung, wenn der Eingangswiderstand unter 15 Ohm liegt (Erhebung des Kurzschlusses des Fühlers).



FEHLERMELDUNGEN

Das Gerät ist mit Selbstdiagnose-Algorithmen versehen.

Sobald ein Fehler erhoben wird, erscheint auf dem unteren Display des Geräts die Schrift "Err", während auf dem oberen Display die Kennzahl des Fehlers erscheint.

VERZEICHNIS DER MÖGLICHEN FEHLER

SEr	Fehler in den zur seriellen Schnittstelle gehörigen Parametern
100	Schreibfehler der EEPROM.
150	Allgemeiner Fehler in der CPU.
200	Einschreibversuch in geschützte Speicher.
201-2xx	Fehler in den Konfigurationsparametern. Die beiden letzten Ziffern zeigen die Nummer des falschen Parameters an (z.Bsp. 209 Err zeigt einen Fehler im Parameter P9 an).
301	Eichfehler des RTD-Eingangs
305	Eichfehler des TC/mV-Eingangs
307	Eichfehler des RJ-Eingangs
310	Eichfehler des TA-Eingangs
311	Eichfehler des 20 mA-Eingangs
312	Eichfehler des 5 V- Eingangs
313	Eichfehler des 10 V-Eingangs
400	Fehler in den Regelparametern
500	Fehler im automatischen Nullabgleich
502	RJ-Fehler
510	Fehler während des Eichverfahrens

ANMERKUNGEN:

- 1) Wenn das Gerät einen Fehler in den Konfigurationsparametern anzeigt, genügt es, die Konfiguration des entsprechenden Parameters zu wiederholen.
- 2) Wird der Fehler 400 angezeigt, gleichzeitig die Tasten ▼ und ▲ drücken und die vordefinierten Parameter laden; anschließend die Einstellung der Regelparameter wiederholen.
- 3) Bei allen anderen Fehlermeldungen den Lieferanten informieren.



TECHNISCHE MERKMALE

TECHNISCHE SPEZIFIKATIONEN

Gehäuse: Graues Polycarbonat (RAL7043).

Grad der Selbstlöschung: V-0 gemäß UL 94.

Frontschutz: Entwickelt und getestet zur Gewährleistung der Schutzklasse IP 65 (*) und NEMA 4X für Verwendung in geschlossenen Räumen.

(*) Die Überprüfungen wurden gemäß den CEI-Normen 70-1 und NEMA 250-1991 durchgeführt.

Installation: Fronttafeleinbau.

Rückseitiger Anschlußblock:

15 Schraubanschlüsse (Schraube M3 für Kabel mit von 0,25 bis 2,5mm² oder von AWG 22 bis AWG 14), mit Anschlußbildern und Sicherheitsabdeckungen.

Abmessungen: Gemäß DIN 43700 48 x 48 mm, Tiefe 122 mm.

Gewicht: 250 g.

Versorgung:

- Von 100 V bis 240 VAC, 50/60 Hz (von -15% bis +10% des Nennwerts).

- 24 V AC/DC (± 10% des Nennwerts).

Leistungsaufnahme: max. 8 VA

Isolationswiderstand: > 100 MΩ gemäß IEC 1010-1.

Isolationsspannung: 1500 V rms gemäß IEC 1010-1.

Aktualisierungszeit des Displays: 500 ms.

Abtastrate:

- 250 ms bei Lineareingängen

- 500 ms bei Eingängen von Thermoelement oder PT 100

Auflösung: 30000 Zählungen.

Genauigkeit: ± 0,2% Endwert ± 1 digit @ 25°C Umgebungstemperatur.

Gleichtaktunterdrückung: 120 dB bei 50/60 Hz.

Serientaktunterdrückung: 60 dB bei 50/60 Hz.

Elektromagnetische Kompatibilität und Sicherheitsnormen: Dieses Gerät trägt das CE-Zeichen und entspricht daher den Richtlinien 89/336/EEC und den Richtlinien 73/23/EEC und 93/68/EEC

Installationsklasse: II

Temperaturdrift: (CJ ausgeschlossen)

< 200 ppm/°C der Breite der eingestellten Skala für mV- und Thermoelement-Eingänge - Bereiche 1, 3, 5, 6, 19, 20, 21, 22.

< 300 ppm/°C der Breite der eingestellten Skala für mA- und V-Eingänge.

< 400 ppm/°C der Breite der eingestellten Skala für PT 100-Eingänge - Bereiche 10, 26 und Thermoelement-Eingänge - Bereiche 0, 2, 4, 27, 28.

< 500 ppm/°C der Breite der eingestellten Skala für PT 100-Eingänge - Bereich 9 und Thermoelementeingänge - 7, 8, 23, 24.

< 800 ppm/°C der Breite der eingestellten Skala für PT 100-Eingänge - Bereich 25.

Betriebstemperatur: Von 0 bis 50 °C.

Lagertemperatur: Von -20 bis + 70°C.

Relative Feuchtigkeit: Von 20% bis 85%, nicht kondensierend.

Höhe: Dieses Produkt ist nicht für den Einsatz in Höhen über 2000m (6562ft) geeignet.

Schutzschaltungen:

1) WATCH DOG- Schaltung für automatische Wiedereinschaltung.

2) DIP-SWITCH für Konfiguration und Kalibrierung.

EINGÄNGE

A) THERMOELEMENTE

Art: L-J-K-N-R-S-T. °C/°F einstellbar.

Externer Widerstand: Max. 100, mit max. Fehler gleich 0,1% der Breite des eingestellten Bereichs.

Burn out: Als Ovrerange-Zustand angezeigt (Standard). Mittels Kodierstecker kann die Underrange-Anzeige gewählt werden.

Vergleichsstelle: Automatische Kompensation von 0 bis 50°C.

Genauigkeit der Vergleichsstelle: 0,1°C/°C.

Eingangswiderstand: 1 MΩ

Kalibrierung: Gemäß IEC 584-1 und DIN





43710-1977.
TABELLE STANDARDSKALEN

T/C Art	Skalen		
L 0	0 /+ 400.0°C		---
L 1	0 /+ 900 °C	19	0 / + 1650 °F
J 2	-100.0/+ 400.0°C		---
J 3	-100 /+ 1000 °C	20	-150 / + 1830 °F
K 4	-100.0/+ 400.0°C		---
K 5	-100 /+ 1370 °C	21	-150 / + 2500 °F
N 6	-100 /+ 1400 °C	22	-150 / + 2550 °F
R 7	0 /+ 1760 °C	23	0 / + 3200 °F
S 8	0 /+ 1760 °C	24	0 / + 3200 °F
T 27	-199.9/+ 400.0°C	28	-330 / + 750 °F

B) RTD (Resistance Temperature Detector)

Art: 3-Leiter-PT 100

Strom: 135 µA.

Einstellung °C/°F: Über Fronttastatur oder serielle Schnittstelle.

Leitungswiderstand: Automatische Kompensation bis zu 20/Leiter mit nicht meßbarem Fehler.

Eichung: Gemäß DIN 43760.

Burn out: Beim Endwert. ANMERKUNG: Eine Spezialfunktion produziert eine BEREICHSÜBERSCHREITUNGS-Anzeige, wenn der Eingangswiderstand unter 15 liegt.

TABELLE - STANDARDSKALEN

Art des Eingangs	Skalen	
RTD Pt 100 Ω DIN 43760	9	- 199,9 / + 400,0 °C
	10	- 200 / + 800 °C
	25	-199,9 / +400,0 °F
	26	-330 / + 1470 °F

C) Lineareingänge

Anzeige: Von -1999 bis + 4000 über Fronttastatur einstellbar.

Dezimalpunkt: An jeder beliebigen Stelle programmierbar.

Burn out: Das Gerät erfaßt den Burn out für 4-20mA, 1-5V und 2-10V und zeigt ihn als Bereichsüberschreitung an. Für 0-60 mV und 12-60 mV wird der Burn out als Bereichsüberschreitung angezeigt. Für 0-20mA, 0-5V und 0-10V ist keine Anzeige vorgesehen.

Art des Eingangs	Widerstand	Genauigkeit
11	0 - 60 mV	0,2 % + 1 digit @ 25°C
12	12 - 60 mV	
13	0 - 20 mA	
14	4 - 20 mA	
15	0 - 5 V	
16	1 - 5 V	
17	0 - 10 V	
18	2 - 10 V	

D) LOGIKEINGANG

Das Gerät ist mit einem Logikausgang (über Kontakt) ausgerüstet, der zum Start der Durchführung des Programms verwendet wird.

ANMERKUNGEN:

- 1) Externe Kontakte mit Belastbarkeit über 0.5 mA, 5V DC verwenden.
- 3) Die Logikeingänge sind gegenüber dem Meßeingang NICHT isoliert.
- 4) Diese Funktion arbeitet in Alternative zur Messung des Laststroms.



E) EINGANG VON STROMWANDLER

Der mit dieser Funktion ausgerüstete LFS ist in der Lage, über einen Stromwandler, durch einen Alarm eventuelle Störungen an der im Heizleiter angeschlossenen Ringkernspule anzuzeigen (siehe "Alarm Störung an Ausgang 1).

Kategorie des Masses: CAT III

Regelbereich: Von 0 bis 50 mA.

Anzeige: Von Endwert 10 A bis Endwert 100 A in Schritten von jeweils 1 A.

Auflösung:

- 0,1 A für Belastungen bis zu 20 A.

- 1 A für Belastungen bis zu 100 A.

Mindestdauer der Periode (ON oder OFF)

der Durchführung der Messung: 400 ms.

ANMERKUNG:

- Diese Funktion schließt den Logikeingang aus.
- Der gegenwärtige Transformator muß gemäß Norm EN 60950 zu den Abständen verhältnismäßig sein.

SOLLWERT

Dieses Gerät ermöglicht die Verwendung von 2 Sollwerten (SP, SP2).

Die Wahl des Betriebssollwerts kann nur über den Logikeingang durchgeführt werden.

Umschaltung zwischen den Sollwerten:

Die Umschaltung von einem Sollwert zum anderen (oder zwischen zwei verschiedenen Werten desselben Sollwerts) kann in einem Sprung oder mit einer Rampe mit unterschiedlich einstellbaren Steigungen erfolgen (Auf-Rampe und Ab-Rampe).

Änderungsgeschwindigkeit: Von 1 bis 100 Einheiten/Minute.

Sollwertgrenzen: Parameter RLO und RHI.

REGELVERHALTEN

Algorithmus: P.I.D + SMART

Type: Ein (Heizen oder Kühlen) oder zwei (Heizen und Kühlen) Regelausgänge.

Proportionalband (Pb):

Bereich: - Von 1,0 bis 100,0% der Breite des Eingangsbereiches bei Anwendungen als reiner Heizregler.

- Von 1.5 bis 100.0% des

Eingangsbereiches bei Anwendungen als Heiz-/Kühlregler.

Wenn Pb = 0, wird die Regelaktion ON/OFF.

Hysterese (für Aktion ON/OFF): Von 0,1% bis 10,0% der Breite des Eingangsbereiches.

Integralzeit: Von 1" bis 20' oder ausgeschlossen.

Differenzialzeit: Von 0" bis 10' oder ausgeschlossen.

Vorladen des integralen Vorspanns:

- Von 0 bis 100 % für einen Regelausgang.

- Von - 100 bis + 100% für zwei Regelausgänge.

SMART-Funktion: Aktivierung/Deaktivierung über Fronttastatur.

Automatik-/Manuellbetrieb: Über Fronttastatur einstellbar.

Umschaltung Auto/Manuell: Stoßfrei.

"MAN"- Anzeiger: Bei Automatikbetrieb ausgeschaltet und bei Manuellbetrieb eingeschaltet.

AUSGÄNGE

Aktualisierungszeit des Regelausgangs:

- 250 ms bei Lineareingängen

- 500 ms bei Thermoelement- oder PT 100-Eingängen.

Regelverhalten: Direkt oder indirekt einstellbar.

Anzeige der Ausgangsleistung

Das Gerät zeigt die Werte des Heiz-bzw. Kühlausgangs getrennt an.

Anzeige des Status der Ausgänge: 3 LED's

(OUT 1, OUT 2 und OUT 3) sind eingeschaltet, wenn der entsprechende Ausgang aktiv ist.





Ausgangssignalbegrenzung:

- Bei einem Regelausgang: Von 0.0 bis 100.0%.
- Bei zwei Regelausgängen: Von -100.0 bis +100.0%.

Diese Funktion ist während der Startphase für eine einstellbare Zeit automatisch aktiv (zur Vermeidung von Thermoschocks oder zur Vorwärmung der Anlage).

Zykluszeit:

- Für den Ausgang 1 von 1 bis 200 Sekunden einstellbar.
- Für den Ausgang 2 von 1 bis 200 Sekunden einstellbar.

Relative Kühlverstärkung:

Von 0.20 bis 1.00 einstellbar.

Überlappung/Totband: Von -20% bis + 50% des Proportionalbandes einstellbar.

Ausgang 1

Art: Relais mit SPDT-Kontakt (Schließer oder Öffner mit Kodierstecker wählbar).

Kontaktbelastbarkeit: 3 A, 250 V AC bei ohmscher Belastung.

Funktion: Regelausgang (Heizen oder Kühlen).

Zykluszeit: Von 1 s bis 200 s einstellbar.

Ausgang 2

Art: Relais mit SPDT-Kontakt

Kontaktbelastbarkeit: 2 A, 250 V AC bei ohmscher Belastung.

Funktion: Wie folgt einstellbar:

- Regelausgang (Kühlen).
- Ausgang Alarm 1.

Zykluszeit (bei Verwendung als Regelausgang): Von 1 s bis 200 s einstellbar.

Ausgang 3

Art: Relais mit SPDT-Kontakt

Kontaktbelastbarkeit: 2 A, 250 V AC bei ohmscher Belastung.

Funktion: Ausgang Alarm 2.

ALARME

Regelverhalten: Direkt oder indirekt einstellbar.

Funktion der Alarme: Jeder Alarm kann als Absolut-, Band- oder Abweichungsalarm programmiert werden.

Rücksetzen der Alarme: Für jeden Alarm automatisch oder manuell separat einstellbar.

Alarmunterdrückung: Jeder Alarm kann mit oder ohne Unterdrückung programmiert werden. Diese Funktion ermöglicht die Eliminierung falscher Alarmanzeigen bei der Einschaltung des Gerätes oder nach einer Änderung des Sollwerts.

Absolutalarml:

Wirkungsweise: Maximum- oder Minimalalarm.

Schaltswelle: In physikalischen Einheiten innerhalb des Regelbereiches (P4 - P3) einstellbar.

Hysterese: Von 0,1% bis 10,0% der Breite des Regelbereichsbereiches einstellbar.

Bandalarml:

Wirkungsweise: Innerhalb oder außerhalb des Bandes.

Schaltswelle: Von 0 bis 500 Einheiten einstellbar.

Hysterese: Von 0,1% bis 10,0% der Breite des Regelbereiches einstellbar.



Abweichungsalarme:

Wirkungsweise: Ober- oder unterhalb des eingestellten Wertes.

Schaltswelle: Von -500 bis +500 Einheiten einstellbar.

Hysterese: Von 0,1% bis 10,0% der Breite des Regelbereiches einstellbar.

SERIELLE KOMMUNIKATIONSSCHNITTSTELLE

Type: RS - 485 isoliert.

Protokolle: MODBUS, JBUS, ERO polling/selecting.

Baudrate: Von 600 bis 19200 Baud programmierbar.

Byte-Format: 7 oder 8 Bits programmierbar.

Parität: Even, odd oder keine.

Stop-Bit: Eins

Adressen:

- von 1 bis 95 bei ERO-Protokoll

- von 1 bis 255 bei allen anderen Protokollen.

Ausgangsspannungspegel: Gemäß EIA-Standard

WARTUNG

- 1) DIE SPANNUNGSZUFUHR ZUM GERÄT UNTERBRECHEN (Versorgung, Relaisausgänge, usw.).
- 2) Das Gerät aus dem Gehäuse ziehen.
- 3) Mit Hilfe eines Absaugers oder eines Druckluftstrahls mit niedrigem Druck (max. 3 kg/cm²) eventuelle Staub- und Schmutzablagerungen von den Belüftungsschlitzen und von den Schaltkreisen entfernen. Dabei vorsichtig verfahren, um eine Beschädigung der Komponenten zu vermeiden.
- 4) Zur Reinigung der äußeren Plastik- oder Gummiteile ausschließlich einen sauberen Lappen verwenden, befeuchtet mit:
 - Äthylalkohol (rein oder denaturiert) [C₂H₅OH]
 - Isopropylalkohol (rein oder denaturiert) [(CH₃)₂CHOH]
 - Wasser (H₂O)
- 5) Den festen Sitz der Klemmen überprüfen.
- 6) Das Gerät muß vollkommen trocken sein, bevor es wieder in das Gehäuse geschoben wird.
- 7) Das Gerät mit Spannung versorgen.





MONTAGGIO

Scegliere una posizione di montaggio pulita, facilmente accessibile anche sul retro e possibilmente esente da vibrazioni. La temperatura ambiente deve essere compresa tra 0 e 50 °C. Lo strumento può essere montato su un pannello avente uno spessore massimo di 15 mm dopo aver eseguito un foro quadrato di 45 x 45 mm. Per le dimensioni di ingombro e foratura vedere Fig. 2.

La rugosità superficiale del pannello deve essere migliore di 6,3 µmm.

Lo strumento è fornito di guarnizione in gomma (da 50 a 60 Sh).

Per garantire la protezione IP65 e NEMA 4, inserire la guarnizione, fornita con l'apparecchio, tra lo strumento ed il pannello (vedere figura 1). Per fissare lo strumento al pannello, procedere come segue:

- 1) infilare la guarnizione sulla custodia dello strumento.
- 2) inserire lo strumento nella foratura
- 3) mantenendo lo strumento ben appoggiato al pannello, inserire la bretella di fissaggio.
- 4) utilizzando un cacciavite, serrare le viti con una coppia compresa tra 0.3 e 0.4 Nm.

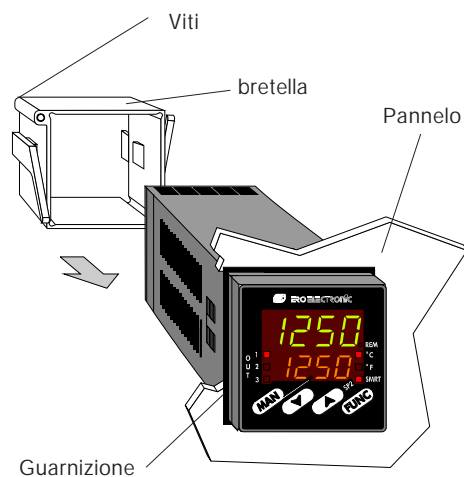


Fig. 1

1



DIMENSIONI E FORATURA

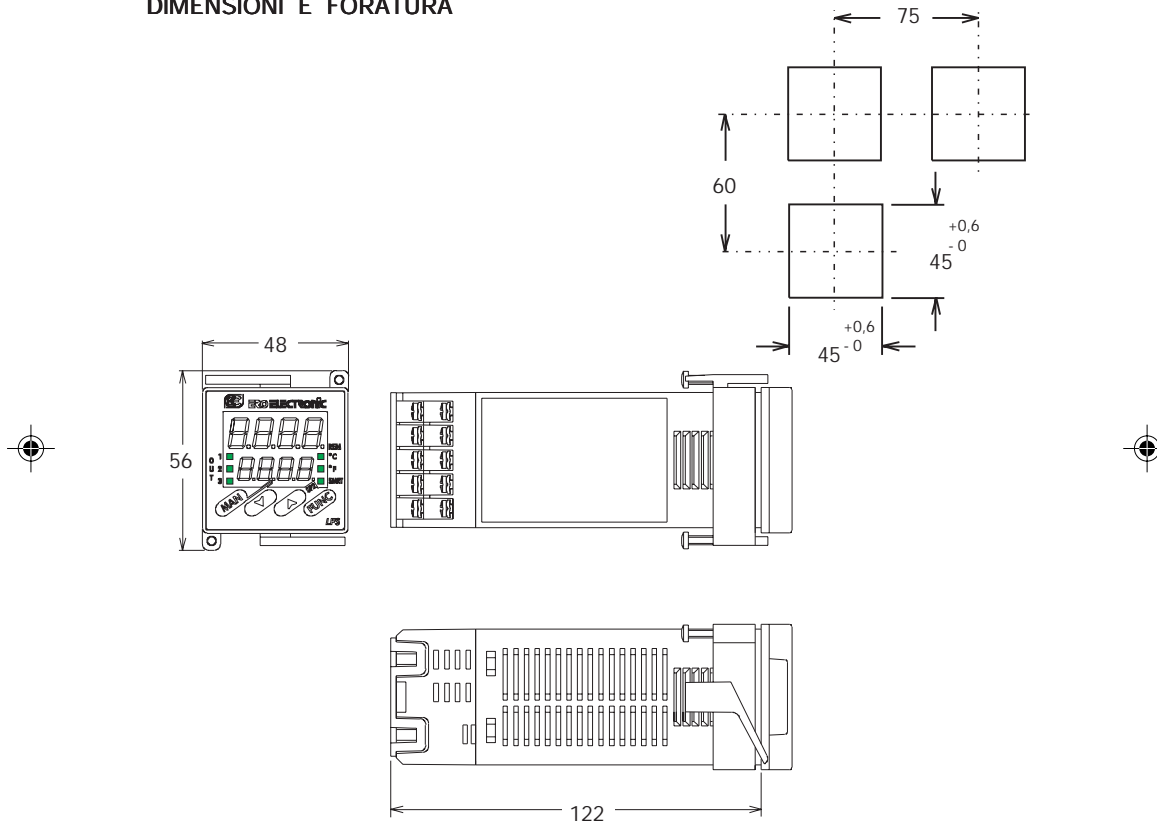


Fig. 2 DIMENSIONI E FORATURA

2





COLLEGAMENTI ELETTRICI

I collegamenti devono essere effettuati dopo che la custodia dello strumento è stata regolarmente montata sul pannello.

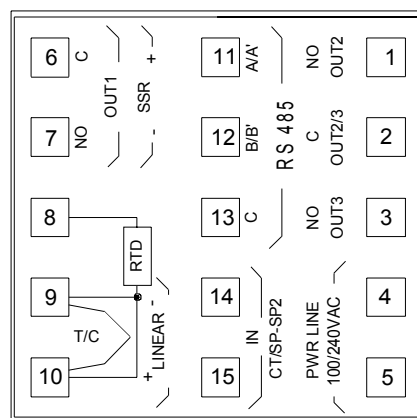


Fig. 3 MORSETTIERA POSTERIORE

A) INGRESSI DI MISURA

NOTA: Componenti esterni (es. barriere zener) collegati tra il sensore ed i terminali di ingresso dello strumento possono causare errori di misura dovuti ad una impedenza troppo elevata o non bilanciata oppure alla presenza di correnti di dispersione.

INGRESSO DA TC

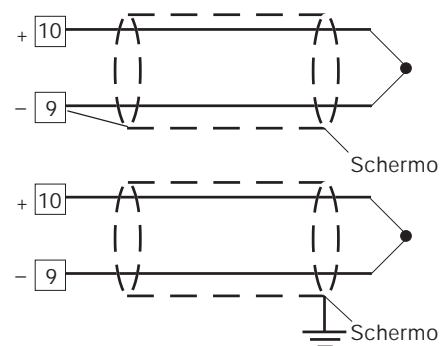


Fig. 4 COLLEGAMENTO DI TERMOCOPPIE

NOTE:

- 1) Non posare i cavi dei segnali parallelamente o vicino a cavi di potenza o a sorgenti di disturbi.
- 2) Per il collegamento della TC usare cavo di compensazione/estensione appropriato, preferibilmente schermato.
- 3) Quando si usa cavo schermato, lo schermo deve essere collegato a terra ad una sola estremità.



INGRESSO DA RTD

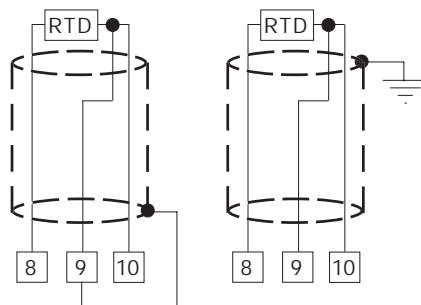


Fig. 5 COLLEGAMENTO DI TERMORESISTENZE

NOTE:

- 1) Non posare i cavi dei segnali parallelamente o vicino a cavi di potenza o a sorgenti di disturbi.
- 2) Fare attenzione alla resistenza di linea, una resistenza di linea eccessivamente alta (superiore a 20 Ω /filo) può causare errori di misura.
- 3) Quando si usa cavo schermato, lo schermo deve essere collegato a terra ad una sola estremità.
- 4) I 3 fili devono avere la stessa impedenza.

INGRESSO LINEARE

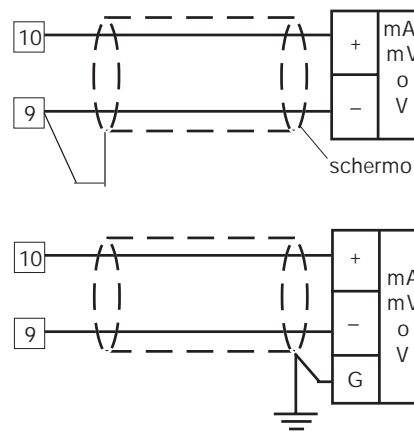


Fig. 6 COLLEGAMENTO PER INGRESSO IN mA, mV o V

NOTE:

- 1) Non posare i cavi dei segnali parallelamente o vicino a cavi di potenza o a sorgenti di disturbi.
- 2) Fare attenzione alla resistenza di linea, una resistenza di linea eccessivamente alta può causare errori di misura.
- 3) Quando si usa cavo schermato, lo schermo deve essere collegato a terra ad una sola estremità.
- 4) L'impedenza di ingresso è pari a:
 - < 5 Ω per ingresso 20 mA
 - > 1 M Ω per ingresso 60 mV
 - > 200 k Ω per ingresso 5 V
 - > 400 k Ω per ingresso 10 V



B.1) INGRESSO LOGICO

Questo strumento può utilizzare l'ingresso "IN CT/SP-SP2" (morsetti 14 e 15) come trasformatore di corrente o ingresso logico.

Note di sicurezza:

- 1) Non stendere i cavi relativi all'ingresso logico insieme o parallelamente ai cavi di potenza.
- 2) Utilizzare un contatto esterno adatto ad una corrente di 0.5 mA, 5 V c.c.
- 3) Lo strumento abbisogna di 100 ms per riconoscere la variazione di stato del contatto.
- 4) L'ingresso logico **NON** è isolato rispetto all'ingresso di misura.
- 5) Questa opzione esclude l'ingresso da trasformatore amperometrico.

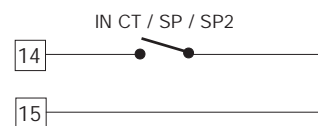


Fig. 7 -COLLEGAMENTO DELL'INGRESSO LOGICO

Lo strumento può utilizzare l'ingresso "IN CT/SP-SP2" (morsetti 14 e 15) come ingresso da trasformatore amperometrico o ingresso logico. Quando utilizzato come ingresso logico, consente di selezionare il set point operativo.

ingresso logico	set point operativo
aperto	SP
chiuso	SP2

B.2) INGRESSO DA TRASFORMATORE AMPEROMETRICO

Questo strumento può utilizzare l'ingresso "IN CT/SP-SP2" (morsetti 14 e 15) come trasformatore di corrente o ingresso logico.

Note:

- 1) L'impedenza di ingresso è pari a 10 Ω.
- 2) La massima corrente di ingresso è pari a 50 mA (50 / 60 Hz).
- 3) Il minimo tempo (del periodo ON o OFF) per eseguire la misura di corrente è di 400 ms.

Nota di sicurezza:

- Non posare i cavi dei segnali relativi al trasformatore di corrente parallelamente o vicino a cavi di potenza o a sorgenti di disturbi.

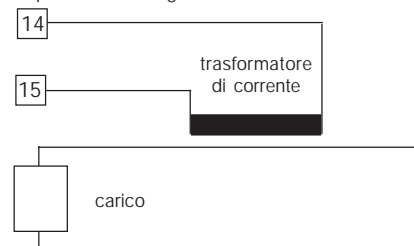


Fig. 8 COLLEGAMENTO DEL TRASFORMATORE AMPEROMETRICO

Questo ingresso consente di misurare e di visualizzare la corrente circolante durante i periodi ON e OFF nel carico pilotato dall'uscita 1, questa caratteristica è utilizzata nella funzione "allarme di anomalia sull'uscita 1".(vedere descrizione a pag 20).



C) USCITE A RELÈ

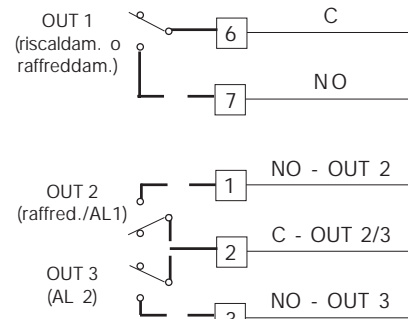


Fig. 9 COLLEGAMENTO DELLE USCITE A RELÈ'

La portata dei contatti per l'uscita 1 è pari a 3A/250V c.a. su carico resistivo.

La portata dei contatti per le uscite 2 e 3 è pari a 2A/250V c.a. su carico resistivo.

L' MTBF è di 2×10^5 alla portata specificata.

- NOTE**
- 1) Per evitare il rischio di scosse elettriche collegare la potenza solo dopo aver effettuato tutti gli altri collegamenti.
 - 2) Per il collegamento di potenza, utilizzare cavi No 16 AWG o maggiori adatti per una temperatura di almeno 75 °C.
 - 3) Utilizzare solo conduttori di rame.
 - 4) Non posare i cavi dei segnali parallelamente o vicino a cavi di potenza o a sorgenti di disturbi.

Tutti i contatti dei relè sono protetti, tramite varistori, verso carichi che abbiano componente induttiva fino a 0.5 A.

Le raccomandazioni che seguono possono evitare seri problemi causati dall' utilizzo delle uscite a relè per pilotare carichi induttivi.

CARICHI INDUTTIVI

Nella commutazione di carichi induttivi si possono generare transitori e disturbi che possono pregiudicare le prestazioni dello strumento. Per tutte le uscite, le protezioni interne (varistori) assicurano la corretta protezione dai disturbi generati da carichi aventi una componente induttiva fino a 0,5 A.

Problemi analoghi possono essere generati dalla commutazione di carichi tramite un contatto esterno in serie al contatto di uscita dello strumento come indicato in Fig. 10.

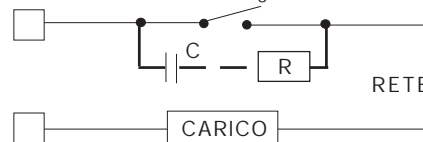


Fig. 10 CONTATTO ESTERNO IN SERIE AL CONTATTO DI USCITA DELLO STRUMENTO

In questi casi si raccomanda di collegare un filtro RC in parallelo al contatto esterno come indicato in fig. 10.

Il valore della capacità (C) e del resistore (R) sono indicati nella tabella seguente.

Carico ind. (mA)	C (µF)	R (Ω)	P. (W)	Tensione di lavoro
<40 mA	0.047	100	1/2	260 V AC
<150 mA	0.1	22	2	260 V AC
<0.5 A	0.33	47	2	260 V AC

In tutti i casi i cavi collegati con le uscite a relè devono rimanere il più lontano possibile dai cavi dei segnali.



USCITA PER SSR DRIVE

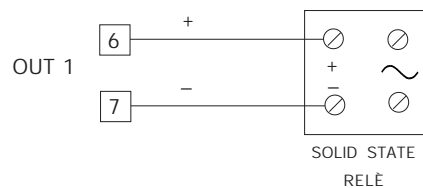


Fig. 11 COLLEGAMENTO PER SSR DRIVE

Questa è un uscita a tempo proporzionale.

Livello logico 0: $V_{out} < 0.5 \text{ V DC}$.

Livello logico 1:

- 14 V + 20 % @ 20 mA

- 24 V + 20 % @ 1 mA.

Corrente massima = 20 mA.

NOTA: Questa uscita **non** è isolata.

Un isolamento doppio o rinforzato deve essere assicurato dal relè allo stato solido esterno tra l'uscita e l'alimentazione .

INTERFACCIA SERIALE

L'interfaccia tipo RS-485 consente di collegare un massimo di 30 unità ad una sola unità master.

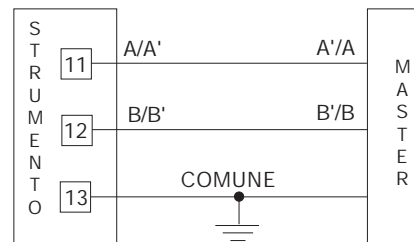


Fig. 12 - COLLEGAMENTO DELL'INTERFACCIA
I cavi di collegamento non devono superare i 1500 metri con una velocità di trasmissione pari a 9600 BAUD.

NOTE:

- 1) Questa interfaccia RS 485 è isolata.
- 2) Riportiamo di seguito la definizione data dalle norme EIA per le interfacce RS-422 e RS-485 in merito al significato ed al senso della tensione presente sui morsetti.
 - a) Il morsetto " A " del generatore deve essere negativo rispetto al morsetto " B " per stato binario 1 (MARK o OFF).
 - b) Il morsetto " A " del generatore deve essere positivo rispetto al morsetto " B " per stato binario 0 (SPACE o ON).





D) ALIMENTAZIONE

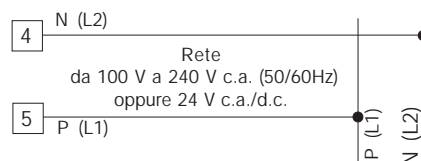


Fig. 13 COLLEGAMENTO ALL'ALIMENTAZIONE

NOTE:

- 1) Prima di collegare lo strumento alla rete, assicurarsi che la tensione di linea sia corrispondente a quanto indicato nella targa di identificazione dello strumento.
- 2) Per evitare il rischio di scosse elettriche collegare l'alimentazione solo dopo aver effettuato tutti gli altri collegamenti.
- 3) Per il collegamento alla rete, utilizzare cavi No 16 AWG o maggiori adatti per una temperatura di almeno 75 °C.
- 4) Utilizzare solo conduttori di rame.
- 5) Non posare i cavi dei segnali parallelamente o vicino a cavi di potenza o a sorgenti di disturbi.
- 6) Per l'alimentazione 24 V d.c. la polarità non ha importanza.
- 7) L'ingresso di alimentazione **NON** è protetto da fusibile; è quindi necessario prevederne uno esterno con le seguenti caratteristiche:

Alimentazione	Tipo	Corrente	Tensione
24 V AC/DC	T	500 mA	250 V
100/240 V AC	T	125 mA	250 V

Se il fusibile dovesse risultare danneggiato, è consigliabile far verificare l'intero circuito di alimentazione. Per questa ragione si consiglia di spedire l'apparecchio al fornitore.

- 8) Le normative sulla sicurezza relative ad apparecchiature collegate permanentemente all'alimentazione richiedono:
 - un interruttore o disgiuntore va compreso nell'impianto elettrico dell'edificio;
 - esso deve trovarsi in stretta vicinanza dell'apparecchio ed essere facilmente raggiungibile da parte dell'operatore;
 - Deve essere marcato come il dispositivo di interruzione dell'apparecchio.
- NOTA:** un singolo interruttore o disgiuntore può comandare più apparecchi.
- 9) Se l'alimentazione prevede il neutro, collegarlo al terminale 4.



IMPOSTAZIONI HARDWARE PRELIMINARI

- 1) Estrarre lo strumento dalla custodia.
- 2) Selezionare il tipo di ingresso desiderato impostando il ponticello J106 come indicato nella tabella seguente:

Tipo di ingresso	J106				
	1-2	3-4	5-6	7-8	9-10
TC-RTD	aperto	chiuso	aperto	aperto	aperto
60 mV	aperto	chiuso	aperto	aperto	aperto
5 V	chiuso	aperto	chiuso	aperto	aperto
10 V	aperto	aperto	chiuso	aperto	aperto
20 mA	aperto	aperto	aperto	chiuso	chiuso

NOTA : il ponticello non utilizzato puo essere posizionato sui pin 7-9.

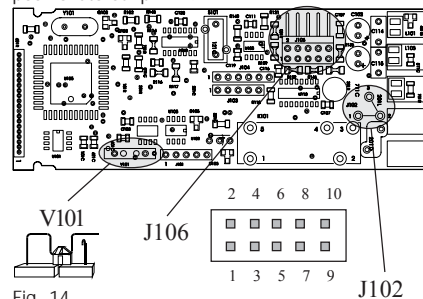


Fig. 14

- 3) Selezionare il contatto utilizzato per l'USCITA 1 impostando il ponticello a saldare J102 come indicato nella tabella seguente:

Contatto	NO (standard)	NC
J102	1 - 2	2 - 3

APERTURA DEL CIRCUITO DI INGRESSO

Questi strumenti sono in grado di rilevare l'apertura del circuito di ingresso. Per gli ingressi da RTD, l'apertura del circuito di ingresso viene visualizzata come una condizione di overrange. Per gli ingressi da TC, è possibile, invece, selezionare il tipo di indicazione (overrange è standard) modificando l'impostazione dei ponticelli CH101 ed SH101 nel modo seguente:

Overrange	CH101 = chiuso	SH101 = aperto
Underrange	CH101 = aperto	SH101 = chiuso

I ponticelli sono posizionati sul lato a saldare della scheda CPU.

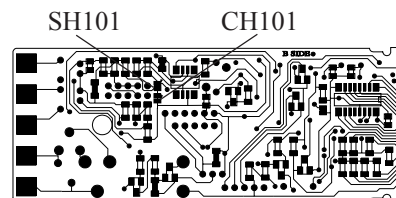


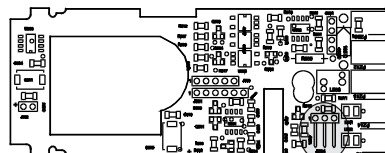
Fig. 15



SELEZIONE DELLA FUNZIONE SVOLTA DALL'INGRESSO "IN CT/ SP-SP2".

Questo strumento può utilizzare l'ingresso "IN CT/ SP - SP2" (morsetti 14 e 15) come ingresso da trasformatore amperometrico o come ingresso logico.

L'ingresso da trasformatore amperometrico, consente di misurare e di visualizzare la corrente circolante durante i periodi ON e OFF nel carico pilotato dall'uscita 1, questa caratteristica è utilizzata nella funzione "allarme di anomalia sull'uscita 1". (vedere descrizione a pag 20), mentre l'ingresso logico viene utilizzato per selezionare il set point operativo (set point principale o ausiliario).



Ingresso da trasformatore amperometrico

ingresso logico

Fig. 16

NOTE GENERALI di configurazione.

- FUNC = Consente di memorizzare il nuovo valore del parametro selezionato e passare al parametro successivo (ordine crescente).
- MAN = Consente di visualizzare i parametri in ordine decrescente senza memorizzare i nuovi valori.
- ▲ = Consente di aumentare il valore del parametro selezionato.
- ▼ = Consente di diminuire il valore del parametro selezionato.

PROCEDURE DI CONFIGURAZIONE

- 1) Estrarre lo strumento dalla custodia.
 - 2) Impostare il ponticello interno V101 in condizione aperta (vedere fig. 14).
 - 3) Re-inserire lo strumento.
 - 4) Alimentare lo strumento.
- Il display indicherà COnF.

NOTA : Se il display dovesse visualizzare "CAL", premere immediatamente il tasto ▲ e tornare alle procedure di configurazione.

- 5) Premere il tasto FUNC .

SER1 = Protocollo di comunicazione seriale

- OFF = Comunicazione seriale non utilizzata
- Ero = Polling/selecting ERO
- nbUS = Modbus
- jbUS = Jbus

SER2 = Indirizzo per la comunicazione seriale

Non disponibile quando SER1 = OFF

Campo: da 1 a 95 per il protocollo ERO.

da 1 a 255 per tutti gli altri protocolli.

NOTA: L'interfaccia seriale tipo RS 485 consente di collegare sulla stessa linea un massimo di 31 strumenti.



SEr3 = Velocità di trasmissione dei dati

Non disponibile quando SEr1 = OFF

Campo: da 600 a 19200 baud.

NOTA: i 19200 baud vengono visualizzati con 19.20.

SEr4 = Formato della comunicazione seriale

Non disponibile quando SEr1 = OFF

7E = 7 bit + bit di parità (solo protocollo ERO)

7O = 7 bit + bit di disparità (solo protocollo ERO)

8E = 8 bit + bit di parità

8O = 8 bit + bit di disparità

8 = 8 bit senza parità

P1 - Tipo di ingresso e campo di misura

0 = TC tipo L campo 0 / +400.0 °C

1 = TC tipo L campo 0 / +900 °C

2 = TC tipo J campo -100.0 / +400.0 °C

3 = TC tipo J campo -100 / +1000 °C

4 = TC tipo K campo -100.0 / +400.0 °C

5 = TC tipo K campo -100 / +1370 °C

6 = TC tipo N campo -100 / +1400 °C

7 = TC tipo R campo 0 / +1760 °C

8 = TC tipo S campo 0 / +1760 °C

9 = RTD tipo Pt 100 campo -199.9 / +400.0 °C

10 = RTD tipo Pt 100 campo -200 / +800 °C

11 = mV Lineare campo 0 / 60 mV

12 = mV Lineare campo 12 / 60 mV

13 = mA Lineare campo 0 / 20 mA

14 = mA Lineare campo 4 / 20 mA

15 = V Lineare campo 0 / 5 V

16 = V Lineare campo 1 / 5 V

17 = V Lineare campo 0 / 10 V

18 = V Lineare campo 2 / 10 V

19 = TC tipo L campo 0 / +1650 °F

20 = TC tipo J campo -150 / +1830 °F

21 = TC tipo K campo -150 / +2500 °F

22 = TC tipo N campo -150 / +2550 °F

23 = TC tipo R campo 0 / +3200 °F

24 = TC tipo S campo 0 / +3200 °F

25 = RTD tipo Pt 100 campo -199.9 / +400.0 °F

26 = RTD tipo Pt 100 campo -330 / +1470 °F

27 = TC tipo T campo -199.9 / +400.0 °C

28 = TC tipo T campo -330 / 750 °F

NOTE: impostando P1 = 0, 2, 4, 9, 25 o 27, lo strumento imposta automaticamente P36 = FLtr.

Per tutti gli altri campi P36 = nOFL.

Se si desidera una diversa impostazione, modificare il parametro P36.

P2 = Posizione punto decimale

Questo parametro è disponibile solo per gli ingressi lineari (P1 = 11, 12, 13, 14, 15, 16, 17 o 18).

----. = Nessuna cifra decimale.

---. = Una cifra decimale.

--. = Due cifre decimali.

-. = Tre cifre decimali.

P3 = Valore di inizio scala

Per gli ingressi lineari, P3 è programmabile da -1999 a 4000.

Per gli ingressi da TC e RTD P3 è programmabile all'interno del campo di ingresso.

Quando il parametro P3 viene modificato, lo strumento assegna automaticamente al parametro rL il nuovo valore di P3.

P4 = Valore di fondo scala.

Per gli ingressi lineari, P4 è programmabile da -1999 a 4000.

Per gli ingressi da TC e RTD P4 è programmabile all'interno del campo di ingresso con i limiti indicati di seguito.

Quando il parametro P4 viene modificato, lo strumento assegna automaticamente al parametro rH il nuovo valore di P4.



I valori di inizio e fondo scala vengono utilizzati dall'algoritmo PID, dalla funzione SMART e dalle funzioni allarmi per calcolare l'ampiezza del campo di lavoro.

NOTE: L'ampiezza minima del campo di lavoro ($S = P4 - P3$), in valore assoluto, deve essere pari a:

Per ingressi lineari, $S > 100$ unità.

Per ingressi da TC con indicazione °C, $S > 300$ °C.

Per ingressi da TC con indicazione °F, $S > 550$ °F.

Per ingressi da RTD con indicazione °C, $S > 100$ °C.

Per ingressi da RTD con indicazione °F, $S > 200$ °F.

P5 = Tipo di uscita 1

rEL = Relè (Il tempo di ciclo (Cy1) verrà forzato a 15 s)

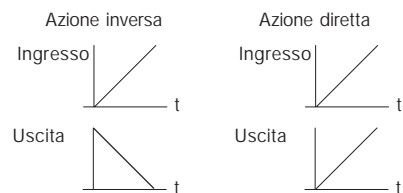
SSr = SSR (Il tempo di ciclo (Cy1) verrà forzato a 4 s)

P6 = Azione dell'uscita 1.

Questo parametro viene saltato quando $P7 = 4$.

rEV = Azione inversa (Riscaldamento)

dir = Azione diretta (Raffreddamento)



P7 = Funzione dell'uscita 2.

0 = uscita non utilizzata.

1 = uscita dell'allarme 1 con allarme 1 programmato come allarme di processo.

2 = uscita dell'allarme 1 con allarme 1 programmato come allarme di banda.

3 = uscita dell'allarme 1 con allarme 1 programmato come allarme di deviazione.

4 = seconda uscita regolante (uscita di raffreddamento).

NOTA: Se $P7 = 4$, $P6$ viene forzato alla condizione "rEV".

P8 = Fluido di raffreddamento.

Disponibile solo se $P7 = 4$.

Alr = aria.

OIL = olio.

H2O = acqua.

Modificando il valore di $P8$, il tempo di ciclo e il guadagno relativo di raffreddamento verranno forzati ad assumere il relativo valore predefinito ossia:

Se $P8 = \text{Alr}$ - $\text{Cy}2 = 10$ s ed $rC = 1.00$

$P8 = \text{OIL}$ - $\text{Cy}2 = 4$ s ed $rC = 0.80$

$P8 = \text{H}2\text{O}$ - $\text{Cy}2 = 2$ s ed $rC = 0.40$

P9 = Modo operativo dell'allarme 1

Disponibile solo se $P7$ è uguale a 1, 2 o 3.

H.A. = di massima (fuori banda) con reset automatico.

L.A. = di minima (dentro la banda) con reset automatico.

H.L. = di massima (fuori banda) con reset manuale.

L.L. = di minima (dentro la banda) con reset manuale.

P10 = Misura di corrente per l'allarme di anomalia sull'uscita 1 (vedere "funzionalità del visualizzatore" e "allarme per anomalia sull'uscita 1")

OFF = misura di corrente disabilitata.

SP2 = ingresso digitale per la selezione SP o SP2.



n.O. = Misura della corrente quando il carico è in tensione durante il periodo ON dell'uscita principale (condizione logica 1 per uscita SSR o relè eccitato).

n.C.= Misura della corrente quando il carico è in tensione durante il periodo OFF dell'uscita principale (condizione logica 0 per uscita SSR o relè diseccitato).

P11 = Campo di misura trasformatore amperometrico

Questo parametro è disponibile solo se P10 è diverso da OFF o SP2 e può essere programmato da 10 a 100 A.

P12 = Funzione dell'uscita 3

0 = Allarme 2 non utilizzato

1 = uscita dell'allarme 2 con allarme 2 programmato come allarme di processo.

2 = uscita dell'allarme 2 con allarme 2 programmato come allarme di banda.

3 = uscita dell'allarme 2 con allarme 2 programmato come allarme di deviazione.

NOTA: L'allarme di anomalia sull'uscita 1 e l'allarme 2 utilizzano entrambi l'uscita 3 (condizione OR).

P13 = Modo operativo allarme 2 e tipo di reset per l'allarme di anomalia sull'uscita 1

Disponibile se P12 è diverso da 0 o P10 è uguale ad nO o nC.

H.A. = di massima (fuori banda) con reset automatico.

L.A. = di minima (dentro la banda) con reset automatico.

H.L. = di massima (fuori banda) con reset manuale.

L.L. = di minima (dentro la banda) con reset manuale.

NOTA: L'allarme di anomalia sull'uscita 1 (vedere pag. 20) assume il tipo di reset (manuale o automatico) selezionato tramite questo parametro.

P14 = Programmabilità della soglia e dell'isteresi dell'allarme 2.

Disponibile solo se P12 è diverso da 0.

OPrt = La soglia e l'isteresi dell'allarme 2 sono modificabili durante il modo operativo.

COnF = La soglia e l'isteresi dell'allarme 2 sono modificabili durante il modo configurazione.

P15 = Soglia allarme 2

Disponibile solo se P12 è diverso da 0 e

P14= "COnF".

Campo: Per allarme di processo - all'interno del campo di ingresso

Per allarme di banda - da 0 a 500 unità.

Per allarmi di deviazione - da -500 a 500 unità

P16 = Isteresi allarme 2

Disponibile solo se P12 è diverso da 0 e

P14= "COnF".

Campo : da 0.1% a 10.0 % dell'ampiezza del campo di lavoro (P4 - P3) o 1 LSD.

P17 = Soglia della funzione SOFT START.

Soglia, in unità ingegneristiche, per l'attivazione della funzione SOFT START (limitazione

temporizzata del livello di uscita) all'accensione.

Campo: all'interno del campo di visualizzazione.

NOTA: questa soglia non avrà significato qualora il parametro tOL = InF.



P18 = Chiave di sicurezza

0 = Nessuna protezione dei parametri. Lo strumento sarà sempre in condizione non protetta e tutti i parametri saranno modificati.

1 = Lo strumento sarà sempre in condizione protetta e nessun parametro (fatta eccezione per i set point [SP/SP2] ed il reset manuale degli allarmi) potrà essere modificato (per la funzione SMART vedere P27).

da 2 a 4999 = Questo codice segreto verrà utilizzato durante il modo operativo per abilitare o disabilitare la protezione dei parametri di regolazione.

Per i set point ed il reset manuale degli allarmi la protezione dei parametri non ha alcun effetto (per la funzione SMART vedere P27).

da 5000 a 9999 = Questo codice segreto verrà utilizzato durante il modo operativo per abilitare o disabilitare la protezione dei parametri di regolazione.

Per i set point, il reset manuale degli allarmi, AL1, AL2, Hbd e SCA, la protezione dei parametri non ha alcun effetto (per la funzione SMART vedere P27).

NOTE: quando la chiave di sicurezza è selezionata, il codice segreto non viene più visualizzato, il display mostrerà 0, 1, Sft.A (per un codice segreto compreso tra 2 e 4999) o Sft.b (per un codice segreto compreso tra 5000 e 9999).

La procedura di configurazione è terminata e lo strumento visualizza " - . - . - . - . " su entrambi i display.

Per accedere ai parametri di configurazione secondari:

- 1) Utilizzando i tasti ▲ e ▼ impostare il codice 234.
- 2) Premere il tasto FUNC.

P19 = Azione dell'allarme 1

Disponibile solo se P7 è diverso da 0 o 4.

dir = Azione diretta (relè eccitato in presenza di allarme)

rEV = Azione inversa (relè diseccitato in presenza di allarme).

P20 = Mascheratura dell'allarme 1

Disponibile solo se P7 è diverso da 0 o 4.

OFF = Mascheratura disabilitata

On = Mascheratura abilitata

NOTA: Per gli allarmi di banda o di deviazione, questa funzione maschera le condizioni di allarme dopo una modifica del set point o all'accensione finché la variabile di processo non abbia raggiunto il valore di soglia. Per gli allarmi di processo, questa funzione maschera le condizioni di allarme soltanto all'accensione finché la variabile di processo non abbia raggiunto il valore di soglia.

P21 = Azione dell'allarme 2 e dell'allarme di anomalia sull'uscita 1

Disponibile se P12 è diverso da 0

oppure P10 = "n.C" o "n.O".

dir = azione diretta

rEV = Azione inversa

P22 = Mascheratura dell'allarme 2

Disponibile solo quando P12 è diverso da 0.

OFF = mascheratura disabilitata

On = mascheratura abilitata

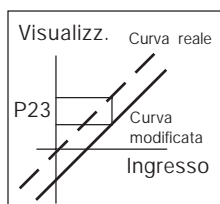
NOTA: per ulteriori dettagli sulla funzione mascheratura, vedere parametro P20



P23 = OFFSET applicato al valore misurato

Questo parametro consente di impostare un OFFSET costante su tutto il campo di misura. P23 non è disponibile per gli ingressi lineari.

- Per campi di visualizzazione con cifra decimale, P23 può essere programmato da -19.9 a 19.9.
- Per campi di visualizzazione senza cifra decimale, P23 può essere programmato da -199 a 199.



P24 = NON DISPONIBILE

P25 = Visualizzazione dei parametri protetti.

Questo parametro NON è disponibile se P18 = 0.
OFF = I parametri protetti non vengono visualizzati.
On = I parametri protetti possono essere visualizzati.

P26 = Funzionamento in modo MANUALE

OFF = Il modo MANUALE è disabilitato
On = Il modo MANUALE può essere abilitato/disabilitato tramite il tasto MAN.

P27 = Funzione SMART

0 = La funzione SMART è disabilitata.
1 = La funzione SMART non è protetta dalla chiave di sicurezza.
2 = La funzione SMART è protetta dalla chiave di sicurezza.

P28 = Guadagno relativo di raffreddamento calcolato dalla funzione SMART.

Disponibile solo se P7 = 4 e P27 è diverso da 0.
OFF = La funzione SMART non calcola il valore del parametro rC.
On = La funzione SMART calcola anche il valore del parametro rC.

P29 = Massimo valore di banda proporzionale impostabile per la funzione SMART.

Disponibile quando P27 è diverso da 0
Questo parametro è programmabile da P30 o P31 a 100.0 %.

P30 = Minimo valore di banda proporzionale impostabile per la funzione SMART quando lo strumento utilizza 2 uscite regolanti.

Disponibile solo se P7 = 4 e P27 è diverso da 0.
P30 è programmabile da 1.5% al valore di P29.

P31 = Minimo valore di banda proporzionale impostabile per la funzione SMART quando lo strumento utilizza 1 sola uscita regolante.

Disponibile solo quando P7 è diverso da 4 e P27 è diverso da 0.
P31 è programmabile da 1.0 % al valore di P29.



P32 = Valore minimo di tempo integrale impostabile per funzione SMART.

Disponibile quando P27 è diverso da 0
P32 è programmabile da 1secondo (00.01) a 2 minuti (02.00).

P33 = Stato dello strumento all'accensione.

Questo parametro non è disponibile se P26 = OFF.
0 = Lo strumento parte in modo AUTOMATICO
1 = Parte nello stesso modo in cui era prima dello spegnimento.

P34 = NON DISPONIBILE

P35 = Selezione del Timeout

Questo parametro consente di modificare la durata del time out applicato alla modifica dei parametri ed utilizzato dallo strumento durante la fase operativa.

tn 10 = 10 secondi
tn 30 = 30 secondi

P36 = Filtro digitale sul valore misurato.

P36 consente di applicare al valore misurato un filtro digitale del primo ordine avente una costante di tempo pari a:
- 4 s per ingressi da TC o RTD
- 2 s per ingressi lineari

noFL. = nessun filtro
FLtr = Filtro abilitato.

P37 = Operatività valore di sicurezza dell'uscita.

0 = Nessuna sicurezza (vedere capitolo "Messaggi di Errore")

1 = Valore di sicurezza utilizzato quando lo strumento rileva una condizione di overrange o underrange.

2 = Valore di sicurezza utilizzato quando lo strumento rileva una condizione di overrange.

3 = Valore di sicurezza utilizzato quando lo strumento rileva una condizione di underrange.

P38 = Valore di sicurezza per l'uscita regolante

P38 non è disponibile se P37 = 0.

- Da 0 a 100 % quando P7 è diverso da 4.
- Da -100 % a 100 % quando P7 è uguale a 4.

P39 = Estensione dell'anti-reset-wind up

Campo: da -30% a 30% della banda proporzionale.

NOTA: assegnando un valore positivo, aumenta il limite massimo (sopra il set point), mentre assegnando un valore negativo, abbassa il limite minimo (sotto il set point).

P40 = Tipo di azione regolante

Pid = Lo strumento utilizzerà l'algoritmo PID.

Pi = Lo strumento utilizzerà l'algoritmo PI.

P41 = Indicazione del set point

Fn.SP = durante il modo operativo, quando lo strumento esegue una rampa, il display inferiore indicherà il set point finale.

OP.SP = durante il modo operativo, quando lo strumento esegue una rampa, il display inferiore indicherà il set point operativo.



P42 = Allineamento del set point operativo all'accensione

0 = All'accensione, il set point operativo è allineato a SP/SP2 come da selezione tramite ingresso digitale.

1 = All'accensione, il set point operativo è allineato al valore misurato, il valore di set point impostato verrà raggiunto tramite la rampa programmabile (vedere parametri operativi Grd1e Grd2).

NOTA: se lo strumento rileva un fuori campo o una condizione di errore sul valore misurato, si comporterà come se P42 fosse uguale a 0.

Le procedure di configurazione sono terminate e lo strumento torna a visualizzare "CONF".





MODO OPERATIVO

- 1) Sfilare lo strumento dalla custodia.
- 2) Impostare il ponticello V101 in posizione chiusa.
- 3) Re-inserire lo strumento.
- 4) Alimentare lo strumento.

FUNZIONALITÀ DEL VISUALIZZATORE (DISPLAY)

Il display superiore visualizza il valore misurato mentre quello inferiore mostra il set point impostato, questo stato viene definito "modo normale di visualizzazione".

Nota: Quando al set point operativo è applicata una rampa (Grd1, Grd2), il valore del set point visualizzato potrebbe essere diverso da quello operativo.

Per modificare la visualizzazione del display inferiore, procedere come segue:

- Premere il tasto FUNC per un tempo compreso tra 3 e 10s. Il display inferiore indicherà " A. " seguito dal valore di corrente consumata dal carico (pilotato dall'uscita 1) quando il carico è in tensione (ON) (vedere funzione di allarme per anomalia sull'uscita 1).
 - Premere nuovamente il tasto FUNC. Il display inferiore indicherà "b" seguito dal valore di corrente di perdita sul carico (pilotato dall'uscita 1) quando il carico non è in tensione (OFF) (vedere funzione di allarme per anomalia sull'uscita 1).
 - Premere nuovamente il tasto FUNC. Il display inferiore indicherà " H. " seguito dal livello dell'uscita 1 (da 0 a 100%*).
 - Premere nuovamente il tasto FUNC. Il display inferiore indicherà "C." seguito dal livello dell'uscita 2 (da 0 a 100%*).
- * Il simbolo grafico "  " indica il 100%.
- Premendo nuovamente il tasto FUNC il display tornerà al modo normale di visualizzazione.

NOTA: Le indicazioni "A", "b", e "C" verranno visualizzate solo se la relativa funzione è stata configurata.

Se non viene premuto alcun pulsante per un tempo superiore al time out (vedere P35), il display torna automaticamente al modo normale di visualizzazione.

Per mantenere stabilmente la visualizzazione selezionata, premere il tasto ▲ o ▼.

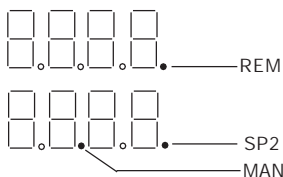
Quando si desidera ritornare al "modo normale di visualizzazione", premere il tasto FUNC.

INDICATORI

- °C Acceso quando la variabile misurata è visualizzata in gradi centigradi.
- °F Acceso quando la variabile misurata è visualizzata in gradi Fahrenheit.
- SMRT Lampeggia quando la funzione SMART esegue la prima fase di autosintonizzazione. Acceso fisso quando la funzione SMART esegue la seconda fase di autosintonizzazione
- OUT1 Acceso quando l'uscita 1 è in condizione ON.
- OUT2 Acceso quando l'uscita 2 è in condizione ON o l'allarme 1 è in condizione di allarme.
- OUT3 Acceso quando l'allarme 2 è in condizione di allarme. Lampeggia lentamente quando la funzione di "allarme di anomalia sull'uscita1" è in condizione di allarme. Lampeggia rapidamente quando sia l'allarme 2 che la funzione di "allarme di anomalia sull'uscita 1" sono in condizione di allarme.



Le altre funzioni vengono indicate dai punti decimali



REM = Lampeggia durante il funzionamento in modo REMOTO (le funzioni ed i parametri sono controllati da interfaccia seriale).

SP2 = - Se lampeggia lentamente, lo strumento sta utilizzando il set point 2.
- Se lampeggia velocemente, il set point in uso proviene da interfaccia seriale.

MAN= Lampeggia durante il funzionamento in modo MANUALE.

Operatività dei tasti durante il modo operativo.

- FUNC = quando lo strumento è in "modo normale di visualizzazione"
- 1) una breve pressione (<3s) consente l'inizio delle procedure di modifica dei parametri.
 - 2) una pressione compresa tra 3 e 10 secondi permette di modificare la visualizzazione del display inferiore (vedere "Funzionalità del visualizzatore").
 - 3) una pressione maggiore di 10s permette di abilitare il test del display (vedere paragrafo "Lamp Test").
- Durante la procedura di modifica dei parametri, consente di memorizzare il nuovo valore del parametro

selezionato e passare al parametro successivo (ordine crescente).

MAN = Se premuto per più di 1 s, consente di abilitare/disabilitare la funzione manuale (nel "modo normale di visualizzazione").

Durante la modifica dei parametri consente di tornare al parametro precedente senza memorizzare il nuovo valore del parametro attuale.

▲ = Consente di aumentare il valore del parametro selezionato.

Consente di aumentare il valore dell'uscita durante il modo MANUALE.

▼ = Consente di ridurre il valore del parametro selezionato.

Consente di diminuire il valore dell'uscita durante il modo MANUALE.

▲+FUNC = Se lo strumento è in "modo normale di visualizzazione", consentono di abilitare o disabilitare l'uscita di regolazione.

▲+MAN = durante la modifica dei parametri consente il salto immediato al massimo valore programmabile.

▼+MAN = durante la modifica dei parametri consente il salto immediato al minimo valore programmabile..

NOTA: Un time out di 10 o 30 secondi (vedere P 36) è applicato alla modifica dei parametri durante il modo operativo.

Se, durante la modifica di un parametro, non viene premuto alcun pulsante per un periodo superiore al time out, lo strumento torna automaticamente al modo normale di visualizzazione perdendo l'eventuale nuovo valore del parametro attualmente selezionato.



ABILITAZIONE/DISABILITAZIONE DELL'USCITA REGOLANTE

Quando lo strumento è in modo normale di visualizzazione, tenendo premuto per più di 5 secondi i tasti ▲ e FUNC, è possibile inibire l'uscita regolante.

In questo modo lo strumento opera come un semplice indicatore. Il display inferiore visualizza "OFF" e tutte le uscite regolanti andranno ad OFF.

Quando le uscite regolanti sono disabilite anche gli allarmi risultano in condizione di assenza di allarme.

Lo stato delle uscite di allarme dipende dalla configurazione dello strumento (vedere P19-P21). Per riattivare la normale operatività dello strumento premere per più di 5 secondi i tasti ▲ e FUNC. La mascheratura degli allarmi, se programmata, risulterà attiva.

Se si dovesse verificare una caduta di tensione mentre l'uscita regolante è inibita, alla riaccensione lo strumento inibirà automaticamente le uscite regolanti.

SELEZIONE SET POINT OPERATIVO

La selezione tra set point principale o ausiliario è possibile solo tramite contatto esterno (morsetti 14 e 15).

Questa funzione esclude la funzione di allarme di anomalia sull'uscita 1.

Tramite il parametro P41, è possibile selezionare il tipo di set point (finale o operativo) che verrà visualizzato durante l'esecuzione di una rampa.

ALLARME DI ANOMALIA SULL'USCITA 1

Questo strumento è in grado di misurare e di visualizzare :

- la corrente circolante nel carico (pilotato dall'uscita 1) quando il carico è sotto tensione;
- la corrente di perdita circolante nel carico (pilotato dall'uscita 1) , quando il carico non è in tensione.

Se il parametro P10 è stato configurato correttamente, lo strumento genera una segnalazione di allarme quando:

- la corrente circolante nel carico risulta inferiore alla soglia impostata nel parametro "Hbd" (possibile rottura parziale o totale del carico, possibile rottura dell'attuatore o si è verificata una caduta di tensione dovuta all'intervento di un dispositivo di protezione);
- la corrente di perdita risulta superiore alla soglia impostata nel parametro "SCA" (possibile corto circuito dell'attuatore).

Per la visualizzazione della misura vedere il paragrafo "Funzionalità del visualizzatore".

La condizione di errore viene segnalata dal lampeggio del LED "OUT3" e dal relè dell'uscita3.

Se il periodo ON o OFF del tempo di ciclo del carico è inferiore a 400 ms, la misura in corrente non verrà eseguita, il display, lampeggiando, visualizzerà l'ultima misura di corrente effettuata.

MODIFICA DIRETTA DEL SET POINT

Quando lo strumento è in modo AUTO ed in "modo normale di visualizzazione", è possibile modificare direttamente il set point di lavoro (SP o SP2) senza dover scorrere i parametri.

Tenendo premuto il tasto ▲ o ▼ per un periodo superiore a 2 s, il set point visualizzato incomincerà a variare. Il nuovo valore diventerà operativo 2 secondi dopo l'ultima pressione dei tasti.



FUNZIONAMENTO IN MODO MANUALE



Il funzionamento in modo manuale può essere attivato (solo se abilitato tramite P26=On) tramite la pressione del tasto "MAN " per un periodo superiore ad 1 secondo.

Il comando sarà accettato ed eseguito solo se lo strumento è in modo normale di visualizzazione.

Quando lo strumento è in modo manuale, il LED "MAN" risulta lampeggiante (punto decimale a destra della seconda cifra del display inferiore) ed il display inferiore indica il livello di uscita in percentuale.

Le due cifre più significative indicano il livello dell'uscita 1 mentre le due cifre meno significative indicano il livello dell'uscita 2 (se presente).

Il punto decimale situato tra i 2 valori risulterà lampeggiante.

Nota: il simbolo grafico "  " indica OUT1 = 100
il simbolo grafico "  " indica OUT2 = 100

E' possibile modificare il livello di uscita utilizzando i tasti "▲" e "▼" .

Premendo nuovamente il tasto "MAN" lo strumento torna in modo AUTOMATICO.

Il passaggio da AUTOMATICO a MANUALE e viceversa è di tipo senza scosse (questa funzione non è disponibile quando l'azione integrale è esclusa).

Se il trasferimento da AUTO a MANUALE avviene durante la prima fase dell'algoritmo SMART, quando lo strumento ritorna in modo AUTO, la funzione SMART ripartirà dalla seconda fase (ADAPTIVE).

All'accensione lo strumento si predispose automaticamente in modo AUTO oppure nel modo in cui era prima dello spegnimento, come da condizione del parametro P33.

Nota: Quando lo strumento parte in modo manuale, la potenza di uscita (OUT1 - OUT2) è forzata a 0.

INTERFACCIA SERIALE

Questo strumento può essere collegato ad un host computer tramite interfaccia seriale.

Il computer può impostare lo strumento in modo LOCALE (le funzioni ed i parametri sono modificabili da tastiera) o in modo REMOTO (solo il computer può modificare le funzioni ed i parametri).

Lo stato REMOTO viene segnalato dal lampeggio di un LED rosso (punto decimale a destra della cifra meno significativa del display superiore) avente la scritta REM.

Questi strumenti consentono, tramite interfaccia seriale, la modifica dei parametri operativi e di quelli di configurazione.

Le condizioni necessarie per utilizzare questa funzione sono:

- 1) I parametri seriali da SER1 a SER4 devono essere impostati correttamente.
- 2) Lo strumento deve essere in modo operativo. Durante il caricamento dei parametri, lo strumento non esegue la regolazione e forza le uscite regolanti a 0.

Alla fine della procedura di configurazione, lo strumento riprende automaticamente la regolazione ad anello chiuso utilizzando le nuove impostazioni.



LAMP TEST

Quando si desidera verificare il corretto funzionamento del visualizzatore, premendo il tasto FUNC per un tempo maggiore di 10 s, lo strumento accenderà tutti i LED del visualizzatore con un duty cycle pari al 50%.

Il LAMP TEST non è sottoposto a time out.

Quando si desidera tornare al modo normale di visualizzazione, premere nuovamente il tasto FUNC.

Durante il LAMP TEST lo strumento mantiene la sua normale operatività, ma la tastiera consente solo la disattivazione del test.

Funzione SMART

Consente di ottimizzare automaticamente l'azione regolante.

Per abilitare la funzione SMART, premere il tasto FUNC e visualizzare il parametro Snrt.

Tramite i tasti ▲ o ▼ visualizzare la condizione On sul display superiore, premere successivamente il tasto FUNC.

Il LED SMRT si accenderà a luce fissa o lampeggiante a secondo della fase di auto-sintonizzazione selezionata dallo strumento.

Quando la funzione SMART è abilitata, è possibile visualizzare i parametri di controllo ma non modificarli.

Per disabilitare la funzione SMART, selezionare il parametro Snrt ed impostare OFF sul display superiore; premere il tasto FUNC.

Lo strumento manterrà i valori attuali dei parametri di regolazione e abiliterà la modifica dei parametri stessi.

- NOTE :**
- 1) Impostando la regolazione di tipo ON/OFF (Pb =0) la funzione SMART risulterà disabilitata.
 - 2) L'abilitazione/disabilitazione della funzione SMART può essere protetta dalla chiave di sicurezza (vedere parametro P27).





PARAMETRI OPERATIVI

Premere il tasto FUNC, il display inferiore visualizzerà il codice mentre quello superiore visualizzerà il valore del parametro selezionato. Tramite i tasti ▲ e ▼ è possibile impostare il valore o lo stato desiderato. Premendo il tasto FUNC lo strumento memorizzerà il nuovo valore (o il nuovo stato) e passerà alla visualizzazione del parametro successivo. Alcuni dei parametri seguenti potrebbero non venire visualizzati in funzione della configurazione dello strumento.

Param. Descrizione

SP	Set point (in unità ing.). Campo: da rL a rH. SP è operativo quando l'ingresso logico SP/SP2 è aperto.
Snrt	Stato della funzione SMART. Le indicazioni On o OFF indicano lo stato attuale della funzione SMART (abilitata o disabilitata rispettivamente). Impostare On per abilitare lo SMART. Impostare OFF per disabilitare lo SMART.
n.rSt	Riarmo manuale degli allarmi. Questo parametro non viene visualizzato se nessuno degli allarmi è programmato con riarmo manuale. Impostare On e premere FUNC per riarmare gli allarmi.
SP2	Set point 2 (in unità ing.). Campo: da rL a rH. SP2 è operativo quando l'ingresso logico SP/SP2 è chiuso.
nnn	Chiave di protezione dei parametri. nnn viene saltato se P18 = 0 o 1. On= La protezione dei parametri è attiva.

OFF= La protezione dei parametri è inattiva.
Quando si desidera disattivare la protezione dei parametri, impostare un valore uguale al valore assegnato a P18.
Quando si desidera riattivare la protezione dei parametri, impostare un valore differente dal valore assegnato al parametro P18.

AL1	Soglia Allarme 1 AL1 è disponibile solo se P 7 è uguale a 1, 2 o 3. Campi: - all'interno del campo di misura per allarme di processo. - da 0 a 500 unità per allarmi di banda. - da -500 a 500 unità per allarmi di deviazione.
HSA1	Isteresi allarme 1 Questo parametro è disponibile solo se P7 è uguale a 1,2 o 3. Campo: da 0.1% a 10.0% dell'ampiezza del campo di ingresso o 1 LSD. Nota: Se l'isteresi di un allarme di banda risulta più grande della banda impostata, lo strumento utilizzerà un valore di isteresi pari al valore di banda meno 1 digit.
AL2	Soglia dell'allarme 2 Questo parametro viene visualizzato se P12 è uguale ad 1, 2 o 3 e P14 = OPrt. Per altri dettagli vedere il parametro AL1.
HSA2	Isteresi allarme 2 Questo parametro viene visualizzato se P12 è uguale ad 1, 2 o 3 e P14 = OPrt. Per altri dettagli vedere il parametro HSA1.
Pb	Banda proporzionale Campo: - da 1.0% a 100.0% del campo di ingresso con una uscita regolante.



- da 1.5% a 100.0% del campo di ingresso con due uscite regolanti. Quando Pb è pari a 0, l'azione di controllo diventa di tipo ON/OFF.
Nota: Quando lo strumento utilizza la funzione SMART, Pb assumerà valori compresi tra P29 e P30 o P31.

HyS Isteresi dell'azione ON/OFF
 Questo parametro è disponibile solo quando Pb = 0.
 Campo: da 0.1% a 10.0% dell'ampiezza del campo di ingresso.

ti Tempo integrale
 Questo parametro viene saltato quando Pb = 0 (azione ON/OFF).
 Campo: da 00.01 a 20.00 [mm.ss]. Oltre questo valore il display si oscura e l'azione integrale risulta esclusa.

td Tempo dell'azione derivativa
 Questo parametro viene saltato quando Pb = 0 (azione ON/OFF) oppure P40=Pi.
 Campo: da 00.00 a 10.00 [minuti.secondi].

IP Precarica dell'azione integrale
 Questo parametro viene saltato quando Pb = 0 (azione ON/OFF).
 Con una uscita regolante, IP è programmabile da 0 a 100 %.
 Con due uscite regolanti, IP è programmabile da -100 % (100 % raffredd.) a 100 % (100 % riscald.).

Cy1 Tempo di ciclo uscita 1
 Campo: da 1 a 200 s.

Cy2 Tempo di ciclo uscita 2
 Questo parametro è disponibile solo quando P 7 è uguale a 4.
 Campo: da 1 a 200 s.

rC Guadagno relativo di raffreddamento
 Questo parametro è disponibile solo se lo strumento è configurato con 2 uscite regolanti e Pb è diversa da zero.
 Campo: da 0.20 a 1.00.

OLAP Sovrapposizione/banda morta tra riscaldamento e raffreddamento
 Questo parametro è disponibile solo se lo strumento è configurato con 2 uscite regolanti e Pb è diversa da zero.
 Campo: da -20 a 50 % del valore di Pb. Un valore negativo indica una banda morta mentre un valore positivo indica una sovrapposizione.

rL Limite inferiore del set point
 Campo: dal valore di inizio scala a rH.
Nota: Quando P3 viene modificato, rL assumerà il valore di P3.

rH Limite superiore del set point
 Campo: da rL al valore di fondo scala (P4)
Nota: Quando P4 viene modificato, rH assumerà il valore di P4.

Grd1 Rampa di incremento del set point
 Campo: da 1 a 100 digits/minuto. Superato questo valore il display indicherà "inf" ed il trasferimento risulterà a gradino.





Grd2 **Rampa di decremento del set point**

Per altri dettagli vedere il parametro Grd1

OLH **Limite massimo dell'uscita regolante**

Campo:

- da 0.0 a 100.0 % quando lo strumento utilizza una uscita regolante.

- da -100.0 a 100.0 % quando lo strumento utilizza due uscite regolanti.

tOL **Durata della limitazione della potenza di uscita (Soft Start)**

Campo: da 1 a 540 minuti. Oltre questo valore il display indicherà "InF" e la limitazione sarà sempre attiva.

Nota: tOL può essere modificato in qualsiasi momento ma il nuovo valore diventerà operativo solo alla successiva accensione dello strumento.

Hbd **Valore di soglia per l'indicazione della corrente consumata dal carico pilotato tramite l'uscita 1**

Questo parametro è disponibile solo quando P10 è uguale a n.O. o n.C.
Campo: da 0 al valore di P11 (in Ampere).

Nota:

la risoluzione di questa funzione sarà pari a 0.1 A per i campi fino a 20 A e 1 A per tutti gli altri campi.

L'isteresi di questo allarme è pari a 1%.

SCA **Valore di soglia per l'indicazione della corrente di perdita circolante nel carico pilotato tramite l'uscita 1**

Questo parametro è disponibile solo quando P10 è uguale a n.O. o n.C.
Campo: da 0 al valore di P11.

la risoluzione di questa funzione sarà pari a 0.1 A per i campi fino a 20 A e 1 A per tutti gli altri campi.

L'isteresi di questo allarme è pari a 1%.

rnP **Massima velocità di variazione dell'uscita regolante.**

Questo parametro è disponibile solo quando Pb è diverso da 0 (azione ON/OFF).

Campo: da 1% a 25% dell'ampiezza dell'uscita per secondo.

Oltre il 25%/s, il display indica "InF" e la limitazione è disabilitata.



MESSAGGI DI ERRORE

INDICAZIONI DI FUORI CAMPO E/O ROTTURE DEL SENSORE.

Questi strumenti sono in grado di rilevare il fuori campo e la rottura del sensore.

Quando la variabile supera i limiti di campo prefissati tramite il parametro P1, lo strumento segnalerà questa condizione di overrange visualizzando sul display superiore l'indicazione seguente.



Una condizione di UNDERRANGE (segnale inferiore al valore di inizio scala) verrà visualizzata con la seguente indicazione grafica:



Se P37 è uguale a 0, si verificherà una delle seguenti condizioni:

- Se lo strumento è programmato per utilizzare una sola uscita regolante ed ha rilevato una condizione di OVERRANGE, l'uscita viene forzata a zero (per azione inversa) oppure a 100% (per azione diretta).
- Se lo strumento è programmato per utilizzare due uscite regolanti ed ha rilevato una condizione di OVERRANGE, l'uscita "rEv" viene forzata a zero mentre l'uscita "dir" viene forzata a 100%.
- Se lo strumento è programmato per utilizzare una sola uscita regolante ed ha rilevato una condizione di UNDERRANGE, l'uscita viene forzata a 100% (per azione inversa) oppure a zero (per azione diretta).

- Se lo strumento è programmato per utilizzare due uscite regolanti ed ha rilevato una condizione di UNDERRANGE, l'uscita "rEv" viene forzata a 100% mentre l'uscita "dir" viene forzata a zero.

Quando P37 è diverso da zero e viene rilevata una condizione di fuori campo, lo strumento si comporterà in funzione dell'impostazione dei parametri P37 e P38.

La rottura del sensore viene segnalata come segue:

- ingresso TC/mV : OVERRANGE o UNDERRANGE selezionabile tramite ponticello
- ingresso RTD : OVERRANGE
- ingresso mA/V : UNDERRANGE

NOTA: per gli ingressi lineari, è possibile rilevare la rottura del sensore solo per gli ingressi 4-20 mA, 1-5 V o 2-10 V).

Per l'ingresso RTD, lo strumento segnala una condizione di OVERRANGE quando la resistenza di ingresso risulta inferiore a 15 ohm (rilevazione del cortocircuito del sensore).

MESSAGGI DI ERRORE

Lo strumento è fornito di algoritmi di auto-diagnostica.

Quando viene rilevato un errore, lo strumento visualizza sul display inferiore la scritta "Err" mentre sul display superiore viene visualizzato il codice dell'errore rilevato.



LISTA DEGLI ERRORI POSSIBILI

SEr	Errore nei parametri relativi all'interfaccia seriale
100	Errore di scrittura delle EEPROM.
150	Errore generico nella CPU.
200	Tentativo di scrittura su memorie protette
201 - 2xx	Errore nei parametri di configurazione. Le due cifre meno significative indicano il numero del parametro errato (es. 209 Err indica errore del parametro P9).
301	Errore di calibrazione ingresso RTD
305	Errore di calibrazione ingresso TC/mV
307	Errore di calibrazione ingresso RJ
310	Errore di calibrazione ingresso TA
311	Errore di calibrazione ingresso 20 mA
312	Errore di calibrazione ingresso 5 V
313	Errore di calibrazione ingresso 10 V
400	Errore nei parametri di controllo
500	Errore di Auto-zero
502	Errore di RJ
510	Errore durante la procedura di calibrazione

NOTE

- 1) Quando lo strumento rileva un errore nei parametri di configurazione, è sufficiente ripetere la configurazione del parametro specifico.
- 2) Se viene rilevato l'errore 400, premere contemporaneamente i pulsanti ▼ e ▲ per caricare i parametri predefiniti; poi ripetere l'impostazione dei parametri di controllo.
- 3) Per tutti gli altri errori contattare il fornitore.



CARATTERISTICHE TECNICHE

SPECIFICHE TECNICHE

Custodia: Policarbonato di colore grigio (RAL 7043); grado di auto-estinguenza: V-0 secondo UL 94.

Protezione frontale- Il prodotto è stato progettato per garantire una protezione IP 65 (*) e NEMA 4X per uso in luogo coperto.

(* le verifiche sono state eseguite in accordo gli standard CEI 70-1 e NEMA 250-1991.

Installazione: Montaggio a pannello

Morsettiere posteriore: 15 terminali a vite (vite M3 per cavi da ϕ 0.25 a ϕ 2.5 mm² o da AWG 22 a AWG 14) con diagrammi di collegamento e copri morsettiere di sicurezza.

Dimensioni: secondo DIN 43700 48 x 48 mm, profondità 122 mm.

Peso: 250 g.

Alimentazione:

- da 100V a 240V c.a. 50/60Hz (-15% a + 10% del valore nominale).

- 24 V c.c./c.a. (+ 10 % del valore nominale).

Autoconsumo: 8 VA max.

Resistenza di isolamento: > 100 M Ω secondo IEC 1010-1.

Rigidità dielettrica: 1500 V rms secondo IEC 1010-1.

Tempo di aggiornamento del display: 500 ms.

Intervallo di campionamento:

- 250 ms per ingressi lineari

- 500 ms per ingressi da TC o RTD.

Risoluzione: 30000 conteggi.

Precisione: + 0,2% v.f.s. + 1 digit @ 25 °C di temperatura ambiente.

Relezione di modo comune: 120 dB a 50/60 Hz.

Relezione di modo normale: 60 dB a 50/60 Hz.

Compatibilità elettromagnetica e

normative di sicurezza: Questo strumento è marcato CE e pertanto è conforme alle direttive

89/336/EEC per la compatibilità elettromagnetica ed alle direttive 73/23/EEC e 93/68/EEC per la sicurezza elettrica.

Categoria di installazione: II

Deriva termica: (CJ esclusa)

< 200 ppm/°C dell'ampiezza del campo per ingressi mV e TC campi 1, 3, 5, 6, 19, 20, 21, 22.

< 300 ppm/°C dell'ampiezza del campo per ingressi mA/V

< 400 ppm/°C dell'ampiezza del campo per ingressi RTD campi 10, 26 e TC campi 0, 2, 4, 27, 28.

< 500 ppm/°C dell'ampiezza del campo per ingressi RTD campo 9 e TC campi 7, 8, 23, 24.

< 800 ppm/°C dell'ampiezza del campo per ingressi RTD campo 25.

Temperatura di funzionamento: da 0 a 50 °C.

Temperatura di immagazzinamento: -20 a +70 °C

Umidità: da 20 % a 85% RH, senza condensa.

Altitudine: questo prodotto non è adatto per uso oltre i 2000m (6562ft)

Protezioni:

1) WATCH DOG circuito per il restart automatico.

2) DIP SWITCH per la protezione dei parametri di configurazione e calibrazione.

INGRESSI

A) TERMOCOPPIE

Tipo: L -J -K -N -R -S -T. °C/°F selezionabile.

Resistenza esterna: max. 100 Ω , con errore massimo pari a 0,1% dell'ampiezza del campo selezionato.

Burn out: segnalata come condizione di overrange (standard). Tramite ponticelli è possibile selezionare la condizione di underrange.

Giunto freddo: compensazione automatica da 0 a 50 °C.

Precisione giunto freddo: 0.1 °C/°C

Impedenza di ingresso: > 1 M Ω



Calibrazione: secondo IEC 584-1 e DIN 43710 - 1977.

TABELLA SCALE STANDARD

T/C tipo	Scale		
L 0	0 / + 400,0°C		---
L 1	0 / + 900 °C	19	0 / + 1650°F
J 2	-100,0/+ 400,0°C		---
J 3	-100 / + 1000 °C	20	-150/ + 1830°F
K 4	-100,0/+ 400,0°C		---
K 5	-100 / + 1370°C	21	-150/ + 2500°F
N 6	-100 / + 1400°C	22	-150/ + 2550°F
R 7	0 / + 1760°C	23	0 / + 3200°F
S 8	0 / + 1760°C	24	0 / + 3200°F
T 27	-199,9/+ 400,0°C	28	-330 / + 750 °F

B) RTD (Resistance Temperature Detector)

Tipo: Pt 100 a 3 fili.

Corrente: 135 µA.

Selezione °C/°F: da tastiera o interfaccia seriale.

Resistenza di linea: Compensazione automatica fino a 20 Ω/filo con errore non misurabile.

Calibrazione: secondo DIN 43760

Burn-out: a fondo scala. **NOTA:** Uno speciale controllo produce una segnalazione di OVERRANGE quando la resistenza di ingresso è inferiore a 15 Ω.

TABELLA SCALE STANDARD

Tipo di ingresso	Scale	
RTD Pt 100 Ω DIN 43760	9	- 199,9 / + 400,0 °C
	10	- 200 / + 800 °C
	25	-199,9 / +400,0 °F
	26	-330 / + 1470 °F

C) INGRESSO LINEARE

Visualizzazione: programmabile da tastiera da -1999 a +4000.

Punto decimale: programmabile in ogni posizione.
Burn out: Lo strumento visualizza le condizioni di burn-out come una condizione di underrange per le portate 4-20 mA, 1-5 V e 2-10 V.

Lo strumento visualizza le condizioni di burn-out come una condizioni di overrange per le portate 0-60 mV, 12-60mV.

Nessuna indicazione è prevista per le portate 0-20 mA, 0-5 V e 0-10 V.

Tipo di ingresso	Impedenza	precisione
11	0 - 60 mV	> 1 MΩ
12	12 - 60 mV	
13	0 - 20 mA	< 5 Ω
14	4 - 20 mA	
15	0 - 5 V	> 200 kΩ
16	1 - 5 V	
17	0 - 10 V	> 400 kΩ
18	2 - 10 V	

0.2 % + 1 digit
@ 25°C

D) INGRESSO LOGICO

Lo strumento è provvisto di un ingresso logico da contatto utilizzato per selezionare il set point operativo.

Contatto aperto = SP

Contatto chiuso = SP2

NOTE

- 1) Utilizzare contatti esterni con portata migliore di 0.5 mA, 5 V DC.
- 2) Lo strumento abbisogna 100 ms per riconoscere la variazione di stato del contatto.
- 3) Gli ingressi logici **NON** sono isolati rispetto all'ingresso di misura.
- 4) Questa funzione opera in alternativa all'ingresso da trasformatore amperometrico.



E) INGRESSO DA TRASFORMATORE AMPEROMETRICO

Gli strumenti equipaggiati di questa funzione, sono in grado, tramite trasformatore amperometrico, di segnalare tramite allarme, eventuali anomalie sul carico pilotato dall'uscita 1 (vedere "Allarme di anomalia sull'uscita1").

Categoria di misura : CAT III

Corrente di ingresso : 50 mA c.a.

Visualizzazione : programmabile da 10 A a 100 A.

Risoluzione :

- per la portata fino a 20 A : 0.1 A.

- Per le altre portate : 1 A.

Minima durata del periodo (ON o OFF) di esecuzione della misura: 400 ms.

NOTE:

- questa funzione esclude l'ingresso logico.

- Il trasformatore di corrente deve essere conforme alla norma EN 60950 relativamente alle distanze.

SET POINT

Questo strumento consente di utilizzare 2 set point (SP, SP2).

La selezione del set point operativo può essere eseguita solo tramite ingresso logico.

Passaggio tra set point:

Il passaggio da un set point ad un'altro (o tra due differenti valori dello stesso set point) può avvenire a gradino o tramite due differenti rampe (rampa per valori crescenti o decrescenti).

Velocità di variazione: da 1 a 100 unità/ minuto.

Limitatori del set point: parametri RLO e RHI .

AZIONI DI CONTROLLO

Azione regolante: PID + SMART

Tipo: uno (riscaldamento o raffreddamento) o due (riscaldamento e raffreddamento) uscite regolanti.

Banda proporzionale (Pb):

Campo: - da 1.0 a 100.0 % del campo di ingresso per processi con una uscita regolante.

- da 1.5 a 100.0 % del campo di ingresso per processi con due uscite regolanti.

Se Pb=0, l'azione di controllo diventa ON/OFF.

Isteresi (per controllo ON/OFF): da 0.1 % a 10.0 % dell'ampiezza del campo di ingresso.

Tempo integrale: da 1" a 20' oppure escluso.

Tempo derivativa: da 0 a 10' oppure esclusa.

Precarica dell'integrale:

- da 0 a 100 % per un'uscita regolante.

- da -100 a 100% per due uscite regolanti .

Funzione SMART: abilitabile/disabilitabile da tastiera.

Modo Auto/Manuale: selezionabile da tastiera.

Passaggio Auto/Manuale: senza scosse

Indicatore "MAN": spento in modo auto, acceso in modo manuale.

USCITE

Tempo di aggiornamento dell'uscita regolante:

- 250 ms se è stato selezionato un ingresso lineare

- 500 ms se è stato selezionato un ingresso da TC o RTD.

Azione: diretta o inversa programmabile.

Indicazione del livello di uscita

Lo strumento indica separatamente i valori delle uscite di riscaldamento e raffreddamento.





Indicazione dello stato delle uscite: 3 LED (OUT 1, OUT 2 e OUT 3) sono accesi quando la rispettiva uscita è in condizione ON.

Limitazione della potenza di uscita

- Per una uscita regolante: da 0.0 a 100.0 %
- per due uscite regolanti: da -100.0 a +100.0%
Questa funzione può attivarsi automaticamente all'accensione dello strumento e rimanere attiva per un tempo programmato (onde evitare shock termici o produrre il preriscaldamento dell'impianto).

Tempo di ciclo:

- per l'uscita 1- programmabile da 1 a 200 secondi
- per l'uscita 2- programmabile da 1 a 200 secondi

Guadagno relativo di raffreddamento:
programmabile da 0.20 a 1.00.

Sovrapposizione/banda morta:

programmabile da -20 % a + 50 % della banda proporzionale.

USCITA 1

Tipo: relè con contatto SPDT (NO o NC selezionabile tramite ponticello)

Portata contatto: 3 A a 250 V AC su carico resistivo.

Funzione: uscita regolante (riscald. o raffredd.)

Tempo di ciclo : programmabile da 1 s a 200 s.

USCITA 2

Tipo: relè con contatto SPST

Portata contatto: 2 A a 250 V AC su carico resistivo.

Funzione: programmabile come segue:
uscita regolante (raffredd.)
- uscita allarme 1.

Tempo di ciclo (se utilizzata come uscita regolante): programmabile da 1 s a 200 s.

USCITA 3

Tipo: relè con contatto SPST.

Portata contatto: 2 A a 250 V AC su carico resistivo.

Funzione: uscita allarme 2.

ALLARMI

Azione: diretta o inversa programmabile

Funzione dell'allarme: ogni allarme può essere programmato come allarme di processo, di banda o di deviazione.

Riarmo degli allarmi: automatico o manuale programmabile singolarmente.

Mascheratura allarme: Ogni allarme può essere programmato come allarme con o senza mascheratura.

Questa funzione consente di evitare false indicazioni di allarme all'accensione o dopo una modifica del set point.

Allarmi di processo:

Modo operativo: di massima o di minima.

Soglia: programmabile in unità ingegneristiche all'interno del campo di ingresso.

Isteresi: programmabile da 0.1 % a 10.0 % dell'ampiezza del campo di ingresso (P4 - P3).

Allarme di banda

Modo operativo: dentro o fuori banda.

Soglia: programmabile da 0 a 500 unità.

Isteresi: programmabile da 0.1 % a 10.0 % dell'ampiezza del campo di ingresso (P4 - P3).



Allarmi di deviazione

Modo operativo: sotto o sopra il valore programmato.

Soglia: programmabile da - 500 a +500 unità.

Isteresi: programmabile da 0.1 % a 10.0 % dell'ampiezza del campo di ingresso.

INTERFACCIA DI COMUNICAZIONE SERIALE

Tipo: RS-485 isolata.

Protocolli: MODBUS, JBUS, ERO polling/selecting.

Velocità di comunicazione: programmabile da 600 a 19200 BAUD.

Formato: 7 o 8 bit programmabile.

Parità: pari, dispari o nessuna.

Bit di stop: uno.

Indirizzi:

- da 1 a 95 per il protocollo ERO.
- da 1 a 255 per gli altri protocolli

Livelli di uscita: secondo standard EIA.

MANUTENZIONE

- 1) TOGLIERE TENSIONE ALL'APPARECCHIO (alimentazione, uscite a relè, ecc),
- 2) Sfilare lo strumento dalla custodia
- 3) Facendo uso di un aspiratore o un getto di aria compressa a bassa pressione (max. 3 kg/cm²) rimuovere eventuali depositi di polvere e sporizia dalle feritoie di ventilazione e dai circuiti facendo attenzione a non danneggiare i componenti.
- 4) Per pulire le parti esterne in plastica o gomma usare solamente uno straccio pulito ed inumidito con:
 - alcool etilico (puro o denaturato) [C₂H₅OH]
 - alcool isopropilico (puro o denaturato) [(CH₃)₂CHOH]
 - Acqua (H₂O)
- 5) Controllare che non vi siano morsetti allentati
- 6) Prima di reinserire lo strumento nella sua custodia assicurarsi che l'apparecchio sia perfettamente asciutto.
- 7) Reinserire l'apparecchio e ridare tensione.



DEFAULT PARAMETERS

DEFAULT OPERATIVE PARAMETERS

The control parameters can be loaded with predetermined default values. These data are the typical values loaded in the instrument prior to shipment from factory. To load the default values proceed as follows:

- The internal switch (V101, see fig. 14) should be closed.
- The SMART function should be disabled.
- The instrument should be in Stand-by mode.
- Held down ▼ pushbutton and press ▲ pushbutton; the display will show:

OFF
dFLt

- Press ▲ or ▼ pushbutton; the display will show:

On
dFLt

- Press FUNC pushbutton; the display will show:

LOAD

It means that the loading procedure has been initiated.

After about 3 seconds the loading procedure is finished and the instrument reverts to NORMAL DISPLAY mode.

The following is a list of the default operative parameters loaded during the above procedure:

PARAMETER	DEFAULT VALUE
SP	= Minimum range-value
SnRT	= Disable
n.RSt	= OFF
SP2	= Minimum range value
nnn	= OFF
AL1, AL2	= Minimum range-value for process alarms 0 for deviation or band alarms
HSA1, HSA2	= 0.1 %
Pb	= 4.0 %
hyS	= 0.5 %
ti	= 4.00 (4 minutes)
td	= 1.00 (1 minute)
IP	= 30 %
Cy1	= 15 seconds for relay output 4 seconds for SSR output
Cy2	= 10 seconds for P8 = Alr 4 seconds for P8 = OIL 2 seconds for P8 = H2O
rC	= 1.00 for P8 = Alr 0.80 for P8 = OIL 0.40 for P8 = H2O
OLAP	= 0
rL	= Initial scale value
rH	= Full scale value
Grd 1	= Infinite (step transfer)
Grd 2	= Infinite (step transfer)
OLH	= 100 %
tOL	= Infinite
Hbd	= 50 % of the full scale value.
SCA	= 100 % of the full scale value.
rnP	= 25 % of the output per second.

A. 1



DEFAULT CONFIGURATION PARAMETERS

The configuration parameters can be loaded with predetermined default values. These data are the typical values loaded in the instrument prior to shipment from factory. To load the default values proceed as follows:

- a) The internal switch should be open.
- b) The upper display will show:

t b 1
d F L t

- f) Press FUNC pushbutton; the display will show:

LOAD

It means that the loading procedure has been initiated.

After about 3 seconds the loading procedure is terminated and the instrument reverts to visualization as in point b.

- c) Push the ▼ pushbutton; the display will show the firmware version.

COnF

COnF
A. 00

- d) Maintaining the pressure on the ▼ pushbutton, push the ▲ pushbutton also. The instrument will show:

OFF
d F L t

- e) Press ▲ pushbutton to select between table 1 (European) or table 2 (American) default set parameters; the display will show:

PARA.	TABLE 1	TABLE 2
SEr 1	ErO	ErO
SEr 2	1	1
SEr 3	19.20	19.20
SEr 4	7E	7E
P1	3	20
P2	----	----
P3	0	0
P4	400	1000
P5	rEL	rEL
P6	rEV	rEV
P7	1	1
P8	Alr	Alr
P9	H.A.	H.A.
P10	OFF	OFF
P11	10	10
P12	0	0
P13	H.A.	H.A.
P14	OPrt.	OPrt
P15	0	0
P16	0.1	0.1

A. 2



P17	0	0
P18	0	0
P19	rEV	rEV
P20	OFF	OFF
P21	rEV	rEV
P22	OFF	OFF
P23	0	0
P24	Not available	Not available
P25	On	On
P26	On	On
P27	2	2
P28	OFF	OFF
P29	30	30
P30	1.5	1.5
P31	1.0	1.0
P32	00.50	00.50
P33	0	0
P34	Not available	Not available
P35	tn 10	tn 30
P36	nO.FL	nO.FL
P37	0	0
P38	0	0
P39	10	10
P40	Pld	Pld
P41	Fn.Sp	Fn.Sp
P42	0	0







Ero Electronic
Via E. Mattei, 21
28100 Novara
Italy
Tel. +39 0321481111
Fax +39 0321481112
www.eroelectronic.com

